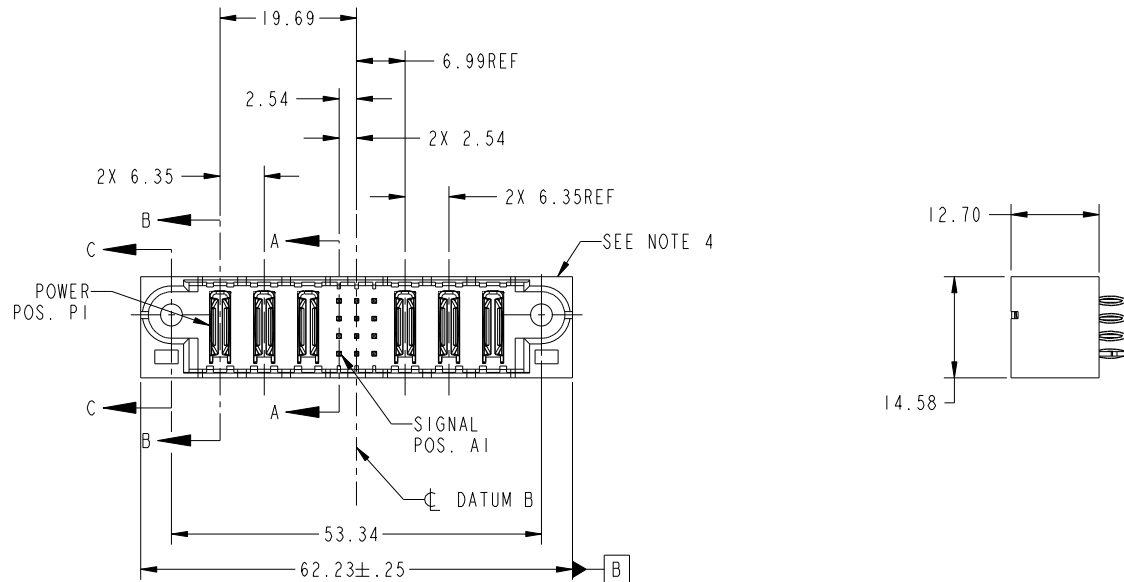


Tous droits strictement reserves. Reproduction ou communication a des tiers interdite sous quelque forme que ce soit sans autorisation écrite du propriétaire. Propriete de c FCI. Droits de reproduction FCI.



All rights strictly reserved. Reproduction or issue to third parties in any form whatever is not permitted without written authority from the proprietor. Property of FCI. Copyright FCI.

PRODUCT NO.	ROWS	POWER			SIG.			POWER			E2	
		E1	P1	P2	P3	1	2	3	P4	P5		P6
51710-018... NOTE: 3	D C B A		PC	PC	PC	G G G K G G	G G G K G G	G G G K G G	PC	PC	PC	



CODE	DIM "M" MATING LENGTH	CONTACT TYPE
HA	[N/A]	HOLD-DOWN
PC	[N/A]	POWER
K	[5.59]	SIGNAL
G	[6.86]	SIGNAL

mat'l code		SEE NOTE		tolerances unless otherwise specified		CUSTOMER		 www.fciconnect.com	
ltr	ecn no.	dr	date	linear	0.X ±0.5	COPY		title	
A	DG06-0018	SW	01/13/06		0.XX ±0.25	projection		3P + 12S + 3P VERTICAL PF HEADER	
B	DG07-0357	JUL IA	09/10/07		0.XXX ±.10			product family	
C	DG08-0273	JW	12/05/08	angles	0° ±2°			PwrBlade	
				dr	STEVEN WANG 01/13/06	scale		code	
				enr	STEVEN WANG 01/13/06	1:1		213	
				chr	BEER FU 01/13/06			sheet	
				appd	JOSEPH HSIA 01/13/06			1 of 4	
sheet index	revision sheet	C	C	C	C			A	
		1	2	3	4			51710-018	

cage code 22526

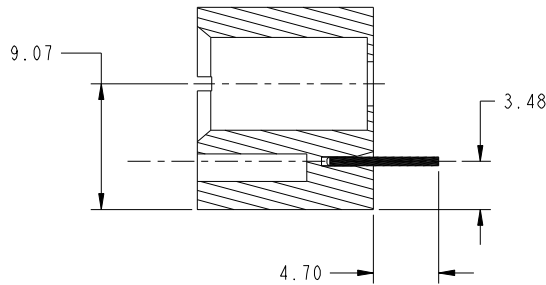
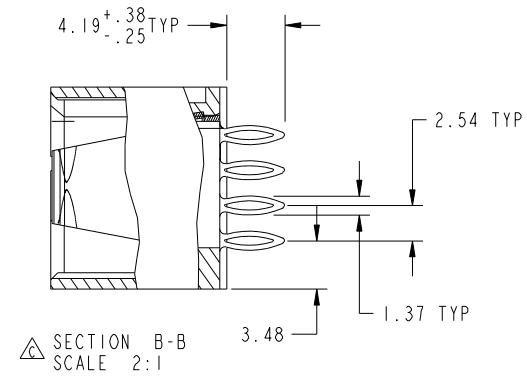
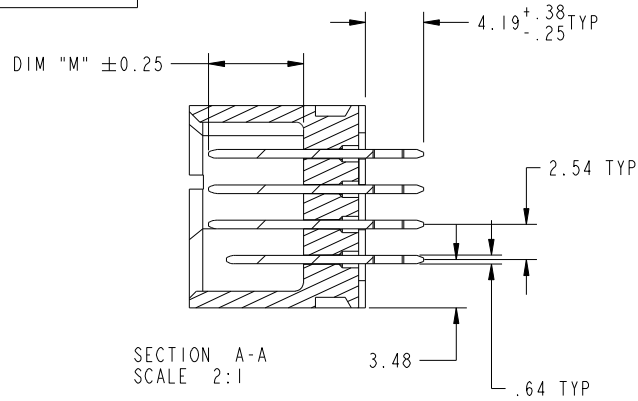
Pro/E

Tous droits strictement reserves. Reproduction ou communication a des tiers interdite sous quelque forme que ce soit sans autorisation ecrite du proprietaire. Propriete de c FCI. Droits de reproduction FCI.



All rights strictly reserved. Reproduction or issue to third parties in any form whatever is not permitted without written authority from the proprietor. Property of FCI. Copyright FCI.

PRODUCT NUMBER
51710-018--
NOTE: 3



mat'l code		SEE NOTE		tolerances unless otherwise specified		CUSTOMER		www.fciconnect.com	
ltr	ecn no.	dr	date	linear	0.X ±0.5	COPY		title	
c					0.XX ±0.25	projection		3P + 12S + 3P VERTICAL PF HEADER	
				angles	0.XXX ±0.10			product family PwrBlade code	
				dr	0° +2°	MIM		213	
				enr	STEVEN WANG 01/13/06			size	
				chr	STEVEN WANG 01/13/06	scale		dwg no	
				appd	BEER FU 01/13/06	1:1		51710-018	
					JOSEPH HSIA 01/13/06			sheet	
sheet index		revision sheet						2	

cage code 22526

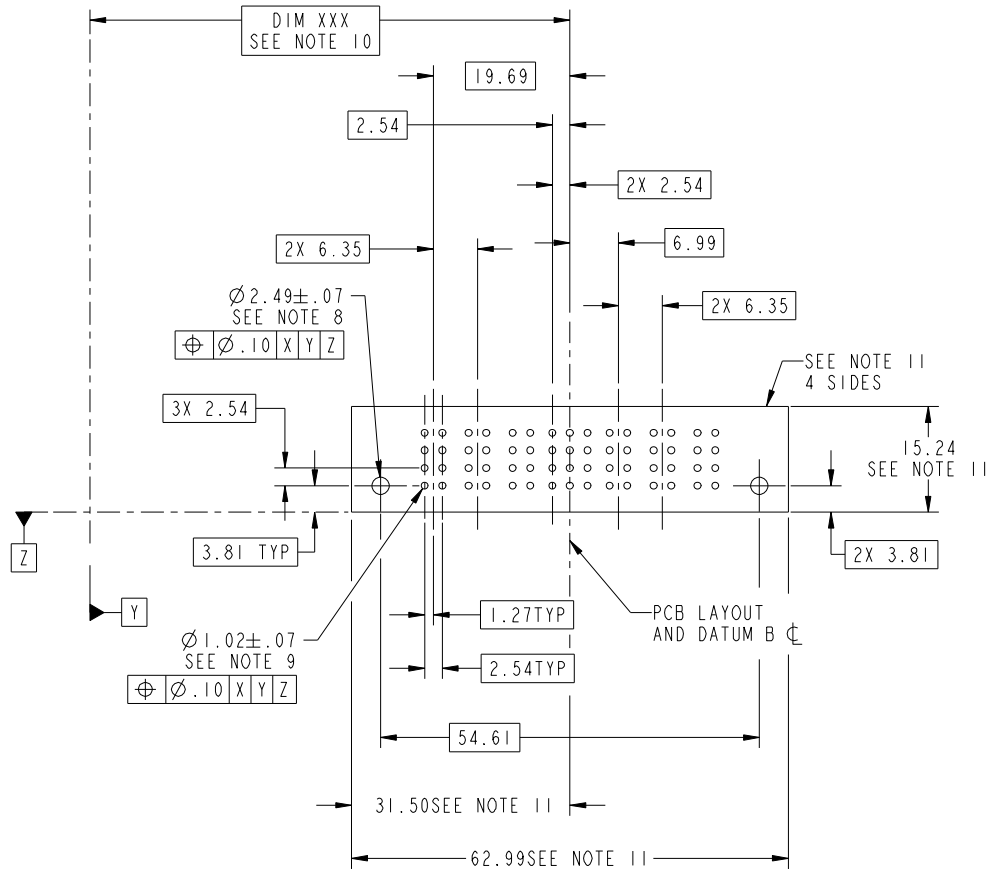
Pro/E

Tous droits strictement reserves. Reproduction ou communication a des tiers interdite sous quelque forme que ce soit sans autorisation écrite du propriétaire. Propriete de c FCI. Droits de reproduction FCI.



All rights strictly reserved. Reproduction or issue to third parties in any form whatever is not permitted without written authority from the proprietor. Property of FCI. Copyright FCI.

PRODUCT NUMBER
51710-018--
NOTE: 3



mat'l code		SEE NOTE		tolerances unless otherwise specified		CUSTOMER		www.fciconnect.com	
ltr	ecn no.	dr	date	linear	0.X ± 0.5	COPY		title	
C					0.XX ± 0.25	projection		3P + 12S + 3P VERTICAL PF HEADER	
				angles	0.XXX ± 0.10			product family PwrBlade code	
		dr	STEVEN WANG	0° + 2°		MIM		size	
		enr	STEVEN WANG					dwg no	
		chr	BEER FU			scale		213	
		appd	JOSEPH HSIA			1:1		sheet	
sheet index		revision sheet						3	

cage code 22526

Pro/E

Tous droits strictement reserves. Reproduction ou communication a des tiers interdite sous quelque forme que ce soit sans autorisation écrite du propriétaire. Propriete de c FCI. Droits de reproduction FCI.



All rights strictly reserved. Reproduction or issue to third parties in any form whatever is not permitted without written authority from the proprietor. Property of FCI. Copyright FCI.

PRODUCT NUMBER
51710-018--
NOTE: 3

NOTES:

1. DIMENSIONS AND TOLERANCES ARE IN ACCORDANCE WITH ASME Y14.5M, 1994 UNLESS OTHERWISE SPECIFIED.

CONNECTOR NOTES:

2 HOUSING MATERIAL: UL 94 V-0 GLASS FILLED HIGH-TEMP THERMOPLASTIC
POWER CONTACT MATERIAL: COPPER ALLOY
SIGNAL PIN MATERIAL: COPPER ALLOY

3. PLATING:
SEE ITEM 3 & 4 IN PRINT 10064183 FOR PLATING SPEC OF 51710-018; 51710-018LF PRESPECTIVELY

4 MANUFACTURER'S NAME, P/N, AND DATE CODE TO APPEAR ON THIS SURFACE.

5. PRODUCT SPECIFICATION GS-12-149.
APPLICATION SPECIFICATION BUS-20-067.

6. PACKAGED IN TRAYS.

PCB NOTES:

7. ALL HOLE DIAMETERS ARE FINISHED HOLE SIZE.

8. MOUNTING HOLES, WHERE APPLICABLE, ARE UNPLATED.

9 $\varnothing 1.151 \pm 0.025$ DRILLED HOLES PLATED WITH 0.008 MIN SnPb OR Sn OVER 0.03 TO 0.08 Cu PLATING TO ACHIEVE $\varnothing 1.02 \pm .07$ HOLE.

10 "DIM XXX" TO BE DETERMINED BY THE CUSTOMER.

11 CONNECTOR KEEP-OUT ZONE.

12. FOR PRESS FIT APPLICATION USE FCI CAM TOOL 430169-XXX.

13. A Δ SYMBOL WILL BE NEXT TO ANY DIMENSION, VIEW, OR NOTE WHICH HAS BEEN MODIFIED WITH THE CURRENT DRAWING REVISION.

mat'l code		SEE NOTE		tolerances unless otherwise specified		CUSTOMER		www.fciconnect.com	
ltr	ecn no.	dr	date	linear	0.X ± 0.5	COPY		title 3P + 12S + 3P VERTICAL PF HEADER	
C					0.XX ± 0.25	projection			
				angles	0.XXX ± 0.10				
				dr	STEVEN WANG 01/13/06	MIM		product family	PwrBlade
				enr	STEVEN WANG 01/13/06			size	code
				chr	BEER FU 01/13/06	scale		dwg no	213
				appd	JOSEPH HSIA 01/13/06	1:1		sheet	4
sheet index	revision sheet								

cage code 22526

Pro/E

X-ON Electronics

Largest Supplier of Electrical and Electronic Components

Click to view similar products for [Heavy Duty Power Connectors](#) category:

Click to view products by [FCT Electronics](#) manufacturer:

Other Similar products are found below :

[1424439](#) [1424438](#) [09330062652](#) [2-8675P1](#) [580129-2](#) [605601-1](#) [6340G1](#) [6341G1](#) [6360G1](#) [6373G1](#) [6374g2](#) [6396G1](#) [647757-1](#) [66394-4](#)
[6643411-1](#) [6646058-2](#) [6646137-1](#) [6646138-1](#) [6646348-1](#) [6646479-1](#) [6646608-1](#) [6646786-1](#) [6646940-1](#) [6651091-1](#) [6651525-1](#) [6651529-1](#)
[6651778-1](#) [6651788-1](#) [696465-1](#) [696475-1](#) [73000005059](#) [73000005349](#) [73000005642](#) [73080255059](#) [73080965046](#) [765-15-0080A](#)
[765-16-0080B](#) [789.700-44](#) [789.700-54](#) [80-1010](#) [80-9](#) [827381-1](#) [829992-1](#) [902-77-02113](#) [PL00U-301-10D10](#) [PM103MOOLOO](#)
[PM16S1620S32-50](#) [PM212MOOLOO](#) [PM309FOOLOO](#) [PM324FOOLCH](#)