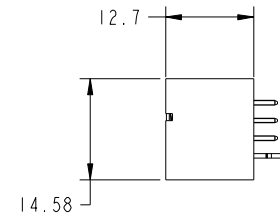
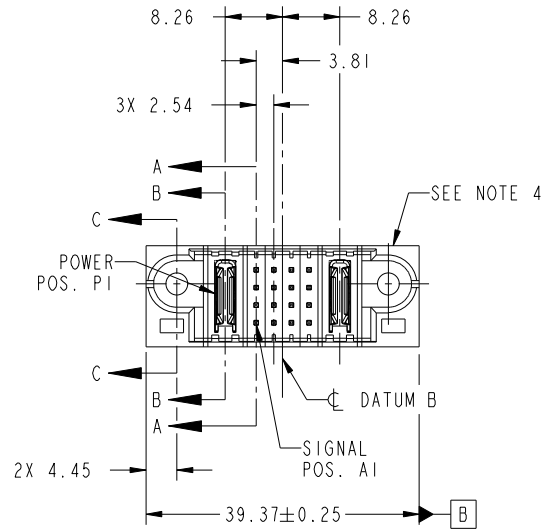


Tous droits strictement reserves. Reproduction ou communication a des tiers interdite sous quelque forme que ce soit sans autorisation écrite du propriétaire. Propriete de c FCI. Droits de reproduction FCI.



All rights strictly reserved. Reproduction or issue to third parties in any form whatever is not permitted without written authority from the proprietor. Property of FCI. Copyright FCI.

PRODUCT NO.	ROWS	POWER		SIGNAL				POWER	
		E1	P1	1	2	3	4	P2	E2
51710-036-- NOTE ③	D C B A								



CODE	DIM "M" MATING LENGTH	CONTACT TYPE
PA	[N/A]	POWER
E	[6.86]	SIGNAL
HA	[N/A]	HOLD-DOWN
H	[5.59]	SIGNAL

mat'l code				tolerances unless otherwise specified		CUSTOMER		
ltr	ecn no.	dr	date	linear	0.X ±0.5	COPY	www.fciconnect.com	
A	DG09-0305	JW	09/16/09	angles	0.XX ±0.25	projection	title IP + 16S + IP VERTICAL SOLDER HEADER	
				dr	0.XXX ±0.1		product family PwrBlade code 213	
				enr	0° ±2°	MIM	size	dwg no 51710-036 sheet 1 of 4
				chr		scale 1:1		
				appd				
sheet index	revision sheet	A 1	A 2	A 3	A 4			

cage code 22526

Tous droits strictement reserves. Reproduction ou communication a des tiers interdite sous quelque forme que ce soit sans autorisation ecrite du proprietaire. Propriete de c FCI. Droits de reproduction FCI.

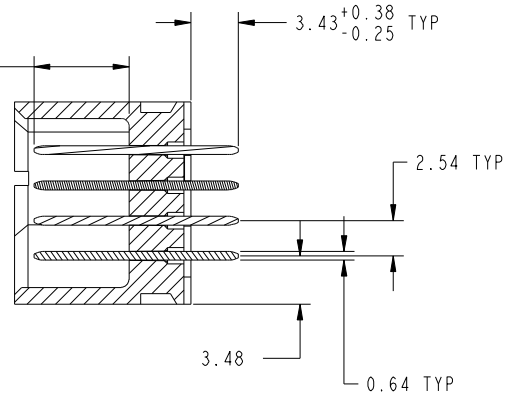
All rights strictly reserved. Reproduction or issue to third parties in any form whatever is not permitted without written authority from the proprietor. Property of FCI. Copyright FCI.



PRODUCT NUMBER  
51710-036--  
NOTE 3

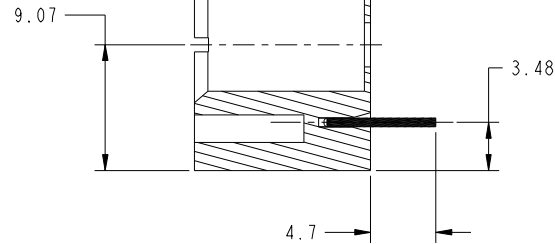
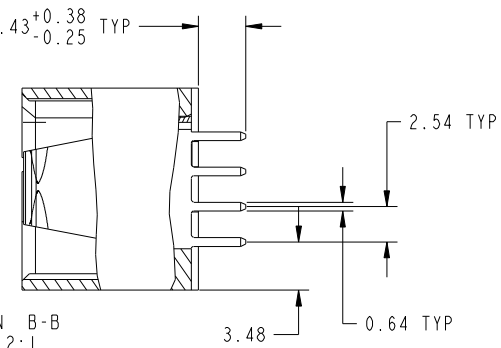
DIM "M" ±0.25

SECTION A-A  
SCALE 2:1



3.43 +0.38 / -0.25 TYP

SECTION B-B  
SCALE 2:1



SECTION C-C  
SCALE 2:1

mat'l code				tolerances unless otherwise specified		CUSTOMER		FCI	
ltr	ecn no.	dr	date	linear	0.X ±0.5	COPY		www.fciconnect.com	
A				linear	0.XX ±0.25	projection		title	
				angles	0.XXX ±0.1			IP + 16S + IP VERTICAL SOLDER HEADER	
				dr	0° ±2°			product family PwrBlade code	
				enr	JULIA WANG 09/14/09	scale		size	
				chr	JULIA WANG 09/14/09	1:1		dwg no	
				appd	PM ZHENG 09/14/09			51710-036	
					JOSEPH HSIA 09/14/09			sheet	
sheet index		revision sheet						2 of 4	
								2 of 4	

cage code 22526

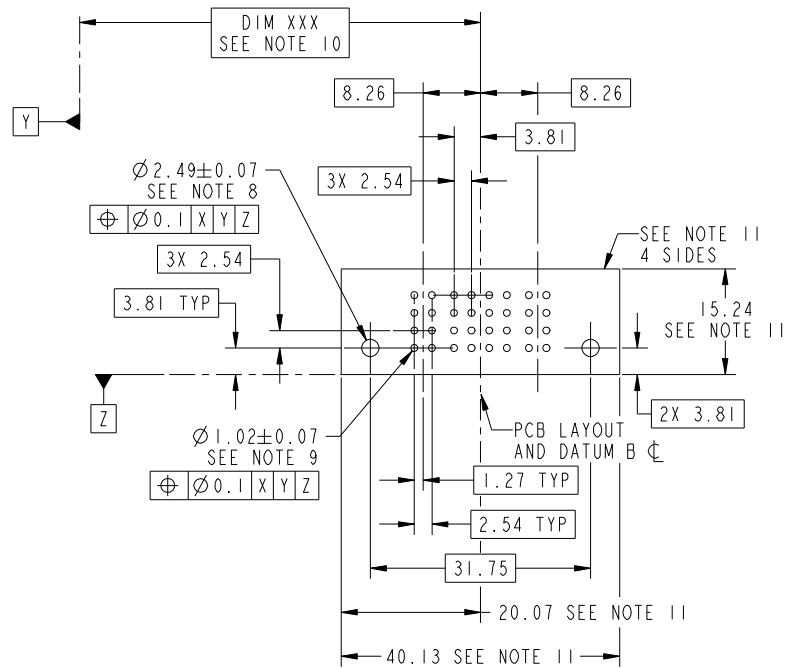
Pro/E

Tous droits strictement reserves. Reproduction ou communication a des tiers interdite sous quelque forme que ce soit sans autorisation écrite du propriétaire. Propriete de c FCI. Droits de reproduction FCI.



All rights strictly reserved. Reproduction or issue to third parties in any form whatever is not permitted without written authority from the proprietor. Property of FCI. Copyright FCI.

PRODUCT NUMBER  
51710-036--  
NOTE 3



mat'l code				tolerances unless otherwise specified		CUSTOMER		FCI	
ltr	ecn no.	dr	date	linear	0.X ± 0.5	COPY		www.fciconnect.com	
A					0.XX ± 0.25	projection		title	
				angles	0.XXX ± 0.1			IP + 16S + IP VERTICAL SOLDER HEADER	
		dr	JULIA WANG	09/14/09	0° ± 2°			product family PwrBlade code 213	
		enr	JULIA WANG	09/14/09				size dwg no 213	
		chr	PM ZHENG	09/14/09		scale 1:1		sheet 3 of 4	
		appd	JOSEPH HSIA	09/14/09		A		51710-036	
sheet index	revision sheet								

cage code 22526

Pro/E

Tous droits strictement reserves. Reproduction ou communication a des tiers interdite sous quelque forme que ce soit sans autorisation écrite du propriétaire. Propriete de c FCI. Droits de reproduction FCI.

All rights strictly reserved. Reproduction or issue to third parties in any form whatever is not permitted without written authority from the proprietor. Property of FCI. Copyright FCI.



PRODUCT NUMBER  
51710-036--  
NOTE 3

NOTES:

1. DIMENSIONS AND TOLERANCES ARE IN ACCORDANCE WITH ASME Y14.5M, 1994 UNLESS OTHERWISE SPECIFIED.

CONNECTOR NOTES:

- 2 HOUSING MATERIAL: UL 94 V-0 GLASS FILLED  
HIGH-TEMP THERMOPLASTIC  
POWER CONTACT MATERIAL: COPPER ALLOY  
SIGNAL PIN MATERIAL: COPPER ALLOY
  - 3. PLATING:  
SEE ITEM 1 & 2 IN PRINT 10064183 FOR PLATING SPEC. OF 51710-036 ,51710-036LF RESPECTIVELY.
  - 4 MANUFACTURER'S NAME, P/N, AND DATE CODE TO APPEAR ON THIS SURFACE.
  - 5. PRODUCT SPECIFICATION GS-12-149.  
APPLICATION SPECIFICATION BUS-20-067.
  - 6. PACKAGED IN TRAYS.
- PCB NOTES:
- 7. ALL HOLE DIAMETERS ARE FINISHED HOLE SIZE.
  - 8. MOUNTING HOLES, WHERE APPLICABLE, ARE UNPLATED.
  - 9  $\varnothing 1.151 \pm 0.025$  DRILLED HOLES PLATED WITH  
0.008 MIN SnPb OR Sn OVER .001 [0.03]  
TO 0.08 Cu PLATING TO ACHIEVE  
 $\varnothing 1.02 \pm .07$  HOLE.
  - 10 "DIM XXX" TO BE DETERMINED BY THE CUSTOMER.
  - 11 CONNECTOR KEEP-OUT ZONE.

mat'l code				tolerances unless otherwise specified		CUSTOMER		FCI		www.fciconnect.com		
ltr	ecn no.	dr	date	linear	COPY		projection	title				
A					$0.X \pm 0.5$	MIM		IP + 16S + 1P VERTICAL SOLDER HEADER				
					$0.XX \pm 0.25$	← MIM →		product family		PwrBlade	code	
				angles	$0^\circ \pm 2^\circ$	scale		size	dwg no		213	
				dr	JULIA WANG	09/14/09	1:1	A	51710-036		sheet	
				enr	JULIA WANG	09/14/09			4 of 4			
				chr	PM ZHENG	09/14/09						
				appd	JOSEPH HSIA	09/14/09						
sheet index	revision sheet											

cage code 22526

Pro/E

## **X-ON Electronics**

Largest Supplier of Electrical and Electronic Components

*Click to view similar products for [fct electronics manufacturer](#):*

Other Similar products are found below :

[F2W2SC-1002](#) [FMK3-K201](#) [FT2W2SC-K121](#) [K761](#) [24P104C24P1-006](#) [SDB15P159S-060](#) [SHD15P15S-012](#) [SHD15P15S-036](#) [FU27W2S7-K121](#) [2761](#) [ICD040GVP163D-03](#) [ICD040GVP163D-25](#) [10056427-1050011LF](#) [155298-002](#) [155286-001](#) [172704-0016](#) [173112-0413](#)  
[173109-0036](#) [111-0098-994](#) [173107-0568](#) [FM24W7P-K120](#) [FWDR15S](#) [RB09P09P-006](#) [FLW0915S7](#) [FT2W2PC-K120](#) [25P203C25P2-003](#)  
[K1003](#) [10112041-2020HLF](#) [173112-0077](#) [173112-0074](#) [173114-0092](#) [10046971-019LF](#) [10093084-2010LF](#) [FWDR09S1](#) [SHD26P26S-012](#)  
[FKT5](#) [FWDR15P](#) [74977-101001LF](#) [FM25W3PA-K120](#) [173112-0073](#) [151-2811-010](#) [91910-21169LF](#) [SHD15P15S-060](#) [FKC3GNME](#) [CT50-78P7](#) [HM2R89PA8100N9LF](#) [FM27W2SA-K121](#) [173113-0152](#) [73231-1321](#) [168-2829-034](#)