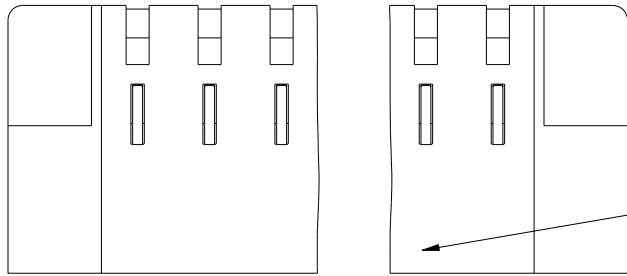


Tous droits strictement réservés. Reproduction ou communication a des tiers interdite sous quelque forme que ce soit sans autorisation écrite du propriétaire. Propriété de c FCI. Droits de reproduction FCI.

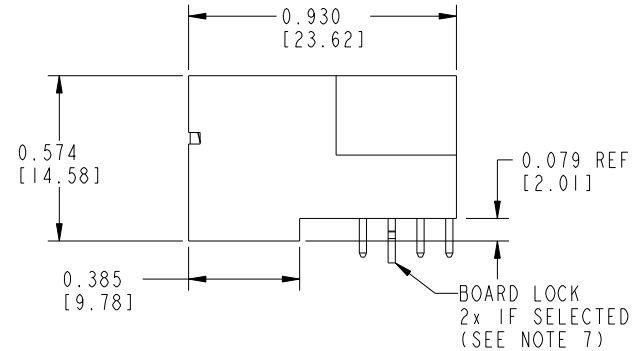
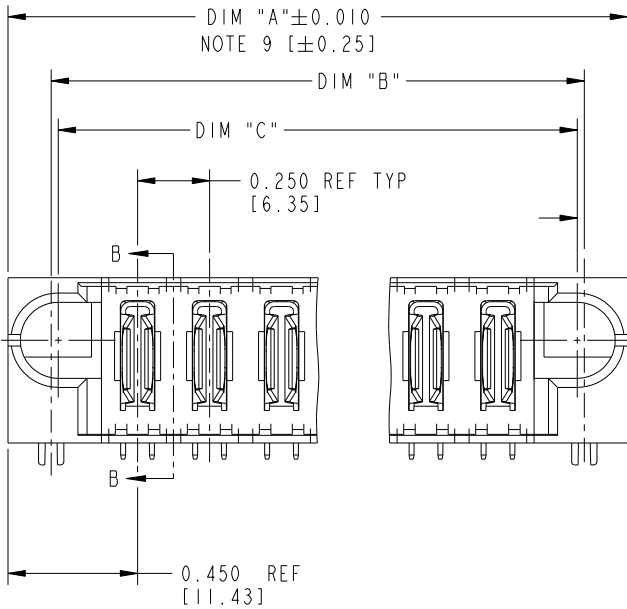
All rights strictly reserved. Reproduction or issue to third parties in any form whatever is not permitted without written authority from the proprietor. Property of FCI. Copyright FCI.



PRODUCT NUMBER  
51723-ABB00000EF --  
Note: ①  
SEE NOTE 1



SEE NOTE 8



mat'l code				SEE NOTE 2		tolerances unless otherwise specified		CUSTOMER		 www.fciconnect.com	
ltr	ecn no.	dr	date	linear	.XX±.01/.X±.3		COPY		 title RIGHT ANGLE HEADER w/GUIDE PIN POWER		
A	V02387	JRW	10/03/00		.XXX±.005/.XX±.13		projection				
B	V12845	JWS	1/4/02	angles	.XXX±.0020/.XXX±.051		 INCH/MM		product family PWRBLADE code 213		
C	DG05-0132	SJ	06/02/05		0°±2°		scale 3:2		sheet 1 of 3		
D	DG05-0371	JMG	07/27/06	dr	LEV4	10/14/99	A 51723				
E	DG08-0237	W D	09/01/08	engr	J. BROWN	10/14/99					
F	DG08-0272	W D	09/25/08	chr	J. BROWN	10/14/99					
sheet index		revision sheet		F	F	F					
				1	2	3					

Pro/E

PDM: Rev:F

STATUS: Released

Printed: Dec 20, 2010

cage code 22526



1 | 2

3 |

4

PRODUCT NUMBER
51723-ABB00000EF -- Note: ①
SEE NOTE 1

DIM	LENGTH FORMULAS (SEE NOTE 9)
DIM "A"	.250 [6.35] x BB + .650 [16.51] (NOTE 9)
DIM "B"	.250 [6.35] x BB + .350 [8.89]
DIM "C"	.250 [6.35] x BB + .300 [7.62]
DIM "F"	.250 [6.35] x BB + .680 [17.27]

CONNECTOR NOTES:

- ①. PRODUCT NUMBER CODE:  
51723 - A BB 000 00 E F LF
- NO THIS SUFFIX: 100u"/2.54um SnPb ON PCB INTERFACE
  - ADD THIS SUFFIX: 78u"/2.00um Sn ON PCB INTERFACE
  - RETENTION TO PCB (NOTE 7)
  - TAIL OPTIONS (NOTE 6)
  - ALWAYS '00' (ZERO,ZERO)
  - ALWAYS '000' (ZERO,ZERO,ZERO) (NOTE 5)
  - NUMBER OF POWER CONTACTS (NOTE 4)
  - PLATING (NOTE 3)
  - BASE NUMBER

- ②. HOUSING MATERIAL: GLASS FILLED V-0 HIGH TEMP THERMO PLASTIC  
POWER CONTACT MATERIAL: COPPER ALLOY
- ③. PLATING OPTION:  
SEE PRINT OF 10064183 FOR PLATING SPEC OF 51723-1BB00000EF; 51723-1BB00000EFLF
- ④. POWER CONTACTS, 01 TO 20 AVAILABLE.  
MAXIMUM OF 20 POWER CONTACTS PER CONNECTOR
- ⑤. THIS PART IS NOT AVAILABLE WITH SIGNAL CONTACTS.
- ⑥. TAIL OPTIONS:  
A = .135±0.010 [3.43±0.25] SOLDER TO BOARD  
C = .135±0.010 [3.43±0.25] PRESS FIT

- ⑦. RETENTION TO PCB OPTIONS:  
A = BOARD LOCK (REQUIRES .098 + 0.002, - 0.001 [2.49 + 0.05, - 0.03] THRU HOLE IN PCB).  
B = 0.150 [3.81] THRU HOLE (REQUIRES 0.158±0.003 [4.01±0.08] THRU HOLE IN PCB).
- ⑧. MANUFACTURE'S NAME, P/N, AND DATE CODE TO APPEAR ON THIS SURFACE.
- ⑨. THE MAXIMUM OVERALL LENGTH (DIM A) OF A PART IS 8.00 [203.2].
10. PRODUCT SPECIFICATION GS-12-149.
11. REFERENCE 51697 FOR SPECIALS WORKSHEET.
- PCB NOTES:
12. ALL DIMENSIONS ARE BASIC UNLESS OTHERWISE SPECIFIED.
13. ALL THROUGH HOLES ARE LOCATED WITH A TRUE POSITION OF 0.004 [0.10].
14. ALL HOLE DIAMETERS ARE FINISHED HOLE SIZE.
15. Ø0.0453±0.001 [1.151±0.02] DRILLED HOLES PLATED WITH 0.0003 [0.007] MIN SnPb OVER 0.001 [0.03] TO 0.003 [0.08] PLATING TO ACHIEVE A 0.040±0.003 [1.02±0.08] HOLE.
16. A  $\triangle$ SYMBOL WILL BE NEXT TO ANY DIMENSION, VIEW, OR NOTE WHICH HAS BEEN MODIFIED WITH THE CURRENT DRAWING REVISION.

A

A

B

B

mat'l code				SEE NOTE 2		tolerances unless otherwise specified		CUSTOMER		FCI		www.fciconnect.com	
lfr	ecn no.	dr	date	linear	.XX±.01/.X±.3		COPY		title RIGHT ANGLE HEADER w/GUIDE PIN POWER 				
F					.XXX±.005/.XX±.13		projection						
					.XXX±.0020/.XXX±.051								
				angles	0°±2°		INCH/MM		product family PWRBLADE		code 213		
				dr	LEV4	10/14/99	scale 3:2		size A		sheet 2 of 3		
				engr	J. BROWN	10/14/99			dwg no 51723				
				chr	J. BROWN	10/14/99							
				appd	J. BROWN	10/14/99							
sheet index	revision sheet												

1 | 2

Pro/E

PDM: Rev:F

STAT: Released

Printed: Dec 20, 2010

cage code 28556

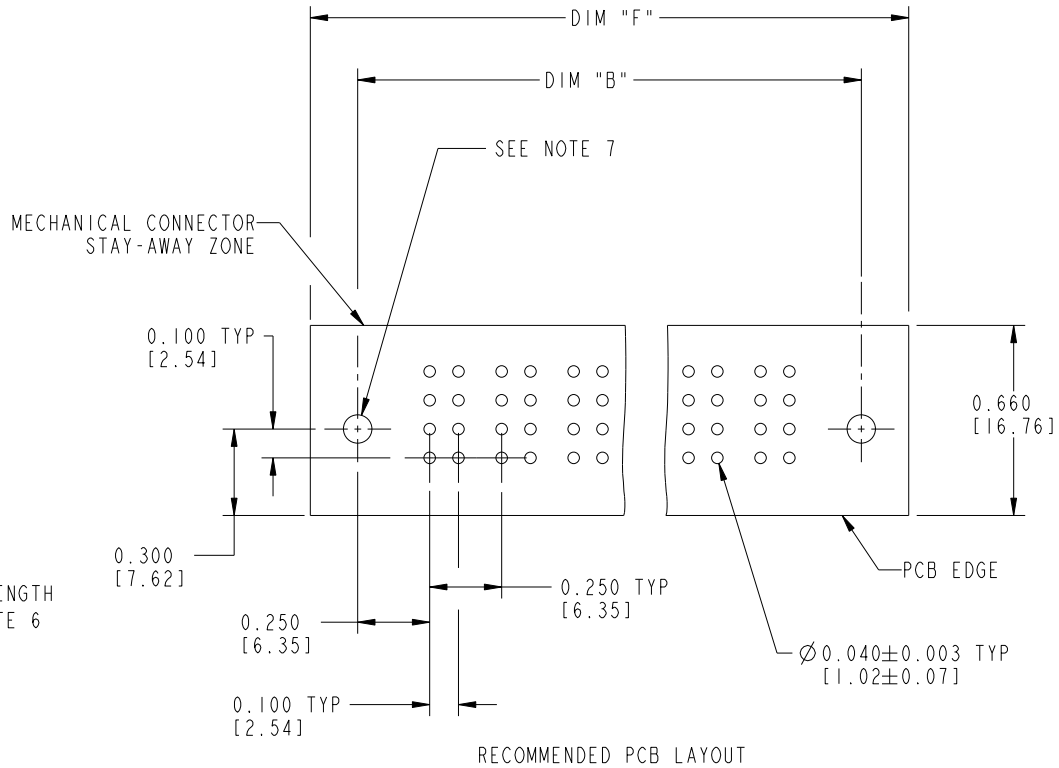
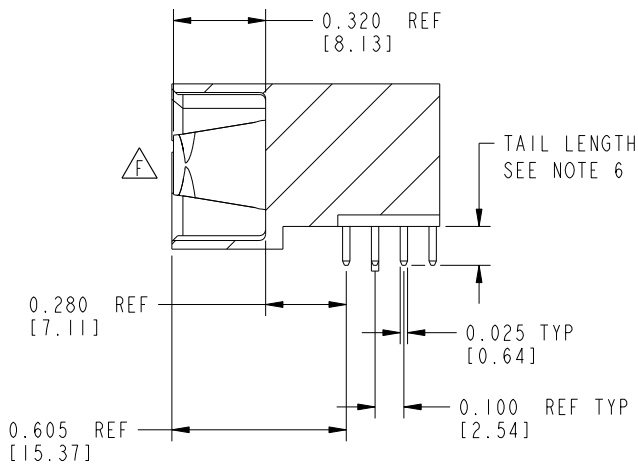
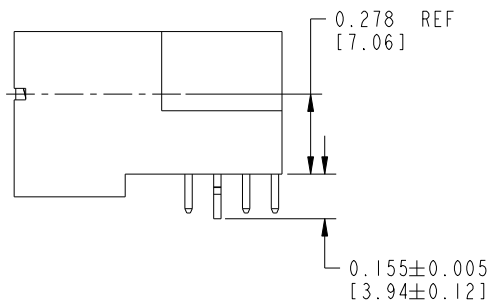
4

Tous droits strictement réservés. Reproduction ou communication a des tiers interdite sous quelque forme que ce soit sans autorisation écrite du propriétaire. Propriété de c FCI. Droits de reproduction FCI.

All rights strictly reserved. Reproduction or issue to third parties in any form whatever is not permitted without written authority from the proprietor. Property of FCI. Copyright FCI.



PRODUCT NUMBER  
51723-ABB00000EF--  
Note: ①



SECTION B-B

mat'l code		SEE NOTE 2		tolerances unless otherwise specified		CUSTOMER		FCI	
ltr	ecn no.	dr	date	linear	.XX±.01/.X±.3	COPY		www.fciconnect.com	
F				angles	.XXX±.005/.XX±.13	projection		title	
				dr	.XXX±.0020/.XXX±.051	INCH/MM		RIGHT ANGLE HEADER w/GUIDE PIN POWER	
				enrg	0°±2°	scale		product family	
				chr		3:2		PWRBLADE	
				appd		A		code	
sheet index		revision sheet		LEV4		51723		213	
				10/14/99				sheet	
				10/14/99				3 of 3	
				10/14/99					

Pro/E

PDM: Rev:F

STATUS: Released

Printed: Dec 20, 2010

## X-ON Electronics

Largest Supplier of Electrical and Electronic Components

*Click to view similar products for [fct electronics manufacturer](#):*

Other Similar products are found below :

[F2W2SC-1002](#) [FMK3-K201](#) [FT2W2SC-K121](#) [K761](#) [24P104C24P1-006](#) [SDB15P159S-060](#) [SHD15P15S-012](#) [SHD15P15S-036](#) [FU27W2S7-K121](#) [2761](#) [ICD040GVP163D-03](#) [ICD040GVP163D-25](#) [10056427-1050011LF](#) [155298-002](#) [155286-001](#) [172704-0016](#) [173112-0413](#)  
[173109-0036](#) [111-0098-994](#) [173107-0568](#) [FM24W7P-K120](#) [FWDR15S](#) [RB09P09P-006](#) [FLW0915S7](#) [FT2W2PC-K120](#) [25P203C25P2-003](#)  
[K1003](#) [10112041-2020HLF](#) [173112-0077](#) [173112-0074](#) [173114-0092](#) [10046971-019LF](#) [10093084-2010LF](#) [FWDR09S1](#) [SHD26P26S-012](#)  
[FKT5](#) [FWDR15P](#) [74977-101001LF](#) [FM25W3PA-K120](#) [173112-0073](#) [151-2811-010](#) [91910-21169LF](#) [SHD15P15S-060](#) [FKC3GNME](#) [CT50-78P7](#) [HM2R89PA8100N9LF](#) [FM27W2SA-K121](#) [173113-0152](#) [73231-1321](#) [168-2829-034](#)