



THIS SERIES FULLY CONFORMS TO THE EUROPEAN UNION DIRECTIVES 2002/95/EC AND 2002/96/EC FOR ROHS COMPLIANCY.



MH CONNECTORS LTD.

DRAWING No MHDBC09/15/25/37-SP		
SCALE 1:1	SHEET OF 1 OF 1	REV: 1
APPROVED Johnny	DATE 12-20-12	DRAWN DATE 12-20-12

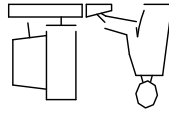
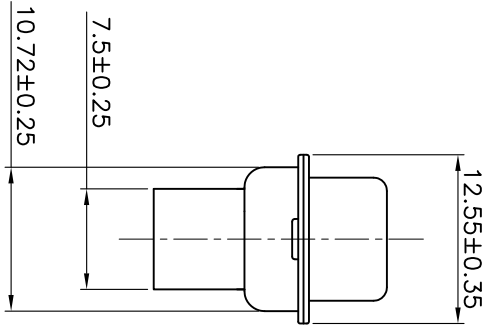
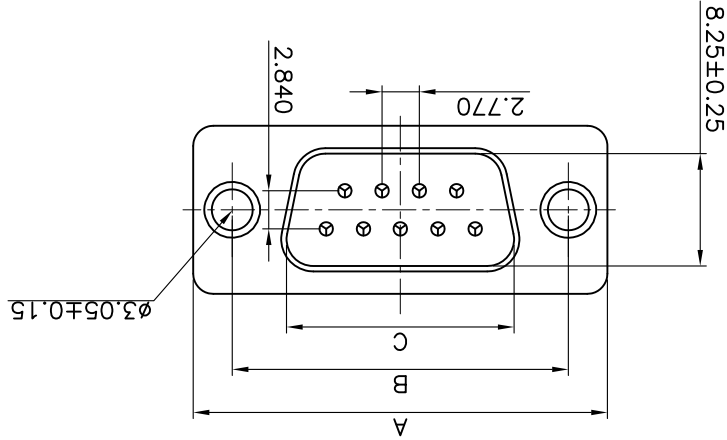
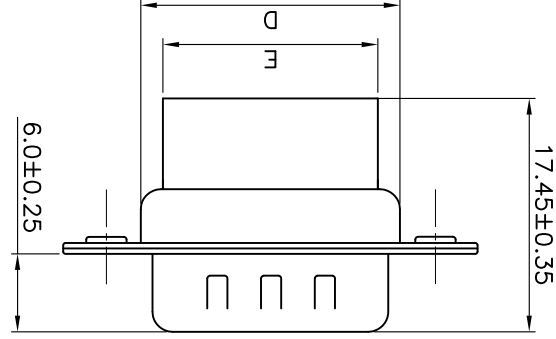
THESE DRAWINGS AND SPECIFICATIONS ARE THE PROPERTY OF MH CONNECTORS LTD. AND SHALL NOT BE REPRODUCED, COPIED OR USED AS THE BASIS FOR THE MANUFACTURE OR SALE OF APPARATUS WITHOUT WRITTEN PERMISSION.

PIN	A±0.25	B±0.25	C±0.25	D±0.25	E±0.25	F±0.25
09	30.81	24.99	16.92	19.28	15.50	15.50
15	39.25	33.32	25.25	27.75	24.00	24.00
25	53.03	47.04	38.96	41.30	38.00	38.00
37	69.50	63.50	55.42	57.40	54.40	54.40

NOTES:

1. SPECIFICATION:
 Rated voltage:250V
 Rated current:3AMP
 Contact resistance:30mΩ MAX
 Insulation resistance:1000MΩ MIN.at 500V DC
 Withstand voltage:500V Per minute
 Temperature range:-55 -105°C

2. MATERIAL:
 Plastic:PB+30% G.F (UL94V-0) BLACK
 Shell:Spcc front shell nickel plated , back shell tin plated



* UNLESS OTHERWISE SPECIFIED TOLERANCES ON DECIMAL IS: ANGLE ± 1°
 X ± 0.35
 XX ± 0.25
 .XXX ± 0.15

THIS IS A C.A.D. GENERATED DRAWING
 DO NOT MAKE MANUAL REVISIONS TO MASTER.

X-ON Electronics

Largest Supplier of Electrical and Electronic Components

Click to view similar products for [D-Sub Standard Connectors](#) category:

Click to view products by [MH Connectors](#) manufacturer:

Other Similar products are found below :

[DCM37S732N](#) [DAM15P500](#) [DEV09S364GTLF](#) [DEM09P032N](#) [DDM50P732N](#) [DAM15S332N](#) [173109-2218](#) [173109-2466](#) [173109-2436](#)
[173109-2435](#) [56F706-005-LI](#) [56F711-015](#) [015-0341-000](#) [015-0372-008](#) [015-8544-011](#) [017041-0005](#) [020419-0104](#) [012-0515-000](#) [012-9507-](#)
[034](#) [012-9507-114](#) [012-9534-001](#) [020745-0008](#) [609-25P](#) [M24308/2-23Z](#) [M243082310F](#) [M243082410F](#) [M243082411F](#) [M24308/4-21](#)
[CT1A18-11PSA206](#) [CT1N36-5SC](#) [CT2-16S-17PS](#) [CT2-20-15PCAU](#) [CT2-24-12PS](#) [CT2-24-28PSF127A206](#) [CT2-32-9PC](#) [CT6F9767-14-4-](#)
[14S-5PC](#) [CT6FA10SL-4PS](#) [CT7-18-10SC](#) [CT7-18-10SCAU](#) [CT7-18-12SCAU](#) [CT7-18-1PC](#) [CT7-18-1PCAU](#) [CT7-18-21SCAU](#) [M83513/01-](#)
[FC](#) [M83723/76W24619 L/C](#) [M85049/48-3-2F](#) [69001-865](#) [6STD09PCM99B70X](#) [6STD09SCM99B30X](#) [6STD09SCT99S40X](#)