



THIS SERIES FULLY CONFORMS TO THE EUROPEAN UNION DIRECTIVES 2002/95/EC AND 2002/96/EC FOR ROHS COMPLIANCY.



MH CONNECTORS LTD.

MHDCMR-XX-RA-K

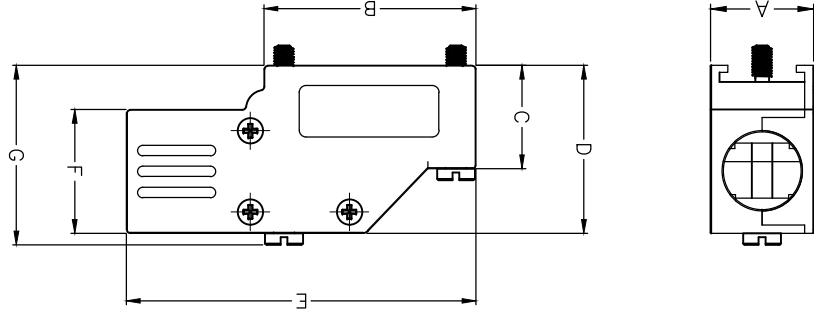
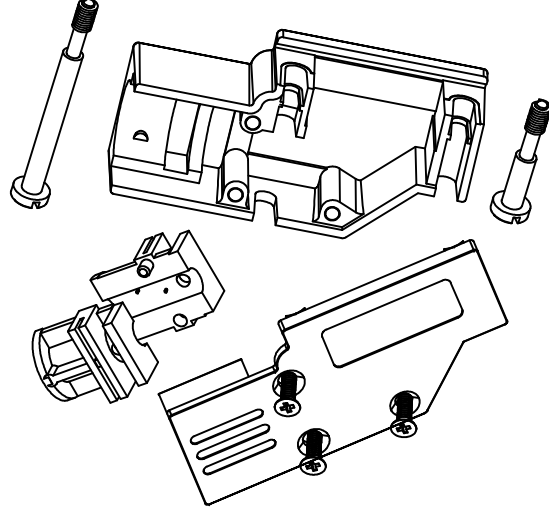
DRAWING No

|          |     |        |      |
|----------|-----|--------|------|
| SCALE    | 1:1 | 1 OF 1 | REV: |
| SHEET OF | 1   | 3.0    |      |

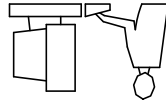
|      |          |          |        |
|------|----------|----------|--------|
| DATE | 02-24-13 | APPROVED | JDHNNY |
| DATE | 03-10-14 | APPROVED | DAMIEN |

THESE DRAWINGS AND SPECIFICATIONS ARE THE PROPERTY OF MH CONNECTORS LTD. AND SHALL NOT BE REPRODUCED, COPIED OR USED AS THE BASIS FOR THE MANUFACTURE OR SALE OF APPARATUS WITHOUT WRITTEN PERMISSION.

BACKSHELL MATERIAL: DIE CAST ZINC ALLOY  
 PLATING: NICKEL PLATED  
 4-40 THUMBSCREWS: STEEL-Zn PLATED  
 HOUSING SCREWS: STEEL-Zn PLATED  
 COMPRESSION INSERT: ABS,UL RECOGNIZED  
 OPERATING TEMP: -40C TO+120C



THIS IS A CAD GENERATED DRAWING  
 DO NOT MAKE MANUAL REVISIONS TO MASTER.  
 BACKSHELL KIT INCLUDES:  
 (2)BACKSHELL HALVES  
 (3)HOUSING SCREWS  
 (1)4-40 LONG THUMBSCREWS  
 (1)4-40 SHORT THUMBSCREWS  
 (1)SET OF COMPRESSION INSERTS-VARIOUS SIZES  
 DIAMETERS 4mm(.157"), 5mm(.167"), 7mm(.276"), 9mm(.354")



ORDERING INFORMATION:

|        |              |              |                |
|--------|--------------|--------------|----------------|
| SIZE   | P/N - KITTED | 6560-0501-01 | MHDCMR-09-RA-K |
| 9-WAY  |              |              |                |
| 25-WAY |              |              |                |
| SIZE   | P/N - KITTED | 6561-0501-01 | MHDCMR-09-RA   |
| 9-WAY  |              |              |                |
| 25-WAY |              |              |                |

| SIZE |      | A     | B     | C     | D     | E     | F     | G     |
|------|------|-------|-------|-------|-------|-------|-------|-------|
| 9    | 15.0 | ±1.20 | ±1.20 | ±0.80 | ±0.80 | ±0.80 | ±0.80 | ±0.80 |
|      | 30.8 | ±0.47 | ±0.47 | ±0.51 | ±0.51 | ±0.51 | ±0.51 | ±0.51 |
| 25   | 15.8 | ±0.62 | ±0.62 | ±0.91 | ±0.91 | ±0.91 | ±0.91 | ±0.91 |
|      | 53.3 | ±0.62 | ±0.62 | ±0.91 | ±0.91 | ±0.91 | ±0.91 | ±0.91 |

DIMENSIONS(mm/in)

\* UNLESS OTHERWISE SPECIFIED TOLERANCES ON DECIMAL IS: ANGLE ± 1°  
 UNITS: MM  
 XX ± 0.35

## X-ON Electronics

Largest Supplier of Electrical and Electronic Components

*Click to view similar products for [D-Sub Standard Connectors](#) category:*

*Click to view products by [MH Connectors](#) manufacturer:*

Other Similar products are found below :

[DCM37S732N](#) [DAM15P500](#) [DEV09S364GTLF](#) [DEM09P032N](#) [DDM50P732N](#) [DAM15S332N](#) [173109-2218](#) [173109-2466](#) [173109-2436](#)  
[173109-2435](#) [56F706-005-LI](#) [56F711-015](#) [015-0341-000](#) [015-0372-008](#) [015-8544-011](#) [017041-0005](#) [020419-0104](#) [012-0515-000](#) [012-9507-](#)  
[034](#) [012-9507-114](#) [012-9534-001](#) [020745-0008](#) [609-25P](#) [M24308/2-23Z](#) [M243082310F](#) [M243082410F](#) [M243082411F](#) [M24308/4-21](#)  
[CT1A18-11PSA206](#) [CT1N36-5SC](#) [CT2-16S-17PS](#) [CT2-20-15PCAU](#) [CT2-24-12PS](#) [CT2-24-28PSF127A206](#) [CT2-32-9PC](#) [CT6F9767-14-4-](#)  
[14S-5PC](#) [CT6FA10SL-4PS](#) [CT7-18-10SC](#) [CT7-18-10SCAU](#) [CT7-18-12SCAU](#) [CT7-18-1PC](#) [CT7-18-1PCAU](#) [CT7-18-21SCAU](#) [M83513/01-](#)  
[FC](#) [M83723/76W24619 L/C](#) [M85049/48-3-2F](#) [69001-865](#) [6STD09PCM99B70X](#) [6STD09SCM99B30X](#) [6STD09SCT99S40X](#)