



THIS SERIES FULLY CONFORMS TO THE EUROPEAN UNION DIRECTIVES 2002/95/EC AND 2002/96/EC FOR ROHS COMPLIANCY.



MH CONNECTORS LTD.

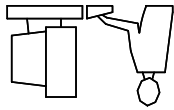
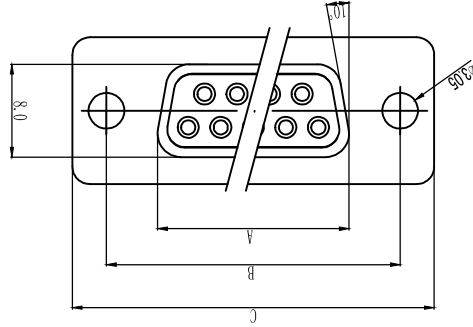
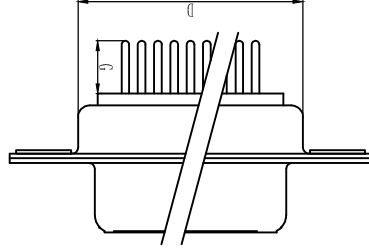
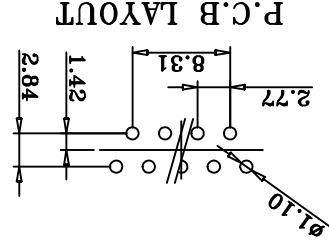
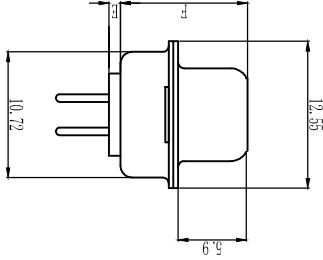
DRAWING No MHDDXX-F-T-B-M	
SCALE	SHEET OF 1
REV: 4.0	DATE
APPROVED	DATE
Haley	08-20-13
DRAWN	DATE

THESE DRAWINGS AND SPECIFICATIONS ARE THE PROPERTY OF MH CONNECTORS LTD. AND SHALL NOT BE REPRODUCED, COPIED OR USED AS THE BASIS FOR THE MANUFACTURE OR SALE OF APPARATUS WITHOUT WRITTEN PERMISSION.

Part Number	SIZE	A±0.13	B±0.13	C±0.35	D±0.35	E±0.35	F±0.35	G±0.35
MHDD09-F-T-B-M	9	16.33	24.99	30.81	19.28	1.0	10.8	4.32
MHDD15-F-T-B-M	15	24.66	33.32	39.14	27.51	1.0	10.8	4.32
MHDD25-F-T-B-M	25	38.38	47.04	53.04	41.30	1.0	10.8	4.32
MHDD37-F-T-B-M	37	54.84	63.50	69.32	57.71	1.0	10.8	4.32
MHDD50-F-T-B-M	50	52.34	61.11	66.92	55.30	1.0	10.8	4.32

- 1. MATERIAL & FINISH**
 1.1. SHELL: STEEL NICKEL OR TIN PLATED.
 1.2. PIN CONTACT: BRASS GOLD PLATED OVER NICKEL.
 1.3. INDULATOR: PBT & GLASS-FIBRE REINFORCED
 UL 94V-0 .
- 2. ELECTRICAL CHARACTERISTICS:**
 2.1. CONTACT RATING: 5 AMP.
 2.2. DIELECTRIC STRENGTH: 1000V FOR ONE MINUTE.
 2.3. INSULATOR RESISTANCE: 1000MΩ MIN AT 500V DC.
 2.4. TEMPERATURE: -55°C~+105°C

PRODUCT:ROHS
 "D-SUB" CONNECTOR STRAIGHT DIP TYPE "SOCKET" MACHAINED PIN.



THIS IS A C.A.D. GENERATED DRAWING
 DO NOT MAKE MANUAL REVISIONS TO MASTER.

* UNLESS OTHERWISE SPECIFIED TOLERANCES
 ON DECIMAL IS: ±0.35
 UNIT: MM

X-ON Electronics

Largest Supplier of Electrical and Electronic Components

Click to view similar products for [D-Sub Standard Connectors](#) category:

Click to view products by [MH Connectors](#) manufacturer:

Other Similar products are found below :

[DCM37S732N](#) [DAM15P500](#) [DEV09S364GTLF](#) [DEM09P032N](#) [DDM50P732N](#) [DAM15S332N](#) [173109-2218](#) [173109-2466](#) [173109-2436](#)
[173109-2435](#) [56F706-005-LI](#) [56F711-015](#) [015-0341-000](#) [015-0372-008](#) [015-8544-011](#) [017041-0005](#) [020419-0104](#) [012-0515-000](#) [012-9507-](#)
[034](#) [012-9507-114](#) [012-9534-001](#) [020745-0008](#) [609-25P](#) [M24308/2-23Z](#) [M243082310F](#) [M243082410F](#) [M243082411F](#) [M24308/4-21](#)
[CT1A18-11PSA206](#) [CT1N36-5SC](#) [CT2-16S-17PS](#) [CT2-20-15PCAU](#) [CT2-24-12PS](#) [CT2-24-28PSF127A206](#) [CT2-32-9PC](#) [CT6F9767-14-4-](#)
[14S-5PC](#) [CT6FA10SL-4PS](#) [CT7-18-10SC](#) [CT7-18-10SCAU](#) [CT7-18-12SCAU](#) [CT7-18-1PC](#) [CT7-18-1PCAU](#) [CT7-18-21SCAU](#) [M83513/01-](#)
[FC](#) [M83723/76W24619 L/C](#) [M85049/48-3-2F](#) [69001-865](#) [6STD09PCM99B70X](#) [6STD09SCM99B30X](#) [6STD09SCT99S40X](#)