



THIS SERIES FULLY CONFORMS TO THE EUROPEAN UNION DIRECTIVES 2002/95/EC AND 2002/96/EC FOR ROHS COMPLIANCY.

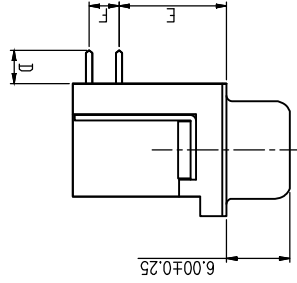
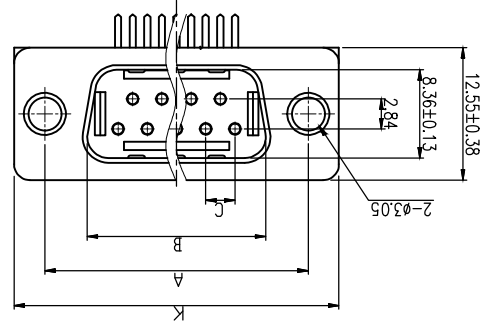
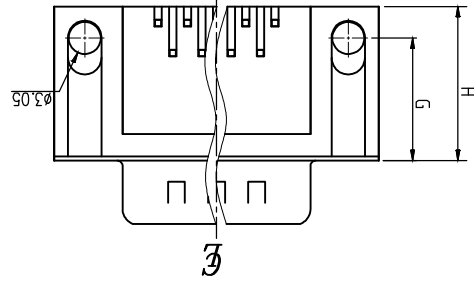
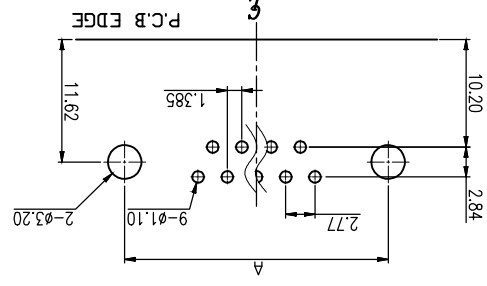


MH CONNECTORS LTD.

DRAWING No MHDDXX-M-T-B-S-RBM		SCALE	
REV: 2.0	SHEET OF 1	DATE	APPROVED
DATE 10-18-13		Haley	

THESE DRAWINGS AND SPECIFICATIONS ARE THE PROPERTY OF MH CONNECTORS LTD. AND SHALL NOT BE REPRODUCED, COPIED OR USED AS THE BASIS FOR THE MANUFACTURE OR SALE OF APPARATUS WITHOUT WRITTEN PERMISSION.

RECOMMENDED P.C.B LAYOUT
INSPECTION DIMENSION:(A)~(H)



Order Information	Part Number	Size	A±0.25	B±0.13	C±0.13	D±0.38	E±0.25	F±0.25	G±0.25	H±0.25	K±0.38
MHDD09-M-T-B-S-RBM	9	24.99	16.92	2.770	3.18	10.20	2.84	11.62	14.60	30.81	
MHDD15-M-T-B-S-RBM	15	33.32	25.25	2.770	3.18	10.20	2.84	11.62	14.60	39.19	
MHDD25-M-T-B-S-RBM	25	47.04	38.96	2.770	3.18	10.20	2.84	11.62	14.60	53.04	
MHDD37-M-T-B-S-RBM	37	63.50	55.42	2.770	3.18	10.20	2.84	11.62	14.60	69.32	

SPECIFICATIONS

1. D-SUB.
- 1.1 Voltage: 250V AC(RMS) Max.
- 1.2 Current Rating: 3 Ampere per Contact.
- 1.3 Contact Resistance: 25 Milliohms Max.
- 1.4 Insulation Resistance: 5000 Megohms Min.
- 1.5 Dielectric Withstanding Voltage: 1000V AC(RMS).
- 1.6 Total Mating Force: See Table1.
- 1.7 Total Unmating Force: See Table1.
- 1.8 Operating Temperature: -55°C to +85°C.

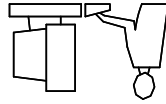
NOTES

1. MATERIAL:
Housing:PT, UL 94V-0, Color:Black.
Terminal:Copper Alloy.
Shell:SPCC.
Boardlock:SPCC.
Rivet:Copper Alloy.
2. FINISH:
Terminal:Gold Plated over Nickel at Contact Area.
Tin Plated over Nickel at Solder Area.
Shell:Nickel Plated.
Boardlock:Nickel Plated.
Rivet:Nickel Plated.
3. This Product is LEAD-FREE & ROHS Compliance Product.

* UNLESS OTHERWISE SPECIFIED TOLERANCES ON DECIMAL IS: ANGLE ± 2°
UNITS: MM
xx ±0.25
.xxx ±0.13

TABLE 1

Size	Mating Force(Kgf) Max	Unmating Force(Kgf) Min
9	4.0	1.0
15	6.0	1.2
25	9.4	1.4
37	13.5	1.6



THIS IS A C.A.D GENERATED DRAWING
DO NOT MAKE MANUAL REVISIONS TO MASTER.

X-ON Electronics

Largest Supplier of Electrical and Electronic Components

Click to view similar products for [D-Sub Standard Connectors](#) category:

Click to view products by [MH Connectors](#) manufacturer:

Other Similar products are found below :

[DCM37S732N](#) [DAM15P500](#) [DEV09S364GTLF](#) [DEM09P032N](#) [DDM50P732N](#) [DAM15S332N](#) [173109-2218](#) [173109-2466](#) [173109-2436](#)
[173109-2435](#) [56F706-005-LI](#) [56F711-015](#) [015-0341-000](#) [015-0372-008](#) [015-8544-011](#) [017041-0005](#) [020419-0104](#) [012-0515-000](#) [012-9507-](#)
[034](#) [012-9507-114](#) [012-9534-001](#) [020745-0008](#) [609-25P](#) [M24308/2-23Z](#) [M243082310F](#) [M243082410F](#) [M243082411F](#) [M24308/4-21](#)
[CT1A18-11PSA206](#) [CT1N36-5SC](#) [CT2-16S-17PS](#) [CT2-20-15PCAU](#) [CT2-24-12PS](#) [CT2-24-28PSF127A206](#) [CT2-32-9PC](#) [CT6F9767-14-4-](#)
[14S-5PC](#) [CT6FA10SL-4PS](#) [CT7-18-10SC](#) [CT7-18-10SCAU](#) [CT7-18-12SCAU](#) [CT7-18-1PC](#) [CT7-18-1PCAU](#) [CT7-18-21SCAU](#) [M83513/01-](#)
[FC](#) [M83723/76W24619 L/C](#) [M85049/48-3-2F](#) [69001-865](#) [6STD09PCM99B70X](#) [6STD09SCM99B30X](#) [6STD09SCT99S40X](#)