



Name: **MiniRover 4WD Chassis**
Code: **MR100-001.1**

The Microbot MiniRover 4WD Chassis is the ideal choice for those who want to begin exploring the exciting world of robotics by experimental practice; the choice of the Microbot MiniRover 4WD Chassis allows to take advantage of 4 powerfull gearmotors and above all a rugged aluminum structure to make hundreds of projects, from simpler to more advanced ones.

Due to its capability to carry payloads greater than 2kg, it is possible to fit this robot chassis with a lot of varieties of sensors, large rechargeable batteries and also a big variety of control boards; with these characteristics it is possible to implement systems that have complex behaviours and long time energy autonomy. This last characteristic is basically when outdoor applications are implemented.

Ideal platform for researchers, students and hobbyists, the Microbot MiniRover 4WD Chassis offers:

- high strength aluminum alloy body (1.5mm thick)
- 4 powerfull 6Vdc gearmotors with 1:74 gear reduction (total torque: 9.6 kgf·cm, speed: 51rpm, shaft: 11mmx4diam.)
- complete chassis with motors and mounting hardware
- high quality RC truck (12mm hex pattern) tire hubs designed to allow the use of standard Mini RC wheels (included within this kit).

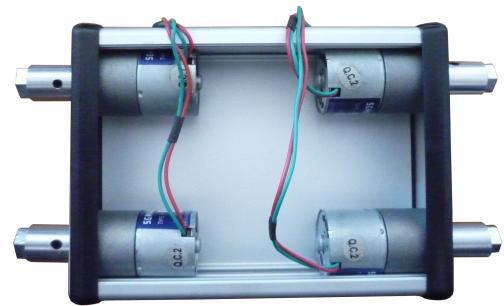


As known, different applications require different motor characteristics: more or less torque, more or less speed; with Microbot MinRover 4WD Chassis it is possible to choose from different kinds of gearmotors in order to obtain the best performances in specific applications.

In fact, the four gearmotors are available in different reduction to allow the designers to optimize the choice of torque and speed of the motors.

An important project feature is that the inside room has been designed to allow the fitting of batteries and electronic controllers inside the chassis itself.

Wheels, tire hubs, gearmotors and chassis are available as spare parts to give the possibility to develop a long-life robot platform.



The Microbot MiniRover 4WD Chassis assures high performance and stylish look due also to its chromized-like wheels (available in different colors and styles).

For more informations visit www.microbot.it

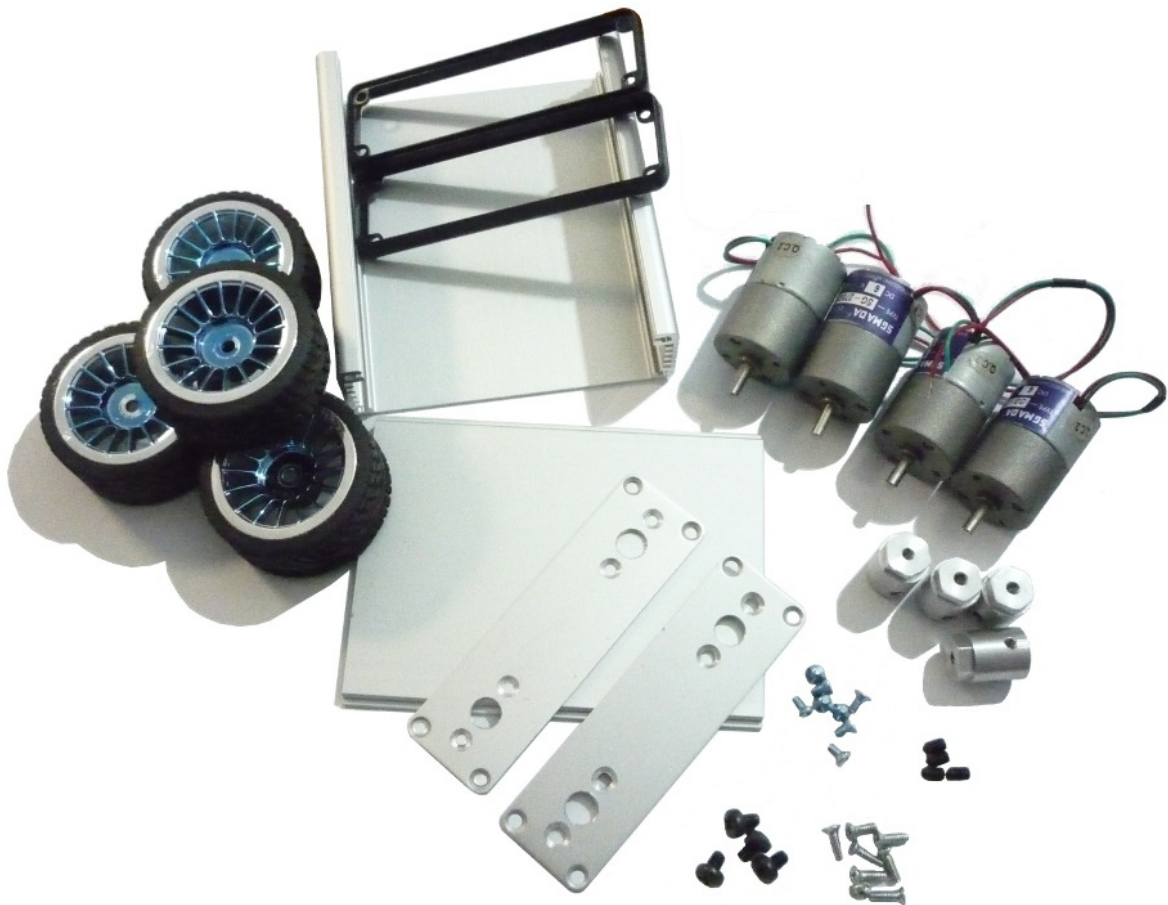
FEATURES

Characteristic	Value
Gearmotor speed	51 rpm
Gearmotor torque	2.4 Kgf*cm
Gearmotor shaft	L = 11 mm, Diam.= 4 mm
Wheels dimensions	W = 24 mm, Diam.= 53 mm
Maximum speed	14.15 cm/s – 0.5 Km/h
Maximum payload	2.8 kg
Chassis measure	126 x 105 x 34 mm / 4.96" x 4.13" x 1.34"
Overall dimensions including wheels	187 x 120 x 53 mm / 7.36" x 4.72" x 2.09"
Weight	660 gr / 23.28 oz
Ground clearance	12 mm

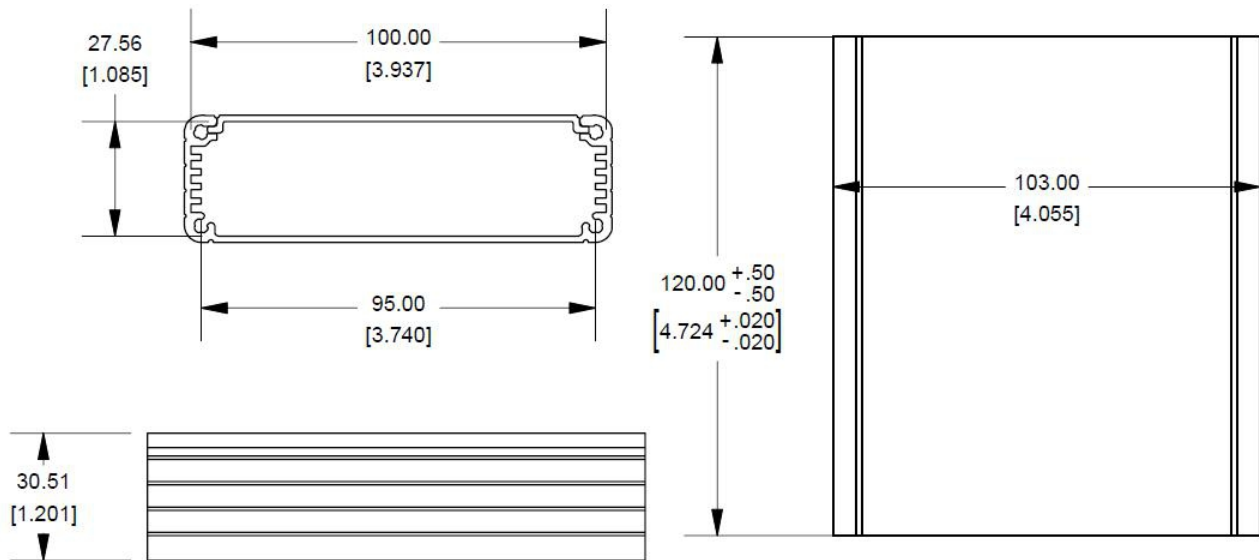


KIT COMPONENTS

- n.4 6V gearmotors
- n.4 aluminum RC tire hubs (12mm hex pattern)
- n.4 chromized plastic wheels
- n.1 main body chassis
- n.1 removable top plate
- n.2 side plates
- n.2 black plastic bounds
- n.8 countersunk self-tapping screws
- n.8 countersunk screws M3x4
- n.4 setscrews M4x6
- n.4 pan head screws M4x6



CHASSIS DIMENSIONS



X-ON Electronics

Largest Supplier of Electrical and Electronic Components

Click to view similar products for [Controllers](#) category:

Click to view products by [Microbot](#) manufacturer:

Other Similar products are found below :

[CS1WCN223](#) [CS1WCN713](#) [CS1WKS001E](#) [61F-11NH](#) [61FGPN8DAC120](#) [61F-GP-NT AC110](#) [61F-GPN-V50-AC110](#) [70177-1011](#) [F03-03](#)
[HAS B](#) [F03-03 HAS C](#) [F03-31](#) [81513201](#) [81513535](#) [81550401](#) [FT1A-C12RA-W](#) [88981106](#) [H2CAC24A](#) [R88A-CAGA005S](#) [R88A-](#)
[CRGB003CR-E](#) [R88ARR080100S](#) [R88A-TK01K](#) [DCN1-1](#) [DTB4896VRE](#) [DTB9696CVE](#) [DTB9696LVE](#) [MR-50LF+](#) [E53-AZ01](#) [E53E8C](#)
[E5CWLQ1TCAC100240](#) [B300LKL21](#) [NE1ASCPU02EIPVER11](#) [NE1SCPU01](#) [NE1SDRM21U](#) [NSCXDC1V3](#) [NSH5-232CW-3M](#)
[NT20SST122BV1](#) [NV3Q-SW41](#) [NV4W-ATT01](#) [NV-CN001](#) [OAS-160-N](#) [K31S6](#) [K33-L1B](#) [K3TX-AD31A](#) [L595020](#) [SRS2-1](#) [G32X-V2K](#)
[26546803](#) [26546805](#) [26546831](#) [CJ1W-OD204](#)