



THIS SERIES FULLY CONFORMS TO THE
EUROPEAN UNION DIRECTIVES 2002/95/EC
AND 2002/96/EC FOR ROHS COMPLIANCY.



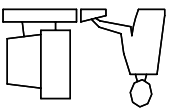
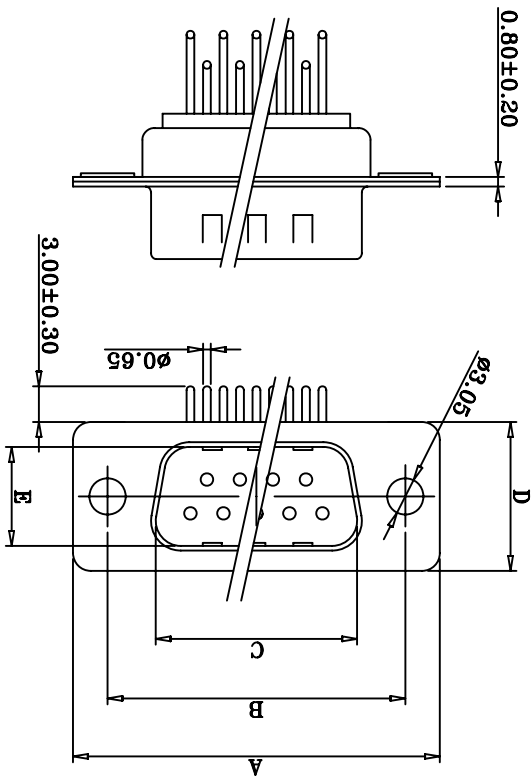
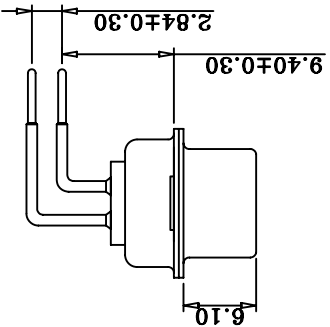
MH CONNECTORS LTD.

DRAWING No MHDDXX-M-T-B-M-RBM		SCALE	
DATE	APPROVED	SHEET OF	REV:
08-07-13	Haley	1 OF 1	3.0

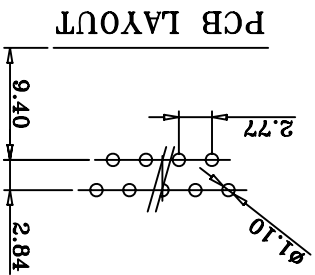
THESE DRAWINGS AND SPECIFICATIONS ARE THE
PROPERTY OF MH CONNECTORS LTD. AND SHALL NOT
BE REPRODUCED, COPIED OR USED AS THE BASIS FOR
THE MANUFACTURE OR SALE OF APPARATUS WITHOUT
WRITTEN PERMISSION.

- 1. MATERIALS AND FINISH.**
 1.1. SHELL: STEEL MATERIAL, FRONT SHELL TIN FINISHED
 BACK SHELL TIN FINISHED
 DIMPLES ON PLUG ONLY
 1.2. INSULATOR: PBT THERMOPLASTIC, 30% GLASS FILLED,
 UL 94V-0 RATED, BLACK COLOR.
 1.3. SIGNAL CONTACT: COPPER ALLOY, FULL GOLD FLASH.
- 2. ELECTRICAL CHARACTERISTICS**
 2.1. CONTACT CURRENT RATING: 5.0 AMPS.
 2.2. CONTACT RESISTANCE: 10 mΩ MAX.
 2.3. DIELECTRIC WITHSTANDING VOLTAGE: 1000 V AC MIN.
 2.4. INSULATION RESISTANCE: 50Ω MIN.
 2.5. TEMPERATURE RATING: -55°C~+125°C

Ordering Info		Dimensions(mm)			
Part Number	SIZE	A±0.25	B±0.25	C±0.25	D±0.25
MHDD09-M-T-B-M-RBM	9	30.80	25.00	16.90	12.50
MHDD15-M-T-B-M-RBM	15	39.20	33.30	25.25	12.50
MHDD25-M-T-B-M-RBM	25	53.05	47.05	38.95	12.50
MHDD37-M-T-B-M-RBM	37	69.40	63.50	55.40	12.50



THIS IS A C.A.D. GENERATED DRAWING
DO NOT MAKE MANUAL REVISIONS TO MASTER.



* UNLESS OTHERWISE SPECIFIED TOLERANCES
 ON DECIMAL IS: X. ±0.20
 X. ±0.10
 X. ±0.05
 .XXX±0.03
 XX ±0.05
 X. ±0.10
 X. ±0.20
 X. ±0.10
 XX ±0.05

X-ON Electronics

Largest Supplier of Electrical and Electronic Components

Click to view similar products for [D-Sub Standard Connectors](#) category:

Click to view products by [MH Connectors](#) manufacturer:

Other Similar products are found below :

[DCM37S732N](#) [DAM15P500](#) [DEV09S364GTLF](#) [DEM09P032N](#) [DDM50P732N](#) [DAM15S332N](#) [173109-2218](#) [173109-2466](#) [173109-2436](#)
[173109-2435](#) [56F706-005-LI](#) [56F711-015](#) [015-0341-000](#) [015-0372-008](#) [015-8544-011](#) [017041-0005](#) [020419-0104](#) [012-0515-000](#) [012-9507-](#)
[034](#) [012-9507-114](#) [012-9534-001](#) [020745-0008](#) [609-25P](#) [M24308/2-23Z](#) [M243082310F](#) [M243082410F](#) [M243082411F](#) [M24308/4-21](#)
[CT1A18-11PSA206](#) [CT1N36-5SC](#) [CT2-16S-17PS](#) [CT2-20-15PCAU](#) [CT2-24-12PS](#) [CT2-24-28PSF127A206](#) [CT2-32-9PC](#) [CT6F9767-14-4-](#)
[14S-5PC](#) [CT6FA10SL-4PS](#) [CT7-18-10SC](#) [CT7-18-10SCAU](#) [CT7-18-12SCAU](#) [CT7-18-1PC](#) [CT7-18-1PCAU](#) [CT7-18-21SCAU](#) [M83513/01-](#)
[FC](#) [M83723/76W24619 L/C](#) [M85049/48-3-2F](#) [69001-865](#) [6STD09PCM99B70X](#) [6STD09SCM99B30X](#) [6STD09SCT99S40X](#)