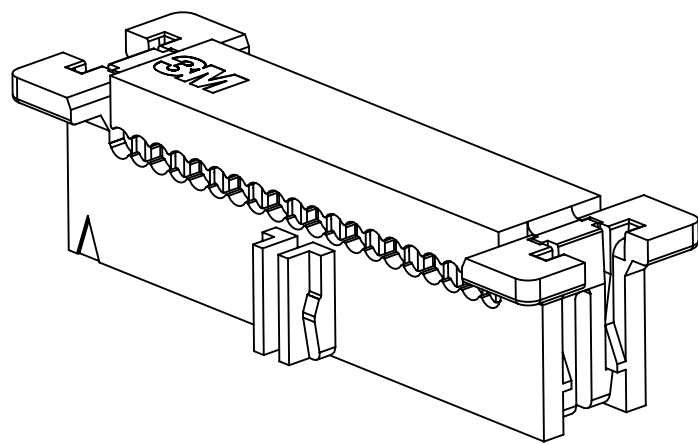
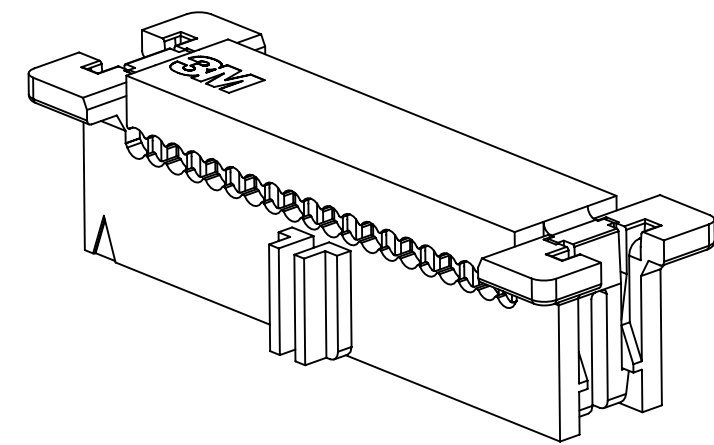


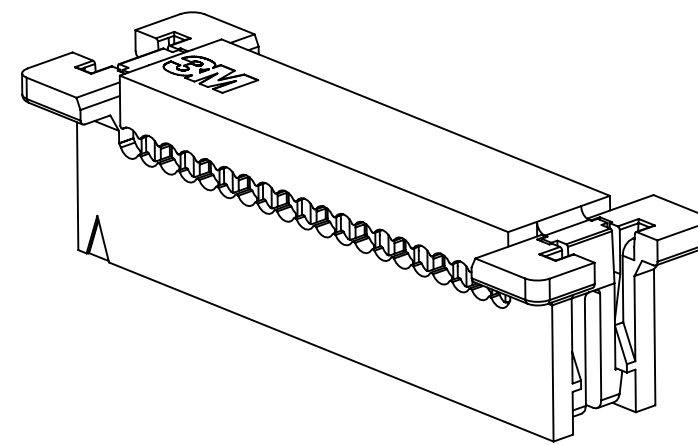
3M™ RIBBON CABLE WIREMOUNT SOCKET ASSEMBLY,
1.27mm (0.050") PITCH, 451 SERIES



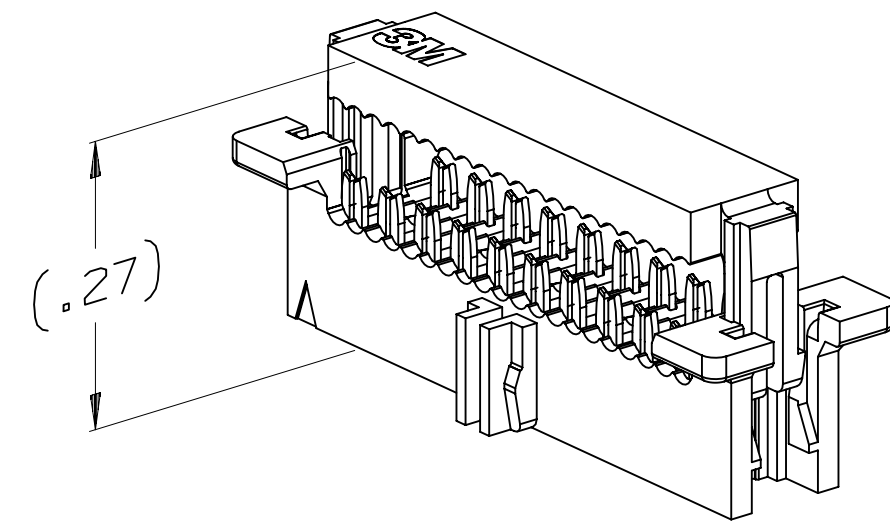
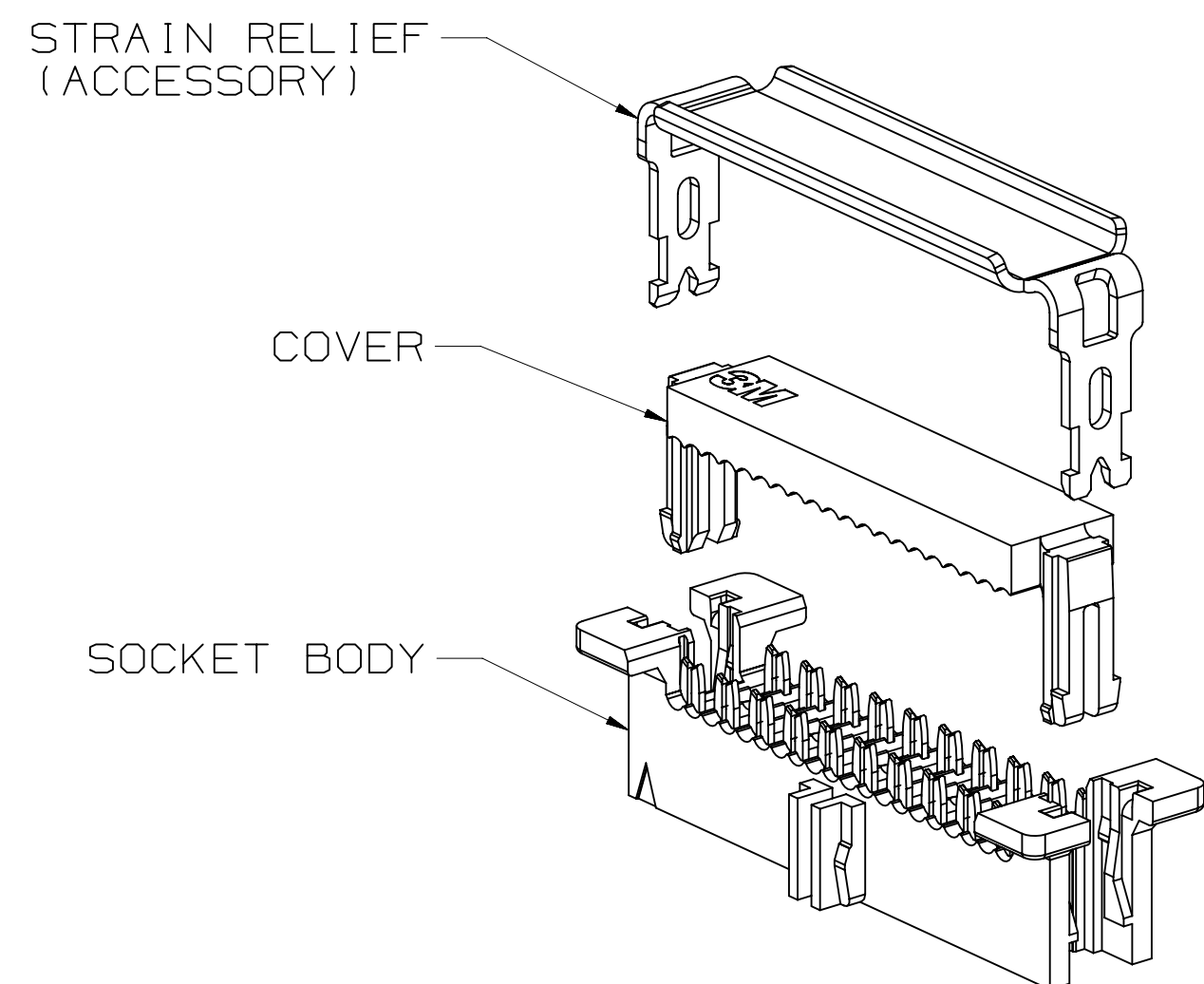
CENTER POLARIZATION
AND FRICTION LATCH



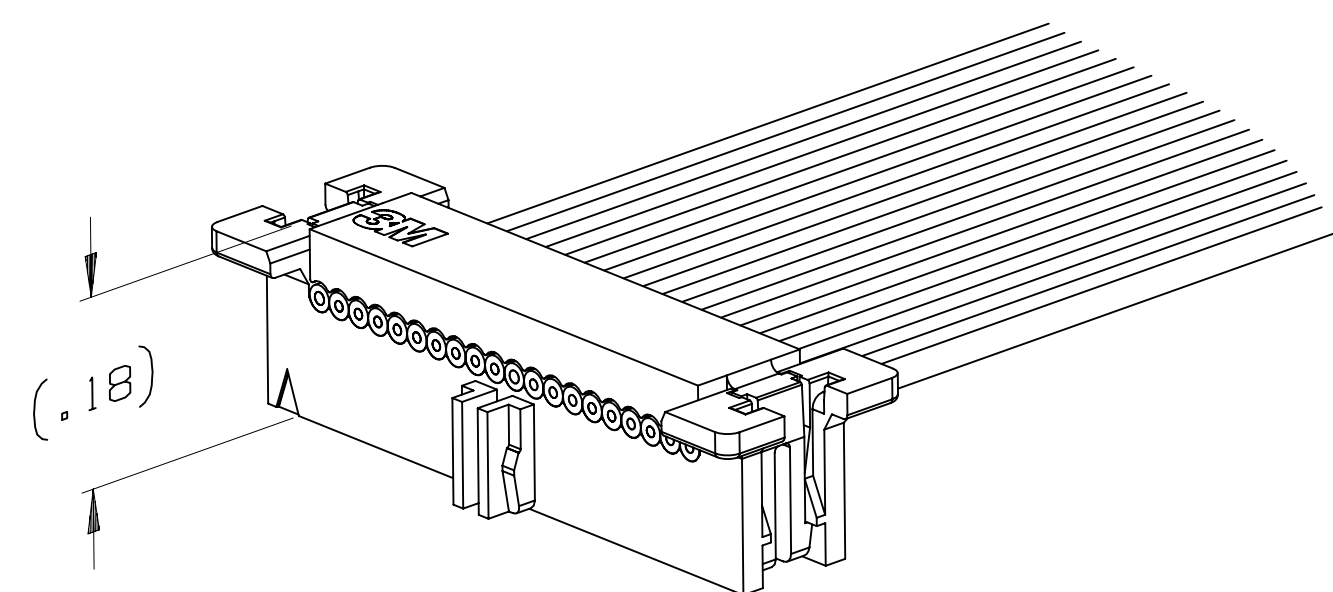
CENTER POLARIZATION
AND NO FRICTION LATCH



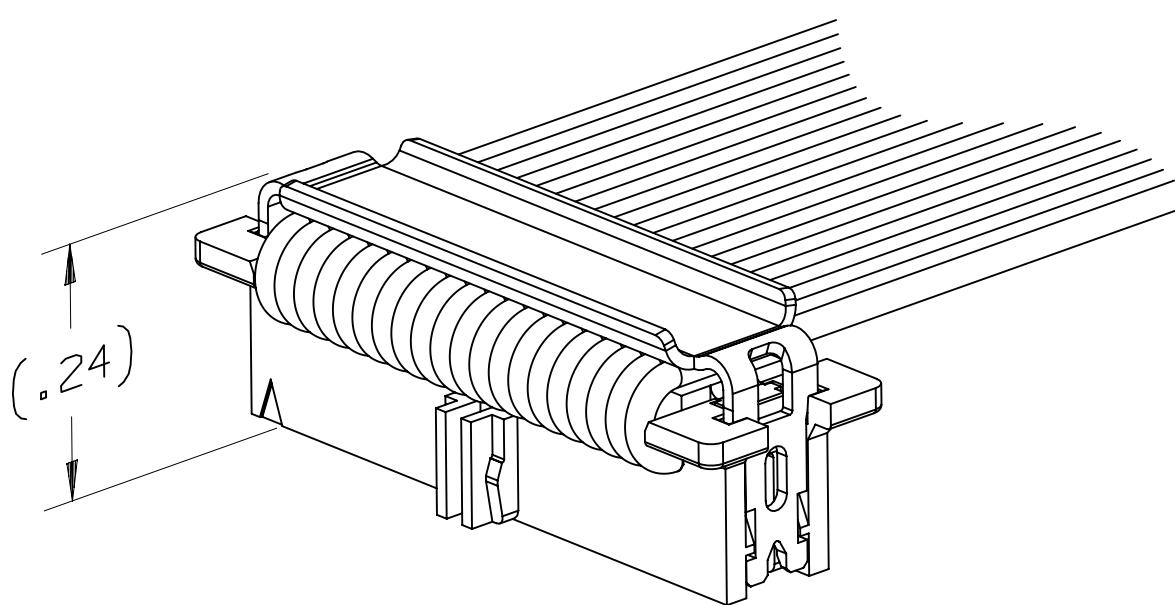
NO CENTER POLARIZATION
AND NO FRICTION LATCH



PRE-POSITIONED COVER



NO STRAIN RELIEF



WITH OPTIONAL
STRAIN RELIEF

TERMINATED
CONNECTOR

| PERFORMANCE: | |
|---------------------------------|--|
| CURRENT RATING: | 1.0 A, ALL LINES ENERGIZED, 30°C TEMP RISE PER EIA 364-70 1.5 A, 6 LINES ENERGIZED, 30°C TEMP RISE PER EIA 364-70 2.5 A, 1 LINE ENERGIZED, 30°C TEMP RISE PER EIA 364-70 1.0 A, UL & CUL NOT FOR CURRENT INTERRUPTION |
| UL & CUL VOLTAGE RATING: | 125V _{ac} |
| INSULATION RESISTANCE: | > 1 × 10 ⁹ Ohms AT 500 VDC |
| WITHSTANDING VOLTAGE: | 1250VACrms AT SEA LEVEL |
| OPERATING TEMPERATURE: | -65°C to +125°C |
| UL & CUL OPERATING TEMPERATURE: | +125°C |

- NOTES
- MATERIAL:
BODY: PBT, UL94V-0
COVER: PBT, UL94V-0
STRAIN RELIEF: STAINLESS STEEL
CONTACTS: BeCu ALLOY.
 - PLATING:
50-150µ" NICKEL UNDERPLATE
30 = 30µ" MIN. GOLD ON WIPING AREA
00 = FLASH GOLD ON WIPING AREA.
 - RIBBON CABLE COMPATIBILITY:
GENERAL:
0.025" PITCH PVC, 30 AWG, SOLID OR 7 STRAND.
RECOMMENDED:
3M 3447 AND 3754 SERIES CABLE.
 - MATING COMPATIBILITY:
3M 1.27mm (0.050"), SERIES 452 HEADER WITH LATCH/EJECT OPTION.
TECH SHEET 2437
 - REGULATORY INFORMATION:
ROHS COMPLIANT. SEE THE REGULATORY INFORMATION APPENDIX (RIA) IN THE "ROHS COMPLIANCE" SECTION OF WWW.3MCONNECTORS.COM FOR COMPLIANCE INFORMATION (RIA E1 & C1 APPLY)
 - IN THE EVENT OF CONFLICT BETWEEN THIS DATA AND THAT CONTAINED IN THE PRODUCT SPECIFICATION, THE PRODUCT SPECIFICATION TAKES PRECEDENT.
 - REFERENCE RELATED DOCUMENTS:
PRODUCT SPECIFICATION:
3M DOC. ID# 78-5102-0091-4.
 - TOOLING AND INSTALLATION INSTRUCTIONS:
3M DOC. ID# 78-9101-8937-8.
 - OTHER PIN COUNTS AVAILABLE UPON REQUEST. CONTACT 3M.
 - PACKAGING:
SOCKET: TRAY
COVER: BAG

ORDERING INFORMATION
FOR RAPID INSTALLATION ON
RIBBON CABLE APPLICATIONS

451 XX - 0 X 0 0 XX
 SERIES | PLATING
 00 = AU FLASH
 30 = 30µ" GOLD
 POSITION COUNT | 04 - 30
 SEE TABLE 1 |
 CENTER POLARIZATION / FRICTION LATCH
 0 = NO CENTER POLARIZATION (CP) (04-30 POS.)
 1 = CP NO FRICTION LATCH (08 - 30 POS.)
 2 = CP WITH FRICTION LATCH (08 - 30 POS.)
 PACKAGING
 0 = STANDARD (TRAYS)
 OPTIONAL FEATURES
 0 = NONE SPECIFIED

ACCESSORY: STRAIN RELIEF
3448-451XX

POSITION COUNT
04 - 30

APPLICATION TOOLING:
ALUMINUM: 3443-82-XX

POSITION COUNT
04 - 30

3M ELECTRONIC MATERIALS SOLUTIONS DIVISION
INTERCONNECT SOLUTIONS
<http://www.3mconnectors.com>

3M IS A TRADEMARK OF 3M COMPANY.
FOR TECHNICAL, SALES OR ORDERING
INFORMATION CALL 800-225-5373

| | | | | | | | |
|----------------------------------|------------------|---|---------------------------------|----------|----------------------------|------------|------|
| 78-5100-2396-9 78-5100-2437-1 | DESIGN REFERENCE | NEXT ASSEMBLY | REV | ECO | ISSUE DATE AND DESCRIPTION | DRFT | CHKD |
| | | | ARM | | FEB 11, 2011 | | |
| | | | ARM | | FEB 11, 2011 | | |
| | | | ARM | | FEB 11, 2011 | | |
| DIVISION | | Interconnect Solutions | DIVISION CODE | | ISD | | |
| DO NOT SCALE DRAWING | SCALE | 6 | TOLERANCES EXCEPT AS NOTED | | | | |
| | | 1 | INCHES | | | | |
| | | | MILLIMETERS | | | | |
| | | | THIRD ANGLE PROJECTION | | | | |
| | | | INTERPRET PER ASME Y14.5 - 2009 | | | | |
| | | | MAX SURFACE ROUGHNESS | | | | |
| | | | MARKED SURFACES | | | | |
| | | | MARKED ONLY | | | | |
| 3M | | © 3M COMPANY 2014. This document and the information it contains are 3M property and may not be reproduced or further distributed without 3M permission, or used or disclosed other than for 3M authorized purposes. All rights reserved. | | | | | |
| TITILE | | RIBBON CABLE SOCKET, 05 X 05 PITCH, 451 SERIES | | | | | |
| CAGE NUMBER | SIZE | DRAWING NO. | REV. | | | | |
| D | | 78-5100-2436-3 | F | | | | |
| MODEL | | ISET | | YES X NO | | SHT 1 OF 2 | |

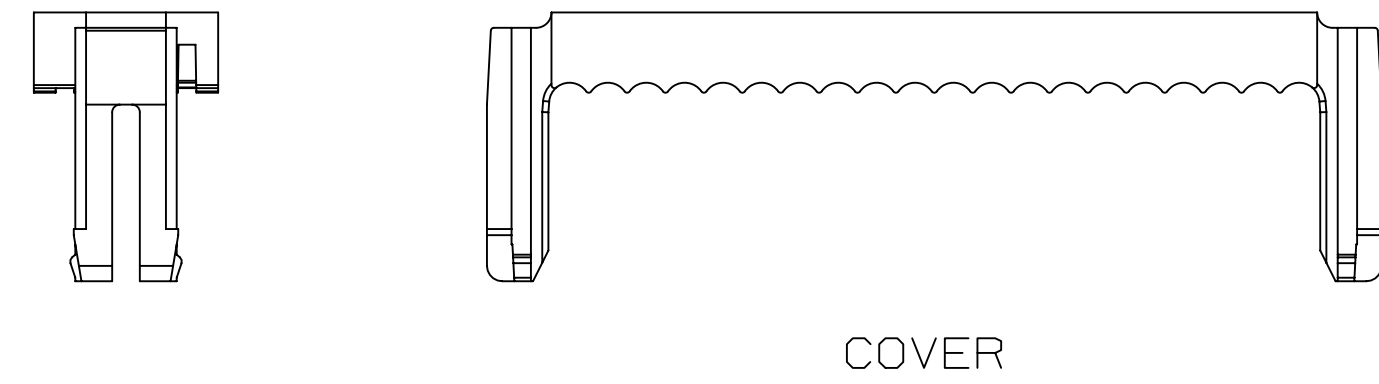
c us
UL FILE NO: E68080

F REV. 78-5100-2436-3 9:01 AM UTC-05:00

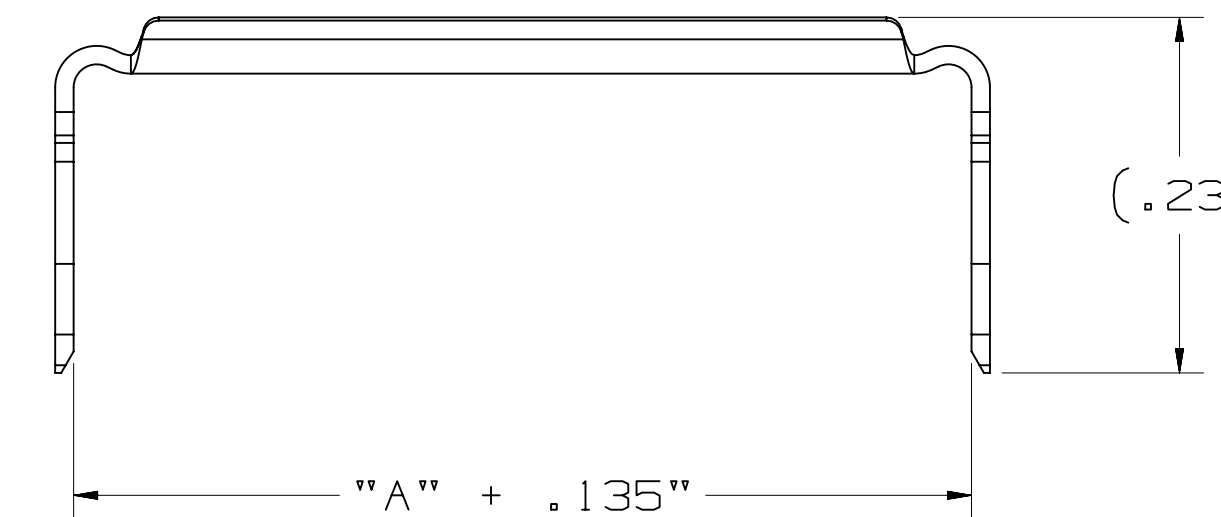
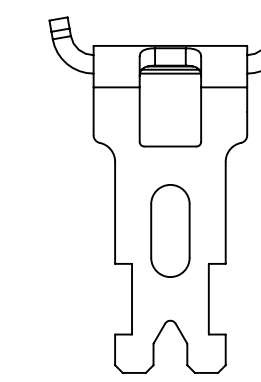
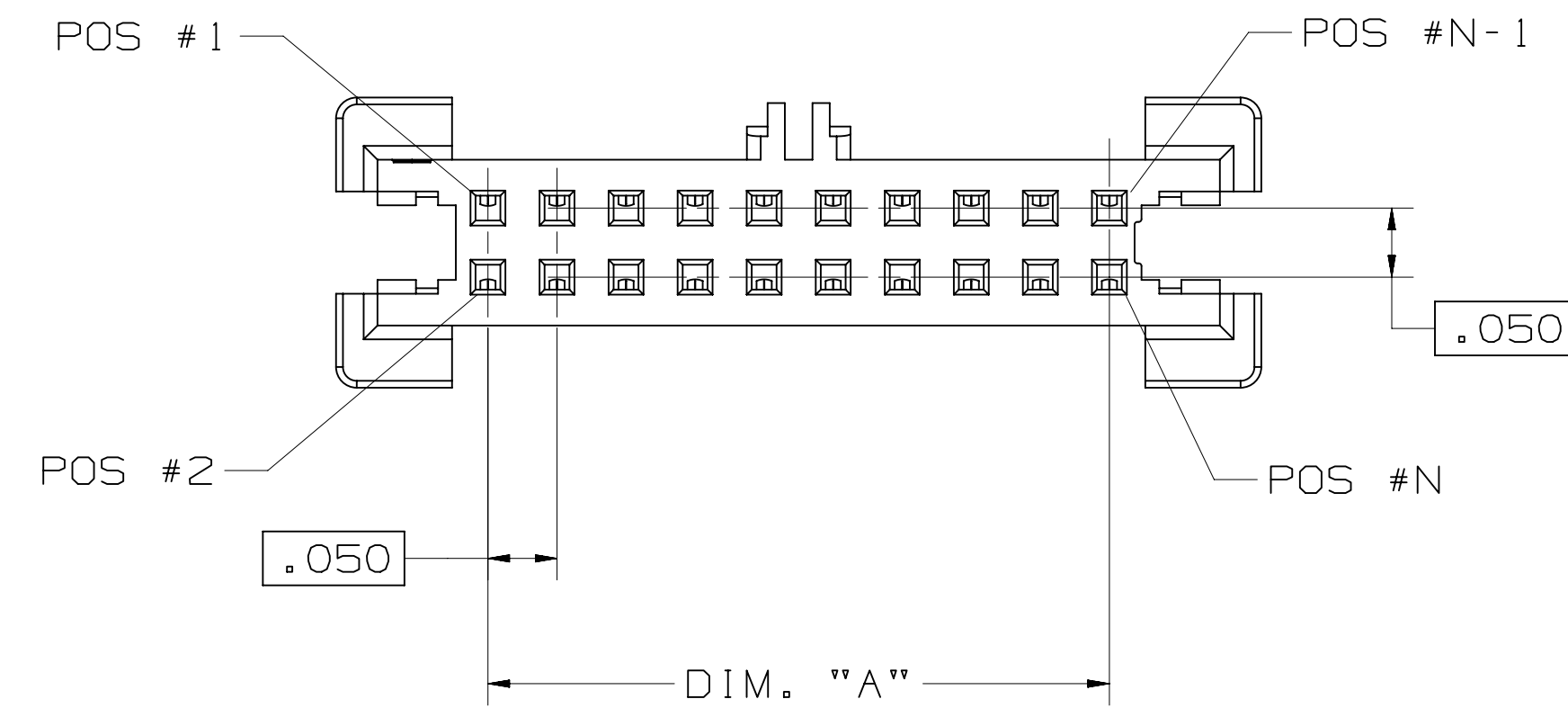
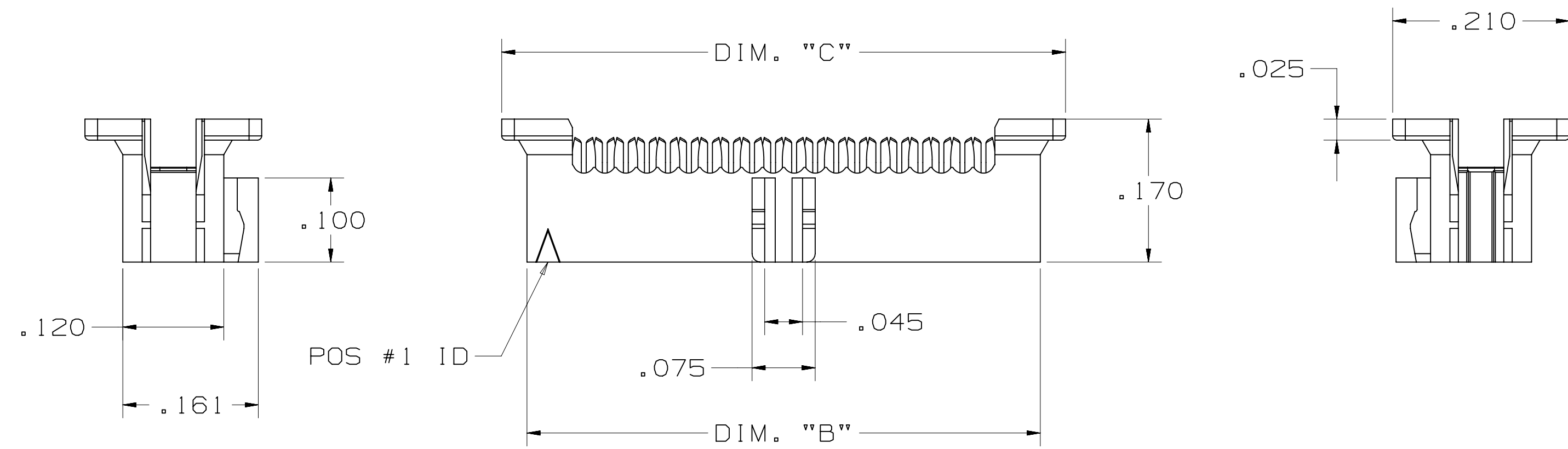
3M™ RIBBON CABLE WIREMOUNT SOCKET ASSEMBLY,
1.27mm (0.050") PITCH, 451 SERIES

TABLE 1

| No. Positions | Dim "A" | Dim "B" | Dim "C" |
|---------------|---------|---------|---------|
| 4 | .050 | .210 | .270 |
| 6 | .100 | .260 | .320 |
| 8 | .150 | .310 | .370 |
| 10 | .200 | .360 | .420 |
| 12 | .250 | .410 | .470 |
| 14 | .300 | .460 | .520 |
| 16 | .350 | .510 | .570 |
| 20 | .450 | .610 | .670 |
| 30 | .700 | .860 | .920 |



COVER



ACCESSORY - STRAIN RELIEF
PART NUMBER 3448-451XX

| REV | ECO | ISSUE DATE AND DESCRIPTION | DRFT | CHKD |
|-----|-------|--|------|------|
| F | 56988 | SEP 24, 2014 REVISE PERFORMANCE CHART | JNC | SN |
| E | 54514 | MAY 07, 2014 ADD UL LOGO | SJS | SAN |
| D | 51884 | JAN 08, 2014 ADD DESIGN REF, UPDATE TITLE, ADD TS REF | SJS | SAN |
| C | 50290 | OCT 08, 2013 REVISE NOTES 1, 3, 8 & OPERATING TEMP. | JNC | SN |
| B | 48635 | JUL 12, 2013 MATCH TEXT FONTS & ADD NOTE 10 | JNC | SN |
| A | 46797 | MAR 25, 2013 PRODUCTION RELEASE | JNC | SAN |

78-5100-2396-9
78-5100-2437-1

DESIGN REFERENCE NEXT ASSEMBLY

| REV | DATE | APPRV | DATE |
|-----|--------------|-------|--------------|
| ARM | FEB 11, 2011 | SAN | FEB 11, 2011 |

DIVISION CODE

Interconnect Solutions
DO NOT SCALE DRAWING
SCALE 4/1
TOLERANCES EXCEPT AS NOTED

THIRD ANGLE PROJECTION
INTERPRET PER ASME Y14.5 - 2009

MAX SURFACE ROUGHNESS
SURFACES MARKED ONLY

© 3M COPYRIGT 2014
3M Center
St. Paul, MN 55144

TITLE
RIBBON CABLE SOCKET,
.05 X .05 PITCH, 451
SERIES

CAGE NUMBER D78-5100-2436-3
REV. F

MODEL
SHT 2 OF 2

78-5100-2436-3
DRAWING NUMBER
F
REVISION
A
AM UTC-05:00
Imaged: F.3 9/24/2014 9:01

X-ON Electronics

Largest Supplier of Electrical and Electronic Components

Click to view similar products for [Headers & Wire Housings](#) category:

Click to view products by [3M](#) manufacturer:

Other Similar products are found below :

[95000-104TRLF](#) [10135584-644402LF](#) [DF62W-EP2022PCA](#) [95000-106TRLF](#) [DF62W-2022SCA](#) [DF62W-EP2022PC](#) [2203348](#) [DF62W-2022SC](#) [1084018](#) [1029039](#) [1084017](#) [802-10-012-10-002000](#) [1112640](#) [1112639](#) [891-007-9SS-BST1T](#) [000-34000](#) [0008550134](#) [0009482033](#) [0009507031](#) [57102-F02-18ULF](#) [57102-S06-03LF](#) [57202-S52-04LF](#) [PCN6-15S-2.5E](#) [0039019024](#) [58102-G61-06LF](#) [582553-1](#) [0009485154](#) [0009508121](#) [009176003701906](#) [0022285053](#) [0050291907](#) [018731A](#) [LY20-4P-DT1-P1E-BR](#) [02.125.8002.8](#) [60101931](#) [60598-1 \(Cut Strip\)](#) [M1625-3R/100](#) [61062-3](#) [61082-181009](#) [CSU011177004](#) [636-1427](#) [638009-1](#) [641938-9](#) [641991-4](#) [644168-1](#) [644827-2](#) [647662-1](#) [65039-019ELF](#) [65692-001LF](#) [65781-018](#)