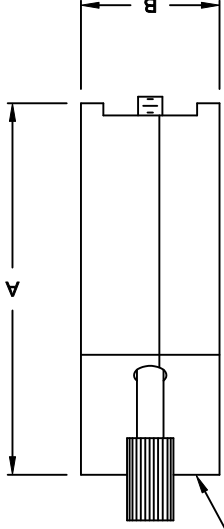
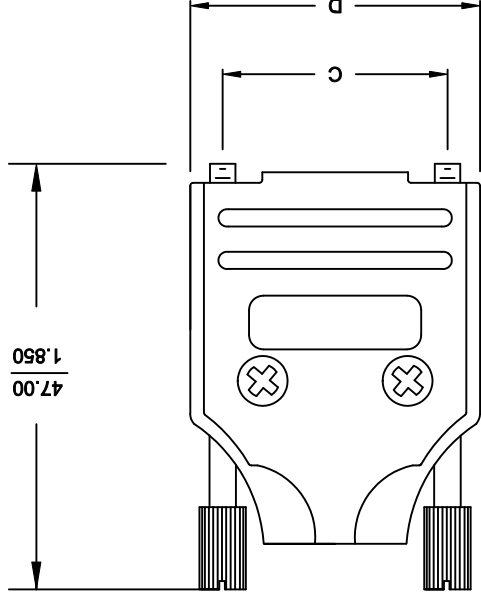


BACKSHELL KIT INCLUDES:

- (2) BACKSHELL HALVES
- (2) STRAIN RELIEF CLAMPS
- (2) MOUNTING SCREWS
- (2) STRAIN RELIEF SCREWS
- (2) THUMBSCREWS
- (1) SET METALIZED PLASTIC INSERTS - VARIOUS SIZES,
6.2mm (0.244"), 8.2mm (0.323"), 10.2mm (0.402")



E = Max. CABLE O.D.

SPECIFICATION:
 BACKSHELL MATERIAL: DIE CAST ZINC
 NICKEL PLATED
 COMPRESSION INSERT: ABS - UL RECOGNIZED
 4-40 THUMBSCREWS: STEEL - Zn PLATED
 HOUSING SCREWS: STEEL - Zn PLATED
 STRAIN RELIEF CLAMP: STEEL - NICKEL PLATED
 STRAIN RELIEF SCREWS: STEEL - Zn PLATED
 OPERATING TEMP: -40°C TO +120°C

ROHS COMPLIANT



MH CONNECTORS LTD.

THESE DRAWINGS AND SPECIFICATIONS ARE THE PROPERTY OF MH CONNECTORS LTD. AND SHALL NOT BE REPRODUCED, COPIED OR USED AS THE BASIS FOR THE MANUFACTURE OR SALE OF APPARATUS WITHOUT WRITTEN PERMISSION.

MHDM SERIES
 DRAWING No

SCALE: NTS
 SHEET OF 1
 REV: A

DRAWN: P. JENKINS
 DATE: 03-14-12
 APPROVED: D. CRDFT
 DATE: 03-14-12

ORDERING INFORMATION:

SIZE:	P/N - BULK:	PRODUCT CODE:
37-WAY	6561-0136-04	MHDM-37
25-WAY	6561-0136-03	MHDM-25
15-WAY	6561-0136-02	MHDM-15
9-WAY	6561-0136-01	MHDM-09

SIZE:	P/N - KITTED:	PRODUCT CODE:
37-WAY	6560-0136-04	MHDM-37-K
25-WAY	6560-0136-03	MHDM-25-K
15-WAY	6560-0136-02	MHDM-15-K
9-WAY	6560-0136-01	MHDM-09-K

DIMENSIONS (mm/in)

SIZE:	A	B	C	D	E
37	54.31	15.39	63.50	70.69	13.00
25	49.50	15.39	47.04	54.51	13.00
15	43.31	15.39	33.32	40.59	13.00
09	41.30	15.39	24.99	32.21	13.00

X-ON Electronics

Largest Supplier of Electrical and Electronic Components

Click to view similar products for [D-Sub Standard Connectors](#) category:

Click to view products by [MH Connectors](#) manufacturer:

Other Similar products are found below :

[DCM37S732N](#) [DAM15P500](#) [DEV09S364GTLF](#) [DEM09P032N](#) [DDM50P732N](#) [DAM15S332N](#) [173109-2218](#) [173109-2466](#) [173109-2436](#)
[173109-2435](#) [56F706-005-LI](#) [56F711-015](#) [015-0341-000](#) [015-0372-008](#) [015-8544-011](#) [017041-0005](#) [020419-0104](#) [012-0515-000](#) [012-9507-](#)
[034](#) [012-9507-114](#) [012-9534-001](#) [020745-0008](#) [609-25P](#) [M24308/2-23Z](#) [M243082310F](#) [M243082410F](#) [M243082411F](#) [M24308/4-21](#)
[CT1A18-11PSA206](#) [CT1N36-5SC](#) [CT2-16S-17PS](#) [CT2-20-15PCAU](#) [CT2-24-12PS](#) [CT2-24-28PSF127A206](#) [CT2-32-9PC](#) [CT6F9767-14-4-](#)
[14S-5PC](#) [CT6FA10SL-4PS](#) [CT7-18-10SC](#) [CT7-18-10SCAU](#) [CT7-18-12SCAU](#) [CT7-18-1PC](#) [CT7-18-1PCAU](#) [CT7-18-21SCAU](#) [M83513/01-](#)
[FC](#) [M83723/76W24619 L/C](#) [M85049/48-3-2F](#) [69001-865](#) [6STD09PCM99B70X](#) [6STD09SCM99B30X](#) [6STD09SCT99S40X](#)