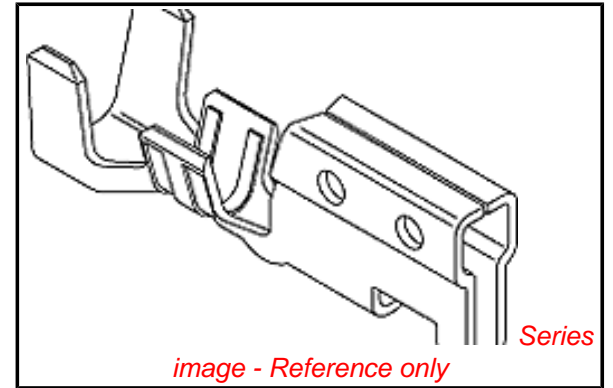


PLEASE CHECK WWW.MOLEX.COM FOR LATEST PART INFORMATION

Part Number: [08-70-1030](#)
Status: **Active**
Overview: SPOX™ BMI Connector System
Description: SPOX™ Crimp Terminal 5194, 18-24 AWG, Brass, Bag

Documents:

Drawing (PDF)	Product Specification PS-5196-004 (PDF)
Product Specification PS-5096-003 (PDF)	Product Specification PS-5196-005 (PDF)
Product Specification PS-5195-001 (PDF)	Product Specification PS-5196-006 (PDF)
Product Specification PS-5195-002 (PDF)	Product Specification PS-5197-001 (PDF)
Product Specification PS-5195-003 (PDF)	Product Specification PS-5197-003 (PDF)
Product Specification PS-5195-004 (PDF)	Product Specification PS-5197-004 (PDF)
Product Specification PS-5195-005 (PDF)	Product Specification PS-5198-001 (PDF)
Product Specification PS-5195-006 (PDF)	Product Specification PS-5199-001 (PDF)
Product Specification PS-5195-007 (PDF)	Product Specification PS-5199-002 (PDF)
Product Specification PS-5195-009 (PDF)	Product Specification PS-5273-003 (PDF)
Product Specification PS-5195-010 (PDF)	Product Specification PS-5273-004 (PDF)
Product Specification PS-5195-011 (PDF)	RoHS Certificate of Compliance (PDF)
Product Specification PS-5196-001 (PDF)	



Agency Certification

CSA LR19980

General

Product Family	Crimp Terminals
Series	5194
Application	Signal
Crimp Quality Equipment	Yes
Overview	SPOX™ BMI Connector System
Packaging Alternative	08-70-1031 (Reel)
Product Name	SPOX™
UPC	800753745834

Physical

Gender	Female
Material - Metal	Brass
Material - Plating Mating	Tin
Material - Plating Termination	Tin
Net Weight	185.000/mg
Packaging Type	Bag
Plating min - Mating	0.889µm
Plating min - Termination	0.889µm
Termination Interface: Style	Crimp or Compression
Wire Insulation Diameter	1.30-3.20mm
Wire Size AWG	18, 20, 22, 24
Wire Size mm²	N/A

Material Info

Old Part Number 5194TL

Reference - Drawing Numbers

Crimp Specification	CS-5194, CS-5194(S)
Product Specification	PS-5096-003, PS-5195-001, PS-5195-002, PS-5195-003, PS-5195-004, PS-5195-005, PS-5195-006, PS-5195-007, PS-5195-009, PS-5195-010, PS-5195-011, PS-5196-001, PS-5196-004, PS-5196-005, PS-5196-006,

<p>EU RoHS ELV and RoHS Compliant REACH SVHC Contains SVHC: No Low-Halogen Status Low-Halogen</p>	<p>China RoHS</p>
--	--------------------------

Need more information on product environmental compliance?

Email productcompliance@molex.com
 For a multiple part number RoHS Certificate of Compliance, [click here](#)

Please visit the [Contact Us](#) section for any non-product compliance questions.

Search Parts in this Series

5194Series

Use With

5195 , 5196 , 5197 , 5198 , 5199

Application Tooling | FAQ

Tooling specifications and manuals are found by selecting the products below. Crimp Height Specifications are then contained in the Application Tooling Specification document.

Global

Description	Product #
Hand Crimp Tool for Crimp Terminals	0638116500
Extraction Tool	0638132700

Japan

Description	Product #
Hand Crimp Tool JHTR5904	0011260058
Hand Extraction Tool	0011260100

Sales Drawing

PS-5197-001, PS-5197-003, PS-5197-004,
PS-5198-001, PS-5199-001, PS-5199-002,
PS-5273-003, PS-5273-004, RPS-5096-001,
RPS-5195-001, RPS-5196-002, RPS-5196-003,
RPS-5196-004, RPS-5197-001
SD-5194-001

This document was generated on 07/04/2014

PLEASE CHECK WWW.MOLEX.COM FOR LATEST PART INFORMATION

X-ON Electronics

Largest Supplier of Electrical and Electronic Components

Click to view similar products for [molex manufacturer](#):

Other Similar products are found below :

[60506-C-50](#) [73108](#) [72903](#) [1062837003](#) [0533241060](#) [68301-1017](#) [71506-C](#) [880504](#) [387790039](#) [53254-0710](#) [85071-0017](#) [387204903](#)
[783472003](#) [514412093](#) [0026482195](#) [0191310031](#) [503308-4410](#) [02-09-6102](#) [0008650814](#) [791099208](#) [0039000218](#) [89762-1403](#) [89762-1542](#)
[89762-1582](#) [0011404526](#) [00136](#) [0022173102](#) [0026615060](#) [CR4006A30M003](#) [0039532085](#) [58098-0628](#) [0003092041](#) [0008520123](#)
[0011030025](#) [0011184017](#) [0022162060](#) [0022552102](#) [01312](#) [M15730061](#) [61432](#) [6150300002](#) [CS63W64](#) [CS8264N](#) [CS8365N](#) [CS8369](#)
[62201-8780](#) [62500-1774](#) [M37730026](#) [63103-50](#) [63443-2215](#)