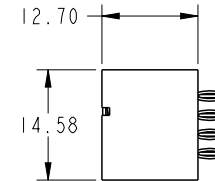
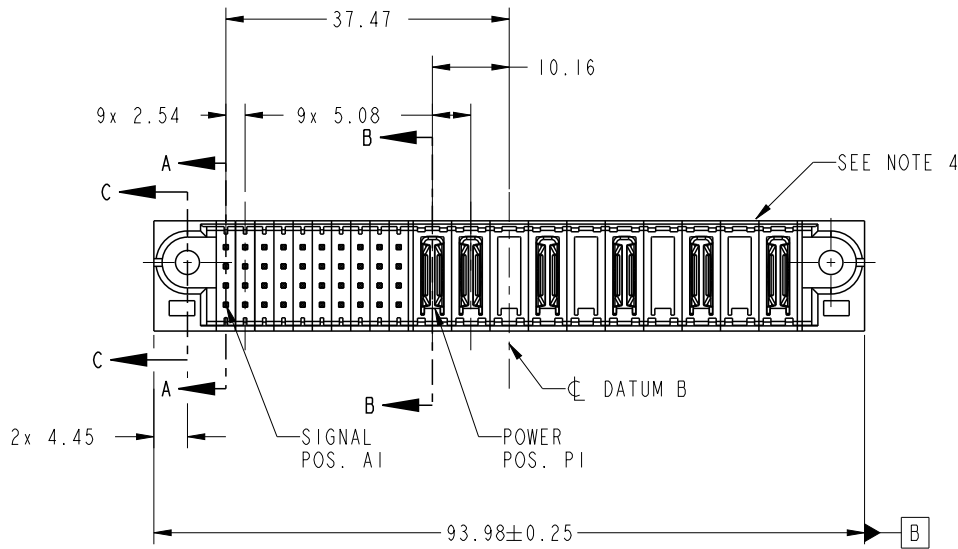


PRODUCT NO.	ROWS	SIGNAL										POWER										E2									
		E1	1	2	3	4	5	6	7	8	9	10	P1	P2	P3	P4	P5	P6	P7	P8	P9		P10								
51952-265-- NOTE ③	D C B A											PC	PC	X	PC	X	PC	X	PC	X	PC										



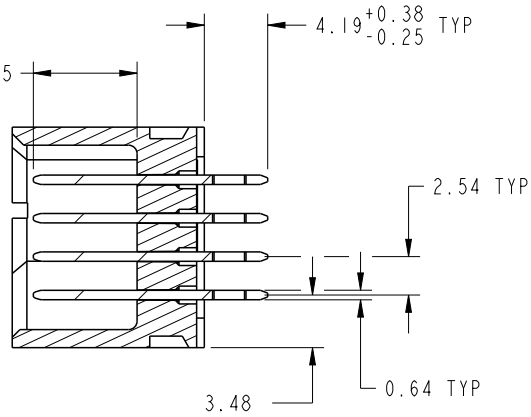
CODE	DIM "M" MATING LENGTH	CONTACT TYPE
PC	[N/A]	POWER
G	[6.86]	SIGNAL
X		OMITTED

spec ref	See Notes			dr	Jackie Huang	2013/09/28	projection 	MM ←→	size	A4	scale	1:1
tolerance std	TOLERANCES UNLESS OTHERWISE SPECIFIED			eng	De-Ming Lu	2014/04/02			ecn no	-		
See Notes				chr	-	-				-		
surface	linear	0.X	±0.50	appr	Pei-Ming Zheng	2014/04/02	product family	PwrBlade		rel level	Released	
		0.XX	±0.25				title	40S+10DCP		dwg no 51952-265	rev A	
		0.XXX	±0.10				cat. no.	&model_name	Product - Customer Drw			sheet 1 of 4
	angular	0°	±2°	www.fci.com								

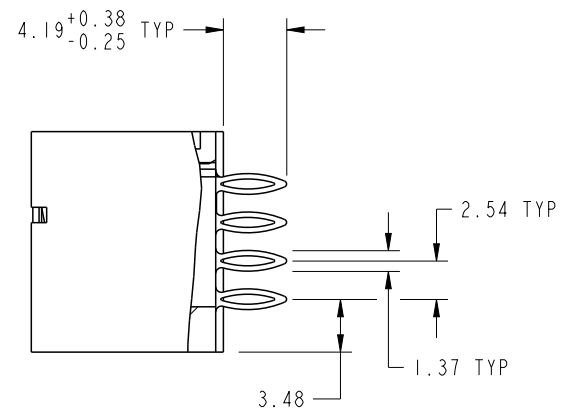
PRODUCT NUMBER

51952-265--  
NOTE 3

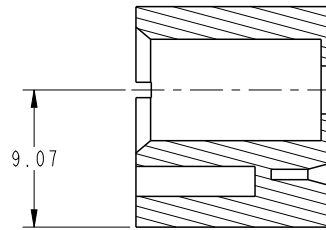
DIM "M" ±0.25



SECTION A-A  
SCALE 2:1



SECTION B-B  
SCALE 2:1



SECTION C-C  
SCALE 2:1

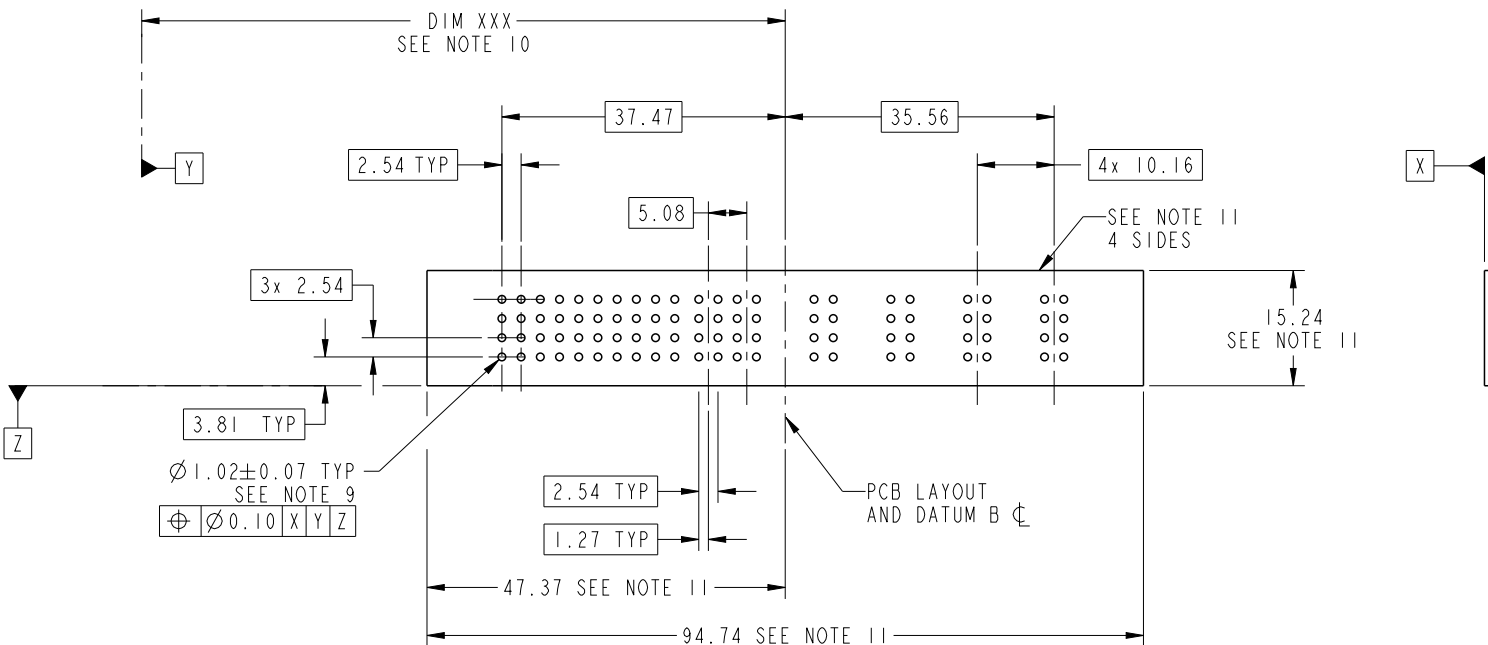
dr	Jackie Huang	2013/09/28	projection 	MM ←→	size	A4	scale	1:1	
eng	De-Ming Lu	2014/04/02			ecn no	-			
chr	-	-			rel level	Released			
appr	Pei-Ming Zheng	2014/04/02	product family	PwrBlade					
		title	40S+10DCP VERTICAL PF HEADER		dwg no	51952-265		rev	A
www.fci.com		cat. no.	&model_name	Product - Customer Drw		sheet 2 of 4			



Copyright FCI.

PRODUCT NUMBER

51952-265\_\_  
NOTE 3



RECOMMENDED PCB LAYOUT

dr	Jackie Huang	2013/09/28	projection 	MM 	size	A4	scale	1:1	
eng	De-Ming Lu	2014/04/02			ecn no	-			
chr	-	-							
appr	Pei-Ming Zheng	2014/04/02	product family	PwrBlade	rel level	Released			
		title	40S+10DCP VERTICAL PF HEADER		dwg no	51952-265		rev	A
www.fci.com		cat. no.	&model_name	Product - Customer Drw		sheet 3 of 4			

PRODUCT NUMBER

51952-265\_\_  
NOTE 3

NOTES:

1. DIMENSIONS AND TOLERANCES ARE IN ACCORDANCE WITH ASME Y14.5M, 1994 UNLESS OTHERWISE SPECIFIED.

CONNECTOR NOTES:

- 2 HOUSING MATERIAL: UL 94 V-0 GLASS FILLED HIGH-TEMP THERMOPLASTIC  
POWER CONTACT MATERIAL: COPPER ALLOY  
SIGNAL PIN MATERIAL: COPPER ALLOY
  - 3. SEE ITEM 3 & 4 IN PRINT 10064183 FOR PLATING SPEC OF 51952-265 AND 51952-265LF RESPECTIVELY.
  - 4 MANUFACTURER'S NAME, DATE CODE AND OPTIONAL P/N TO APPEAR ON THIS SURFACE. THE MARK CAN BE OMITTED IF THERE IS NOT ENOUGH SPACE ON THIS SURFACE.
  - 5. PRODUCT SPECIFICATION GS-12-149.  
APPLICATION SPECIFICATION BUS-20-067.
  - 6. PACKAGED IN TRAYS.
- PCB NOTES:
- 7. ALL HOLE DIAMETERS ARE FINISHED HOLE SIZE.
  - 8. MOUNTING HOLES, WHERE APPLICABLE, ARE UNPLATED.

9  $\varnothing 1.151 \pm 0.025$  DRILLED HOLES PLATED WITH 0.008 MIN SnPb OR Sn OVER .001 [0.03] TO 0.08 Cu PLATING TO ACHIEVE  $\varnothing 1.02 \pm 0.07$  HOLE.

10 "DIM XXX" TO BE DETERMINED BY THE CUSTOMER.

11 CONNECTOR KEEP-OUT ZONE.

dr	Jackie Huang	2013/09/28	projection 	MM 	size	A4	scale	1:1			
eng	De-Ming Lu	2014/04/02			ecn no	-					
chr	-	-			product family	PwrBlade	rel level	Released			
appr	Pei-Ming Zheng	2014/04/02			title	40S+10DCP		dwg no	51952-265	rev	A
www.fci.com		cat. no.	&model_name	Product - Customer Drw			sheet 4 of 4				



Copyright FCI.

## X-ON Electronics

Largest Supplier of Electrical and Electronic Components

*Click to view similar products for [Power to the Board](#) category:*

*Click to view products by [Amphenol](#) manufacturer:*

Other Similar products are found below :

[10131318-08512GRLF](#) [6450171-4](#) [6450552-7](#) [6600323-8](#) [6643429-1](#) [6646040-2](#) [6651939-1](#) [6766604-1](#) [120959-1](#) [1393557-2](#) [1393532-2](#)  
[1393532-3](#) [1393532-4](#) [1393557-1](#) [1600812-5](#) [1-6450861-2](#) [1645595-1](#) [1743490-1](#) [1744132-7](#) [1761122-1](#) [1766169-1](#) [1766250-1](#) [18362](#)  
[1892109-1](#) [1-967627-6](#) [2226808-1](#) [2-6450860-5](#) [2-6450860-6](#) [2-6450870-0](#) [93003-0502](#) [953552-1](#) [1-6450161-4](#) [1-6450850-6](#) [1645526-2](#) [1-](#)  
[6600130-0](#) [1743419-1](#) [1766150-1](#) [2005243-2](#) [211110-1](#) [2-6600130-2](#) [TE34-12-16P-F0](#) [51700-10201602AALF](#) [5-6450830-6](#) [5646956-4](#)  
[36662-0005](#) [40585-3000](#) [4-6450830-9](#) [4-6600333-3](#) [51142-0214](#) [10125416-4050LF](#)