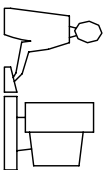
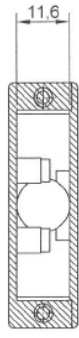
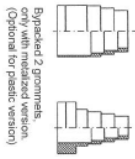


THIS IS A C.A.D. GENERATED DRAWING
DO NOT MAKE MANUAL REVISIONS TO MASTER.

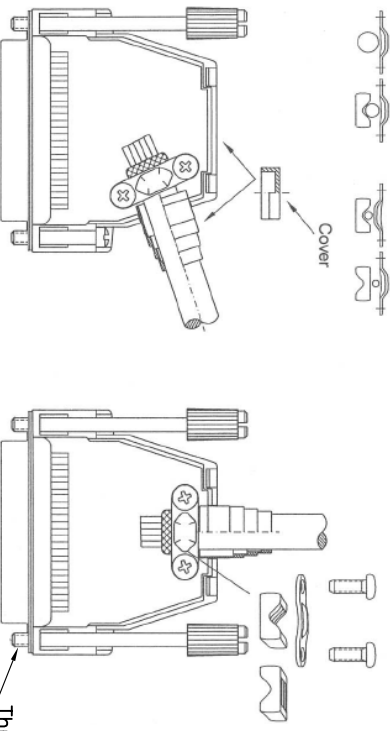
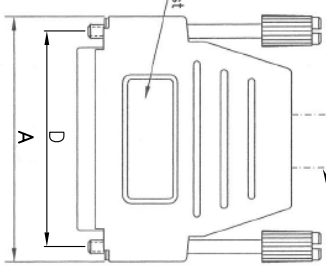
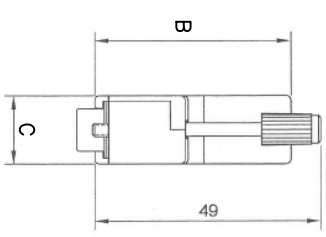


BACKSHELL KIT INCLUDES:

- (2) BACKSHELL HALVES
- (3)-4-40 THUMBSCREWS
- (2) CLAMP SCREWS
- (2) CLAMP SCREWS
- (1) BLANKING PLUG
- (1) SET OF COMPRESSION INSERTS-VARIOUS SIZES FOR 9-37



max O.D 11,5mm



Thread UNC4-40

* UNLESS OTHERWISE SPECIFIED TOLERANCES
ON DECIMAL IS: ANGLE ± 1°
UNIT: MM .XX ± 0.35

DIMENSIONS(mm/in)

SIZE	A ±.25 ±0.10		B ±.25 ±0.10		C ±.25 ±0.10		D ±.13 ±.05	
	9	31.5	40.0	15.00	24.99	1.240	1.575	0.591
15	40.0	40.0	15.00	33.32	1.575	1.575	0.591	1.312
	53.5	43.0	15.00	47.04	2.106	1.693	0.591	1.852
25	71.3	40.0	15.00	63.50	2.807	1.575	0.591	2.500
37								

ORDERING INFORMATION:

SIZE	P/N - KITTED	PRODUCT CODE
9-WAY	6260-0106-01	MHDSK-M-09-L-K
15-WAY	6260-0106-02	MHDSK-M-15-L-K
25-WAY	6260-0106-03	MHDSK-M-25-L-K
37-WAY	6260-0106-14	MHDSK-M-37-S-K

SIZE	P/N - BULK	PRODUCT CODE
9-WAY	6261-0106-01	MHDSK-M-09-L
15-WAY	6261-0106-02	MHDSK-M-15-L
25-WAY	6261-0106-03	MHDSK-M-25-L
37-WAY	6261-0106-14	MHDSK-M-37-S

BACKSHELL MATERIAL: ABS,UL RECOGNIZED
PLATING: NICKEL
JACKSCREWS: STEEL,ZN PLATED WITH PLASTIC KNOB
COMPRESSION INSERT: ABS,UL RECOGNIZED
CLAMP SCREW: STEEL,ZN PLATED
OPERATING TEMP: -55°C TO+110°C



THIS SERIES FULLY CONFORMS TO THE
EUROPEAN UNION DIRECTIVES 2002/95/EC
AND 2002/96/EC FOR ROHS COMPLIANCY.

THESE DRAWINGS AND SPECIFICATIONS ARE THE
PROPERTY OF MH CONNECTORS LTD. AND SHALL NOT
BE REPRODUCED, COPIED OR USED AS THE BASIS FOR
THE MANUFACTURE OR SALE OF APPARATUS WITHOUT
WRITTEN PERMISSION.

DRAWN	DATE
Johnny	12-04-12
APPROVED	DATE



MH CONNECTORS LTD.

SCALE	SHEET OF	REV:
1:1	1 DF 1	1.0
DRAWING No		
MHDSK-M-XX-L/S		

X-ON Electronics

Largest Supplier of Electrical and Electronic Components

Click to view similar products for [D-Sub Standard Connectors](#) category:

Click to view products by [MH Connectors](#) manufacturer:

Other Similar products are found below :

[DCM37S732N](#) [DAM15P500](#) [DEV09S364GTLF](#) [DEM09P032N](#) [DDM50P732N](#) [DAM15S332N](#) [173109-2218](#) [173109-2466](#) [173109-2436](#)
[173109-2435](#) [56F706-005-LI](#) [56F711-015](#) [015-0341-000](#) [015-0372-008](#) [015-8544-011](#) [017041-0005](#) [020419-0104](#) [012-0515-000](#) [012-9507-](#)
[034](#) [012-9507-114](#) [012-9534-001](#) [020745-0008](#) [609-25P](#) [M24308/2-23Z](#) [M243082310F](#) [M243082410F](#) [M243082411F](#) [M24308/4-21](#)
[CT1A18-11PSA206](#) [CT1N36-5SC](#) [CT2-16S-17PS](#) [CT2-20-15PCAU](#) [CT2-24-12PS](#) [CT2-24-28PSF127A206](#) [CT2-32-9PC](#) [CT6F9767-14-4-](#)
[14S-5PC](#) [CT6FA10SL-4PS](#) [CT7-18-10SC](#) [CT7-18-10SCAU](#) [CT7-18-12SCAU](#) [CT7-18-1PC](#) [CT7-18-1PCAU](#) [CT7-18-21SCAU](#) [M83513/01-](#)
[FC](#) [M83723/76W24619 L/C](#) [M85049/48-3-2F](#) [69001-865](#) [6STD09PCM99B70X](#) [6STD09SCM99B30X](#) [6STD09SCT99S40X](#)