

**BACKSHELL KIT INCLUDES:**

(2) BACKSHELL HALVES

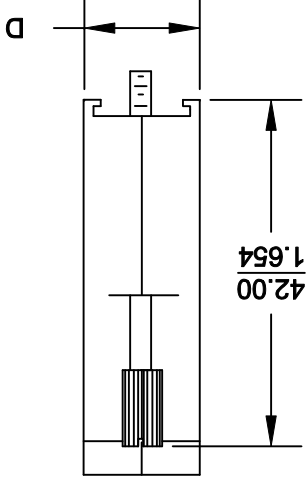
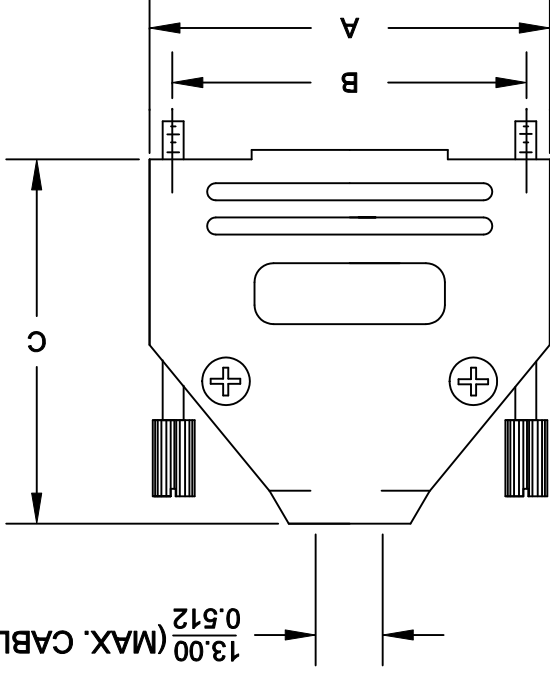
(2) 4-40 THUMBSCREWS

(2) HOUSING SCREWS/NUTS

(1) SET OF COMPRESSION INSERTS-VARIOUS SIZES

DIAMETERS: 4mm (.157"), .5mm (.197"), 7mm (.276"), 9mm (.354")

13.00 (MAX. CABLE Ø)  
0.512



PLASTIC: ABS POLYLAC - UL RECOGNIZED

NICKEL PLATED

JACKSCREWS: STEEL, Zn PLATED

M3 HOODSCREWS: STEEL, Zn PLATED

COMPRESSION INSERT: ABS UL RECOGNIZED

M3 NUT: STEEL, Zn PLATED

OPERATING TEMP: - 55°C TO 110°C

**ROHS COMPLIANT**



**MH CONNECTORS LTD.**

THESE DRAWINGS AND SPECIFICATIONS ARE THE PROPERTY OF MH CONNECTORS LTD. AND SHALL NOT BE REPRODUCED, COPIED OR USED AS THE BASIS FOR THE MANUFACTURE OR SALE OF APPARATUS WITHOUT WRITTEN PERMISSION.

DRAWN P. JENKINS		DATE 03-14-12	
APPROVED D. CRDFT		DATE 03-14-12	
SCALE NTS		SHEET OF 1 1	
DRAWING No MHDTPK SERIES		REV: A	

**ORDERING INFORMATION:**

SIZE:	P/N - KITTED:	PRODUCT CODE:
9-WAY	6560-0145-01	MHDTPK-9-K
15-WAY	6560-0145-02	MHDTPK-15-K
25-WAY	6560-0145-03	MHDTPK-25-K
37-WAY	6560-0145-04	MHDTPK-37-K

SIZE:	P/N - BULK:	PRODUCT CODE:
9-WAY	6561-0145-01	MHDTPK-9
15-WAY	6561-0145-02	MHDTPK-15
25-WAY	6561-0145-03	MHDTPK-25
37-WAY	6561-0145-04	MHDTPK-37

DIMENSIONS (mm/in)					
SIZE	A ±.25	B ±.13	C ±.10	D ±.25	
9	31.20	24.99	39.90	15.00	
	1.228	0.984	1.571	0.590	
15	39.50	33.32	41.50	15.00	
	1.555	1.312	1.634	0.590	
25	53.40	47.04	48.60	15.00	
	2.102	1.852	1.913	0.590	
37	69.70	63.50	53.60	15.00	
	2.744	2.500	2.110	0.590	

## X-ON Electronics

Largest Supplier of Electrical and Electronic Components

*Click to view similar products for [D-Sub Standard Connectors](#) category:*

*Click to view products by [MH Connectors](#) manufacturer:*

Other Similar products are found below :

[DCM37S732N](#) [DAM15P500](#) [DEV09S364GTLF](#) [DEM09P032N](#) [DDM50P732N](#) [DAM15S332N](#) [173109-2218](#) [173109-2466](#) [173109-2436](#)  
[173109-2435](#) [56F706-005-LI](#) [56F711-015](#) [015-0341-000](#) [015-0372-008](#) [015-8544-011](#) [017041-0005](#) [020419-0104](#) [012-0515-000](#) [012-9507-](#)  
[034](#) [012-9507-114](#) [012-9534-001](#) [020745-0008](#) [609-25P](#) [M24308/2-23Z](#) [M243082310F](#) [M243082410F](#) [M243082411F](#) [M24308/4-21](#)  
[CT1A18-11PSA206](#) [CT1N36-5SC](#) [CT2-16S-17PS](#) [CT2-20-15PCAU](#) [CT2-24-12PS](#) [CT2-24-28PSF127A206](#) [CT2-32-9PC](#) [CT6F9767-14-4-](#)  
[14S-5PC](#) [CT6FA10SL-4PS](#) [CT7-18-10SC](#) [CT7-18-10SCAU](#) [CT7-18-12SCAU](#) [CT7-18-1PC](#) [CT7-18-1PCAU](#) [CT7-18-21SCAU](#) [M83513/01-](#)  
[FC](#) [M83723/76W24619 L/C](#) [M85049/48-3-2F](#) [69001-865](#) [6STD09PCM99B70X](#) [6STD09SCM99B30X](#) [6STD09SCT99S40X](#)