

DTSN-16 NANOPERM COMMON MODE CHOKES



APPLICATIONS:

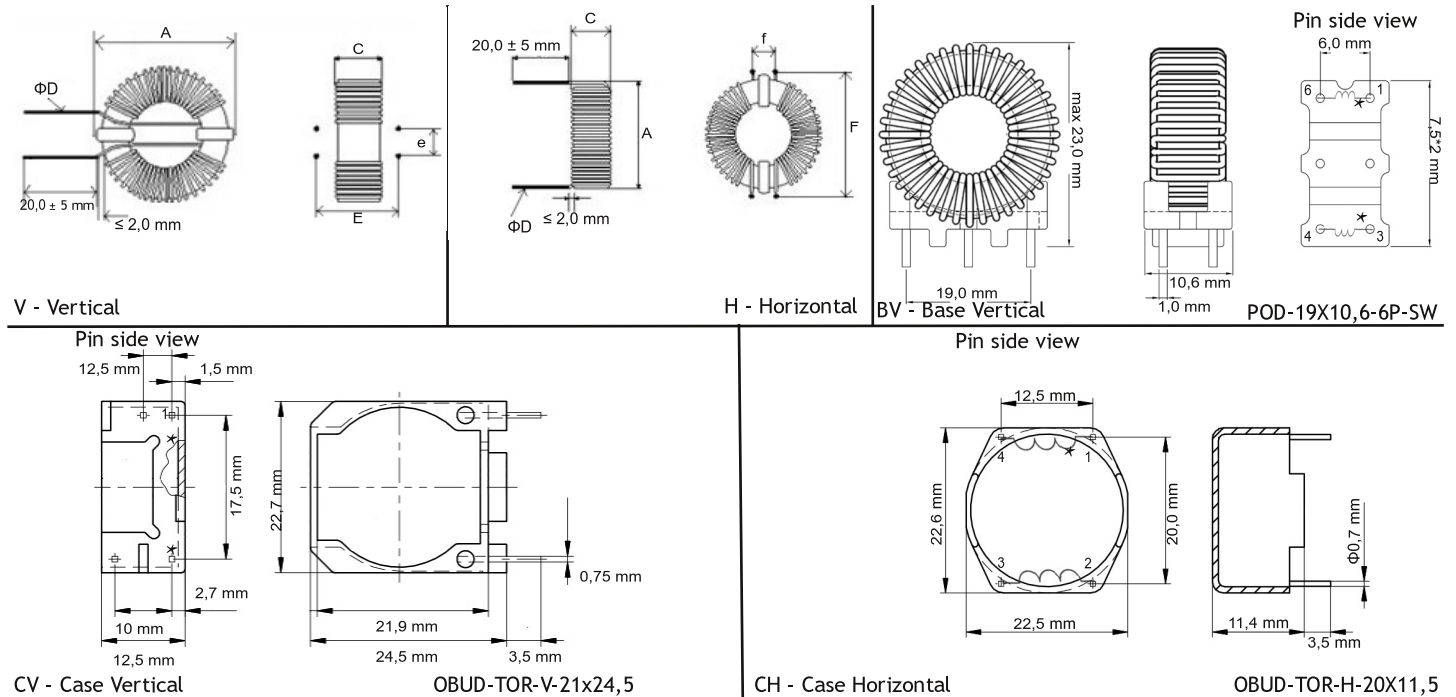
- SMPS transformers
- current transformers
- control transformers
- current compensated chokes
- chokes operating in saturation (thyristor and triac systems)

ORDERING CODE:

DTSN- 16 / 33 / 1,0 - V

mounting: V - vertical, H - horizontal, BV - base vertical,
CV - case vertical, CH - case horizontal
rated current in Amps
inductance in mH@ $I_{DC} = 0A$
sendust core outer diameter
product symbol

DIMENSIONS:

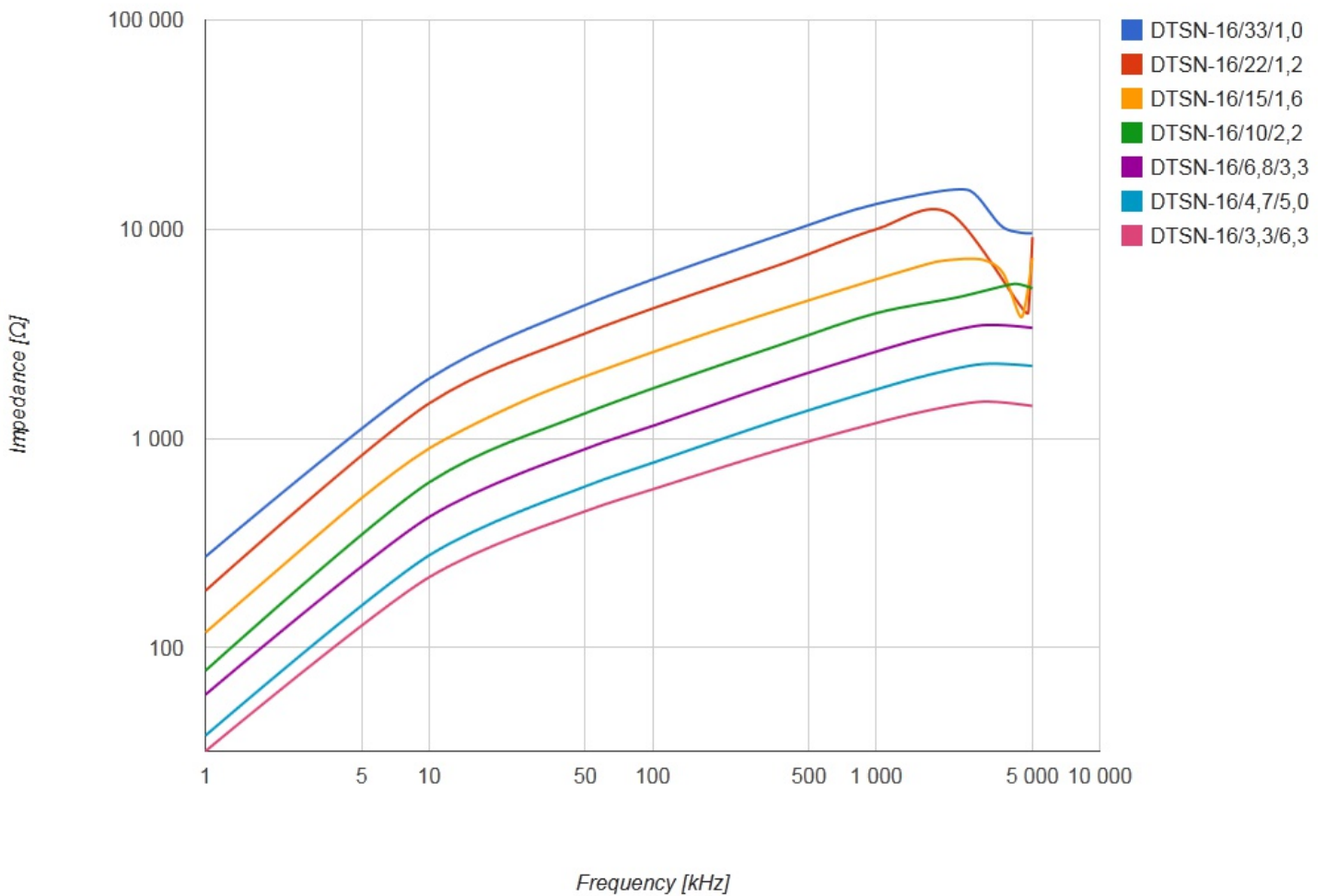


Part number	Dimensions ($\pm 10\%$)							Mounting version				
	A [mm]	C [mm]	D [mm]	E [mm]	e [mm]	F [mm]	f [mm]	V	H	BV	CV	CH
DTSN-16/33/1,0	19,0	9,5	0,35	12,0	6,0	20,0	6,0	✓	✓	✓	✓	✓
DTSN-16/22/1,2	19,0	10,0	0,40	12,0	6,0	20,0	6,0	✓	✓	✓	✓	✓
DTSN-16/15/1,6	19,5	10,0	0,45	12,0	6,0	20,0	6,0	✓	✓	✓	✓	✓
DTSN-16/10/2,2	20,0	10,5	0,53	12,0	6,0	20,0	6,0	✓	✓	✓	✓	✓
DTSN-16/6,8/3,3	20,5	11,0	0,65	12,0	6,0	20,0	6,0	✓	✓	✓	✓	✓
DTSN-16/4,7/5,0	21,0	11,0	0,80	12,0	6,0	20,0	6,0	✓	✓	—	—	—
DTSN-16/3,3/6,3	21,0	11,5	0,90	12,0	6,0	20,0	6,0	✓	✓	—	—	—

ELECTRICAL PROPERTIES:

Part number	Lmax [mH]	I _{max} [A]	RDC [Ω]
DTSN-16/33/1,0	2x33	1,0	0,425
DTSN-16/22/1,2	2x22	1,2	0,181
DTSN-16/15/1,6	2x15	1,6	0,099
DTSN-16/10/2,2	2x10	2,2	0,071
DTSN-16/6,8/3,3	2x6,8	3,3	0,049
DTSN-16/4,7/5,0	2x4,7	5,0	0,038
DTSN-16/3,3/6,3	2x3,3	6,3	0,035

CHARACTERISTICS:



X-ON Electronics

Largest Supplier of Electrical and Electronic Components

Click to view similar products for [Fixed Inductors](#) category:

Click to view products by [Feryster](#) manufacturer:

Other Similar products are found below :

[MLZ1608M6R8WTD25](#) [MLZ1608N6R8LT000](#) [MLZ1608N3R3LTD25](#) [MLZ1608N3R3LT000](#) [MLZ1608N150LT000](#)

[MLZ1608M150WTD25](#) [MLZ1608M3R3WTD25](#) [MLZ1608M3R3WT000](#) [MLZ1608M150WT000](#) [MLZ1608A1R5WT000](#)

[MLZ1608N1R5LT000](#) [B82432C1333K000](#) [PCMB053T-1R0MS](#) [PCMB053T-1R5MS](#) [PCMB104T-1R5MS](#) [CR32NP-100KC](#) [CR32NP-](#)

[151KC](#) [CR32NP-180KC](#) [CR32NP-181KC](#) [CR32NP-1R5MC](#) [CR32NP-390KC](#) [CR32NP-3R9MC](#) [CR32NP-680KC](#) [CR32NP-820KC](#)

[CR32NP-8R2MC](#) [CR43NP-390KC](#) [CR43NP-560KC](#) [CR43NP-680KC](#) [CR54NP-181KC](#) [CR54NP-470LC](#) [CR54NP-820KC](#) [CR54NP-8R5MC](#)

[MGDQ4-00004-P](#) [MGDU1-00016-P](#) [MHL1ECTTP18NJ](#) [MHL1JCTTD12NJ](#) [PE-51506NL](#) [PE-53601NL](#) [PE-53630NL](#) [PE-53824SNLT](#) [PE-](#)

[62892NL](#) [PE-92100NL](#) [PG0434.801NLT](#) [PG0936.113NLT](#) [PM06-2N7](#) [PM06-39NJ](#) [HC2LP-R47-R](#) [HC2-R47-R](#) [HC3-2R2-R](#) [HC8-1R2-R](#)