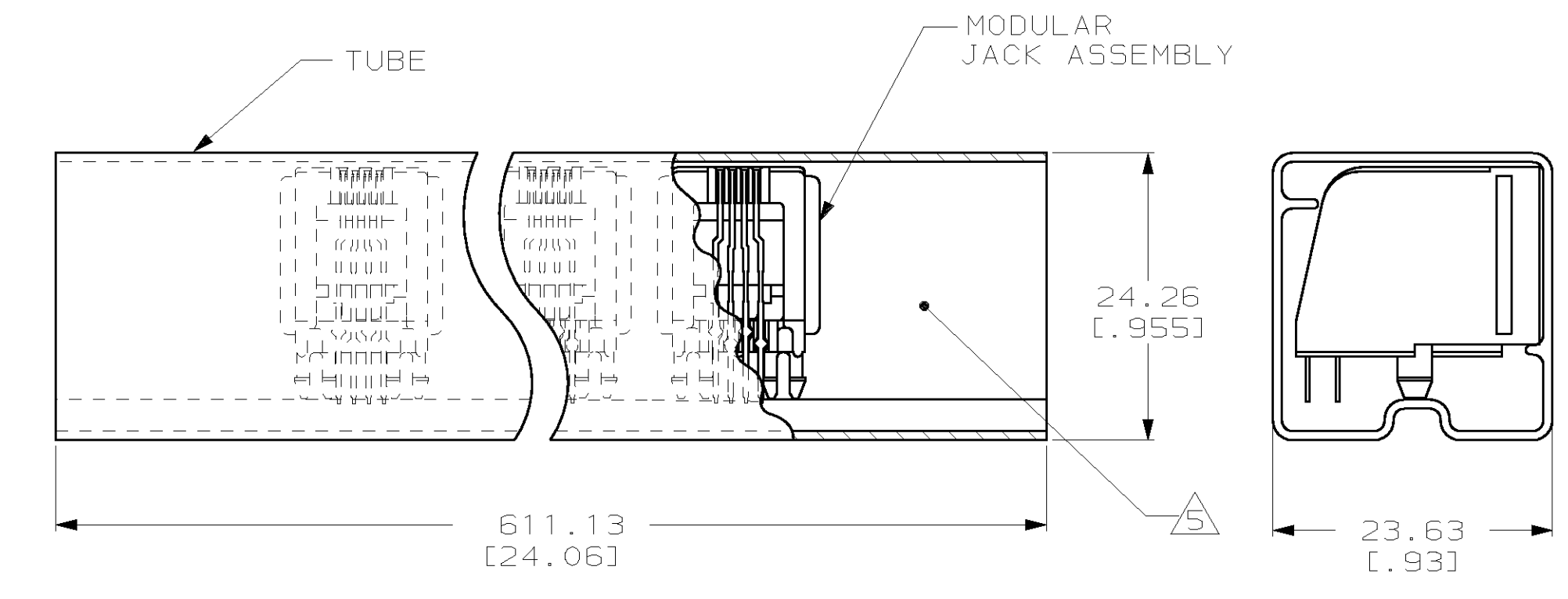
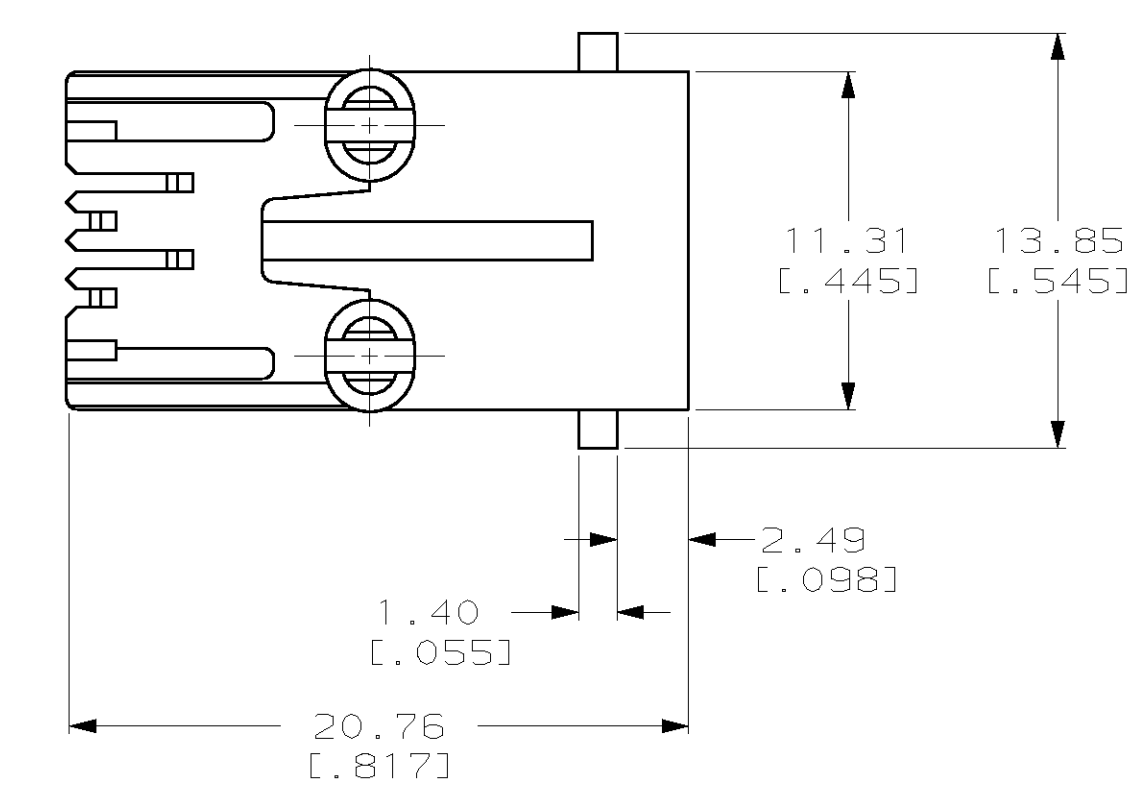
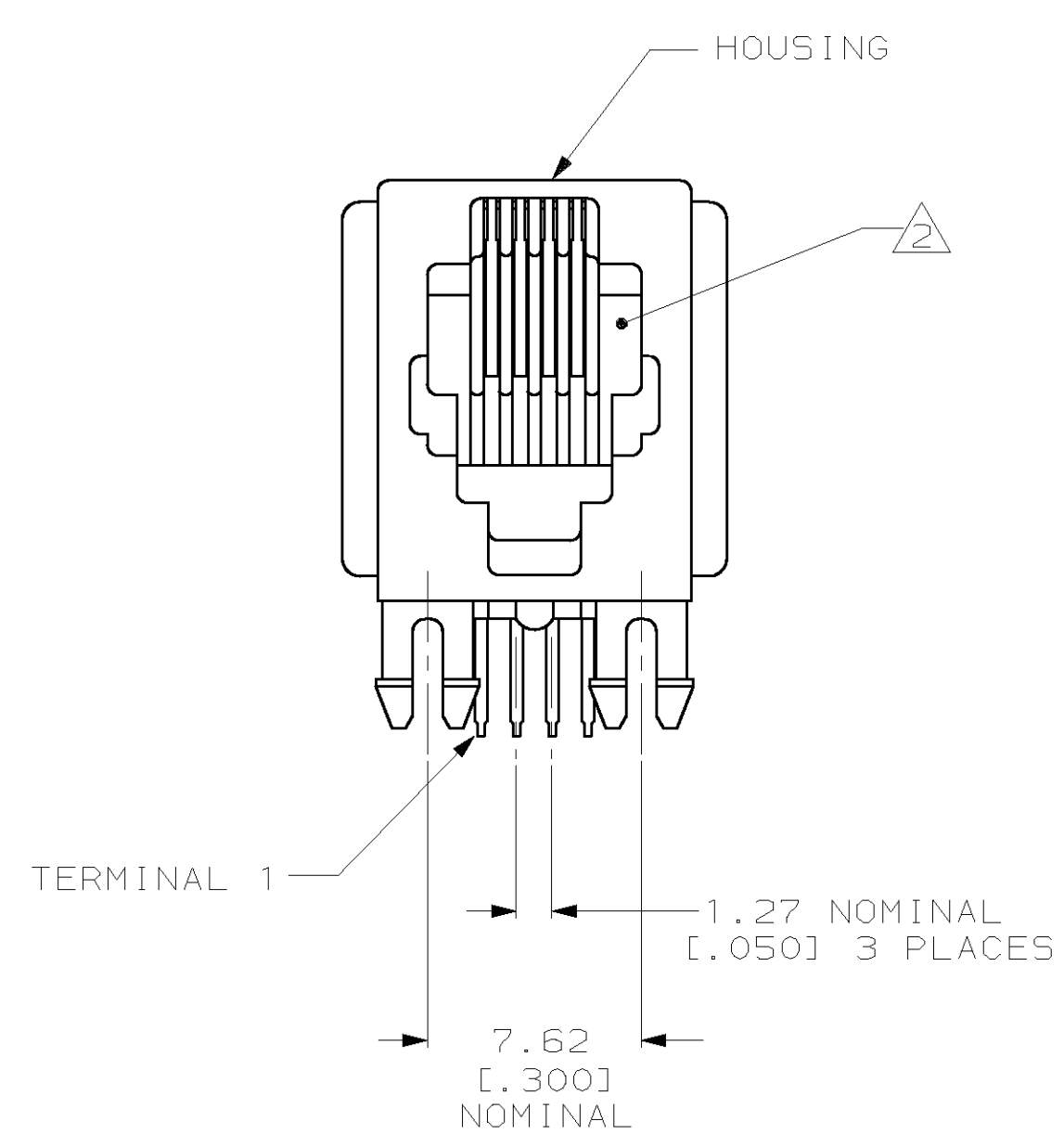
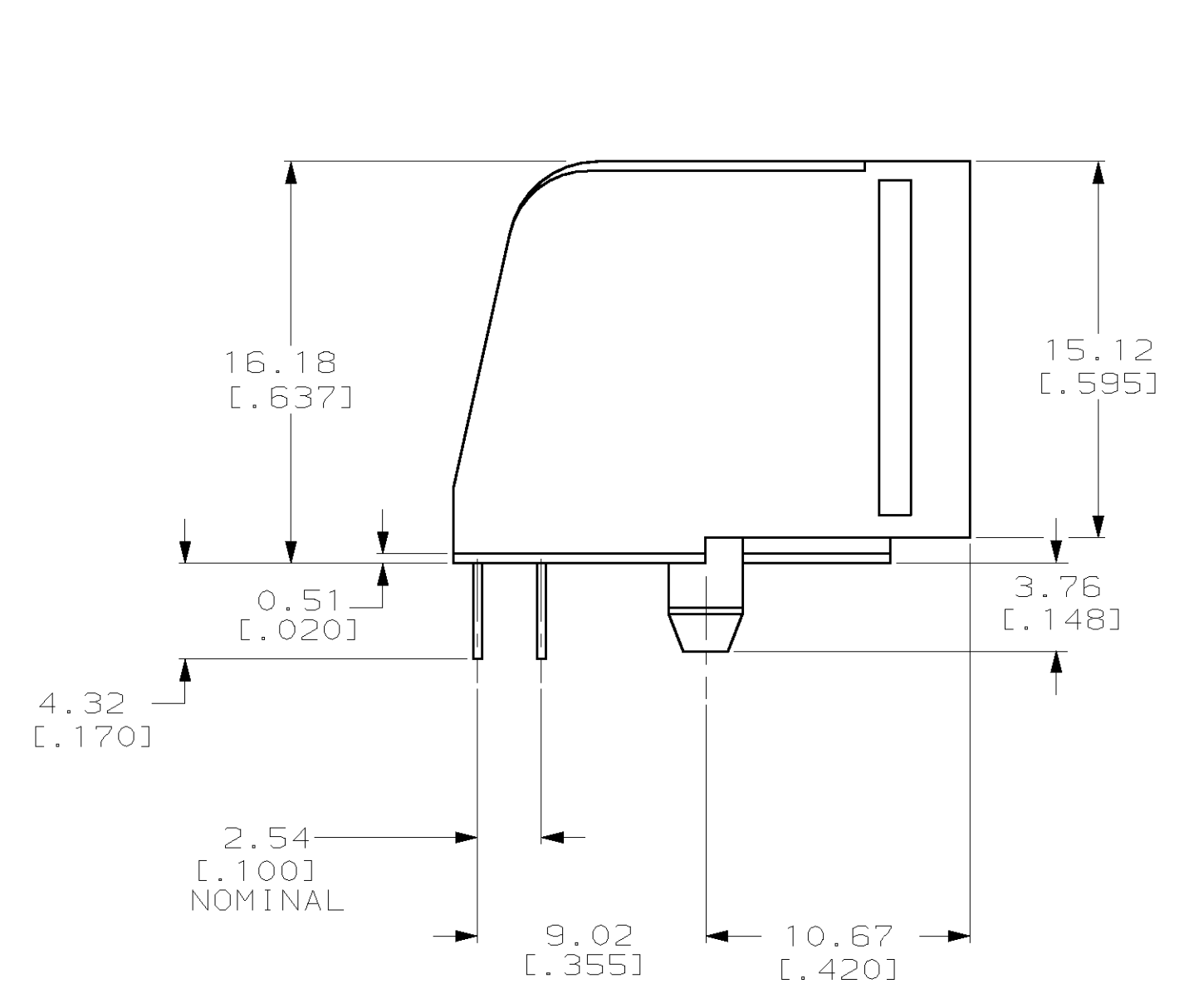
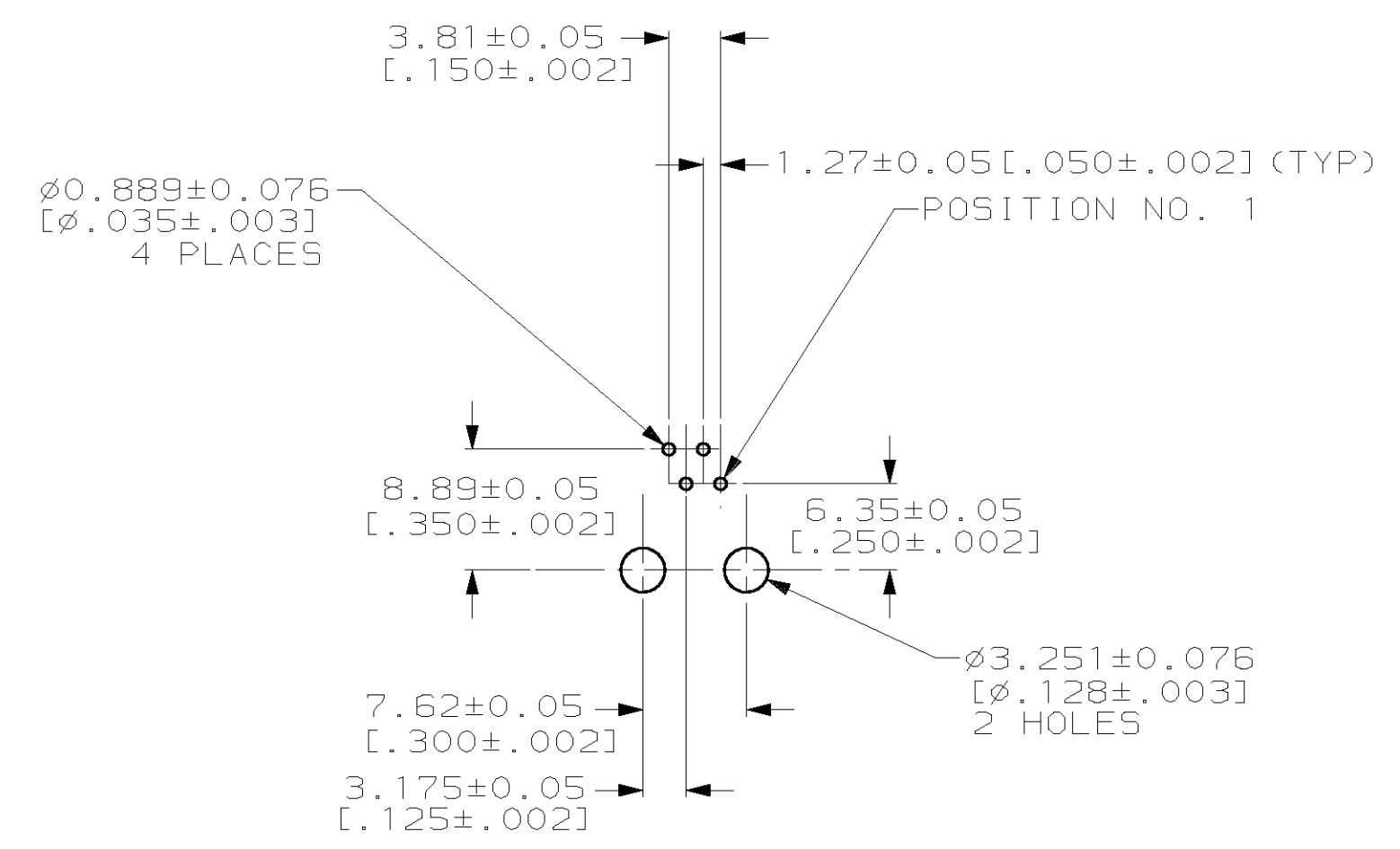


LOC	DIST	REV	DATE	BY	CHK	APPV
AA	22	S	20SEP01	DL	LL	V

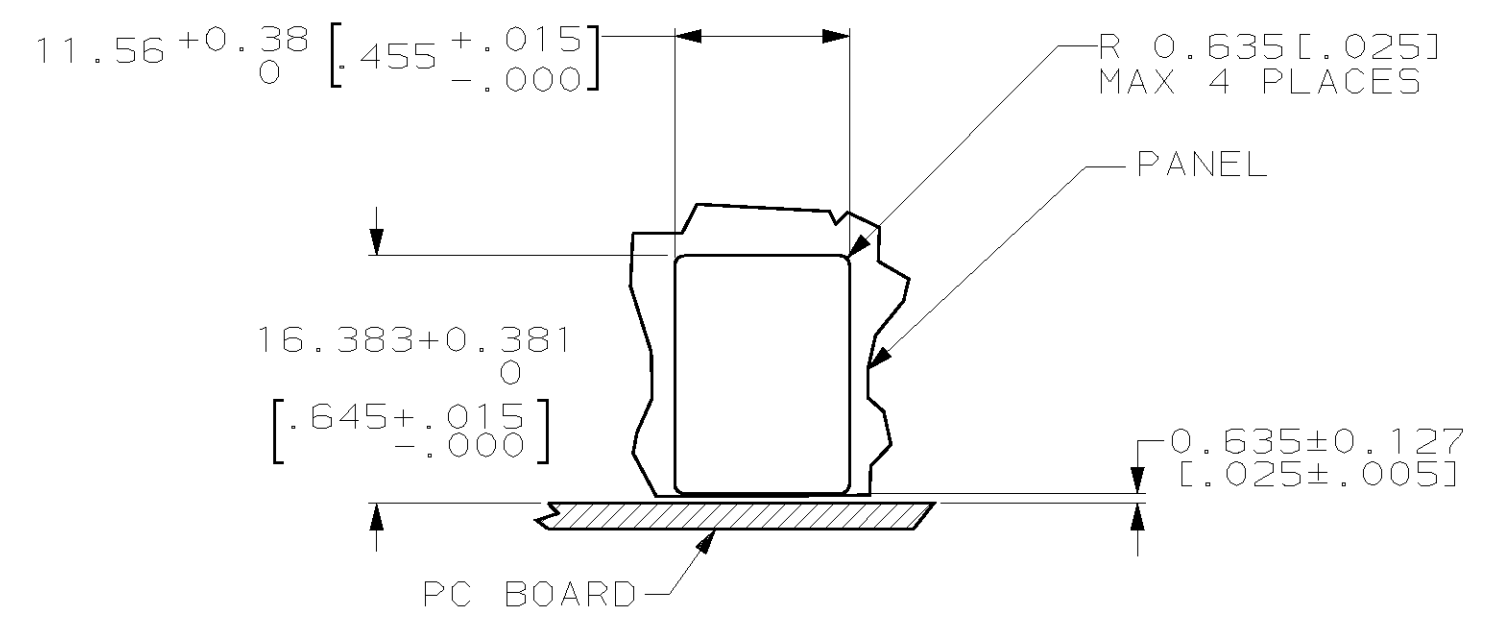
- REVISIONS
- 1 MATERIAL: HOUSING - POLYESTER, SEE TABLE FOR COLOR.  
 TERMINAL - 0.35[.0138] THICK PHOS-BRONZE PLATED WITH 1.27µm [.000050] THICK HARD GOLD IN LOCALIZED GOLD PLATE AREA AND 2.03µm [.000080] THICK TIN LEAD IN SOLDER AREA OVER 1.27µm [.000050] THICK NICKEL UNDERPLATE.
  - 2 CAVITY CONFORMS TO FCC RULES AND REGULATIONS PART 68 AND REA BULLETIN 345-81 PE 76 SPECIFICATION FOR MODULAR TELEPHONE HARDWARE.
  - 3 DIMENSION ARE MAXIMUM UNLESS OTHERWISE SPECIFIED.
  - 4 BULK PACKAGED IN A TRAY.
  - 5 PACKAGED 42 ASSEMBLIES PER TUBE WITH BOTH ENDS CLOSED, SEE DETAIL "A".
  - 6 VIEW SHOWN IS CIRCUIT SIDE (NON-COMPONENT) SIDE OF BOARD.



DETAIL A  
SCALE 2:1



SUGGESTED PRINTED  
CIRCUIT BOARD LAYOUT  
SCALE 2:1



SUGGESTED PANEL CUTOUT  
SCALE 2:1

REV	DESCRIPTION	DATE	BY	CHK	APPV
1	BLACK	4	520249-4		
2	DEC GRAY	4	520249-3		
3	BLACK	4	520249-2		

PACKAGED	COLOR	CONTACTS	PART NUMBER
4	BLACK	4	520249-4
4	DEC GRAY	4	520249-3
4	BLACK	4	520249-2

DIMENSIONS mm [INCHES]		TOLERANCES UNLESS OTHERWISE SPECIFIED.		DWN M. MARE 3-27-84	
0 PLC	±	3	±	AMP Incorporated Harrisburg, PA 17105-3608	
1 PLC	±	4	±	NAME PRINTED CIRCUIT BOARD MODULAR	
2 PLC	±	5	±	JACK ASSEMBLY, SIDE ENTRY, 4 POSITION, FLANGELESS, WITH PANEL STOPS	
3 PLC	±	6	±	SIZE A1	
4 PLC	±	7	±	CAGE CODE 00779	
ANGLES	±	8	±	DRAWING NO C-520249	
FINISH	±	9	±	WEIGHT -	
MATERIAL		FINISH		CUSTOMER DRAWING	
				SCALE 4:1 SHEET 1 OF 1 REV 5	

## X-ON Electronics

Largest Supplier of Electrical and Electronic Components

*Click to view similar products for [Lighting Connectors](#) category:*

*Click to view products by [TE Connectivity](#) manufacturer:*

Other Similar products are found below :

[21061-9](#) [293300-7](#) [2106117-2](#) [293660-5](#) [293700-2](#) [CNX\\_H03\\_NTP](#) [30-9767-BU](#) [3-21030-1](#) [ZCH-110-RGB-I](#) [503471-0290](#) [ES5P09K4F2](#)  
[CNXH02NTP](#) [ZCH-110-RGB-J](#) [217-0716-200](#) [192992-0057](#) [1954563-1](#) [217-3030-000](#) [217-3032-000](#) [237-0734-003](#) [DTS24W25-20PN-LC](#)  
[1-2213614-2](#) [2834049-3](#) [ES9S002SZZ](#) [2834049-2](#) [2-2834067-3](#) [1-293657-2](#) [2834049-1](#) [293699-2](#) [293701-3](#) [1-2213614-3](#) [2834036-1](#)  
[2834037-1](#) [2213614-3](#) [2307526-2](#) [2-2106124-3](#) [2-2834068-3](#) [FLS2SC4001BP](#) [FLSC80352000](#) [FLSC80354000](#) [FLSC80353000](#) [FLSSB8002](#)  
[FLSSB8001](#) [FLSC80351000](#) [FLSSB4001](#) [FLSC80504000](#) [FLSC80502000](#) [FLSC80501000](#) [FLSSR4001](#) [X3700WM-02HF-LPSN](#) [FLA-](#)  
[R4142-30](#)