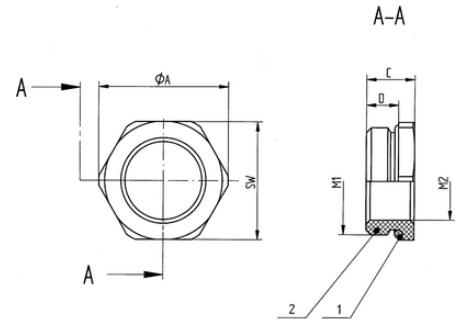


SKINDICHT® MR-M hex.

SKINDICHT® MR-M, reducer hexagonal, enables the use of cable gland with smaller connection threads than the existing threaded holes



Space requirement

Benefits

Enables the use of cable glands with smaller connection threads than the existing threaded holes
With guide notch for O-ring
Assembling with a wrench

Application range

Machines
Devices
Housings

Product Make-up

Metric connection thread acc. to DIN EN 60423
Basis for technical information DIN IEC 62444

Technical Data

Classification ETIM 5:

ETIM 5.0 Class-ID: EC000441

ETIM 5.0 Class-Description: Cable screw gland

Classification ETIM 6:

ETIM 6.0 Class-ID: EC000441

ETIM 6.0 Class-Description: Cable screw gland

On request:

FKM O-ring

-20 °C to +200 °C

Material:

Body: nickel-plated brass

O-ring: NBR

Temperature range:

-30 °C to +100 °C

Last Update (06.04.2018)

©2018 Lapp Group - Technical changes reserved

Product Management www.lappkabel.de

You can find the current technical data in the corresponding data sheet.

PN 0456 / 02_03.16

SKINDICHT® MR-M hex.**Note**

Photographs and graphics are not to scale and do not represent detailed images of the respective products.
Prices are net prices without VAT and surcharges. Sale to business customers only.

Article number	Thread, male M1	Thread, female M2	SW wrench size mm	Ø A (mm)	Overall length,
SKINDICHT® MR-M hex.					
52101965	16 x 1.5	12 x 1.5	18	20.2	8.5
52101966	20 x 1.5	16 x 1.5	22	24.4	9
52101967	25 x 1.5	16 x 1.5	28	31.2	10
52101968	25 x 1.5	20 x 1.5	28	31.2	10
52101969	32 x 1.5	16 x 1.5	36	40	11.5
52101972	32 x 1.5	20 x 1.5	36	40	11.5
52101973	32 x 1.5	25 x 1.5	36	40	11.5
52101974	40 x 1.5	25 x 1.5	43	47.5	12.5
52101975	40 x 1.5	32 x 1.5	43	47.5	12.5
52101976	50 x 1.5	40 x 1.5	54	58	14
52101977	63 x 1.5	50 x 1.5	67	74	14
52101979	75 x 1.5	63 x 1.5	80	90	17

Last Update (06.04.2018)

©2018 Lapp Group - Technical changes reserved

Product Management www.lappkabel.de

You can find the current technical data in the corresponding data sheet.

PN 0456 / 02_03.16

X-ON Electronics

Largest Supplier of Electrical and Electronic Components

Click to view similar products for [Cable Glands, Strain Reliefs & Cord Grips](#) category:

Click to view products by [Lapp Kabel](#) manufacturer:

Other Similar products are found below :

[120-116-1-1-20BP](#) [120-116-1-1-32BE](#) [120-117-40](#) [120-123-14](#) [120-123-16](#) [120-125-16](#) [120-125-16R](#) [120-125-16Y](#) [120-125-24Y](#) [120-125-28](#) [120-125-28R](#) [120-125-32](#) [120-125-32R](#) [120-125-40](#) [120-125-56](#) [120-126-14](#) [120-126-16](#) [120-126-20](#) [120-126-20BL](#) [120-126-20R](#) [120-126-24](#) [120-126-28](#) [120-126-32](#) [120-126-40BL](#) [120-116-1-1-06BP-509](#) [120-116-1-1-06CP](#) [120-116-1-1-16BE](#) [120-116-1-1-28BP](#) [120-123-20](#) [120-123-24](#) [120-123-32](#) [120-125-20](#) [120-125-20Y](#) [120-125-24](#) [120-125-24R](#) [120-125-28Y](#) [120-126-14BL](#) [120-126-16R](#) [120-126-16Y](#) [120-126-24BL](#) [120-126-28BL](#) [120-126-32BL](#) [120-126-40](#) [120-126-48](#) [120-126-48BL](#) [1300980012](#) [1300980105](#) [DBZM-6828](#) [1498](#) [15190-103 R2](#)