


U.I. Lapp GmbH	PRODUCT INFORMATION	
	SKINDICHT® MR-M hexagonal	14.11.2013

Enables the use of cable glands with smaller connection threads than the existing threaded holes
 With guide notch for O-ring
 Assembling with a wrench



Space requirement

Application range

Machines
 Devices
 Housings

Design

Metric connection thread acc. to EN 50262

Remark

Viton® is a registered trademark of DuPont de Nemours

Photographs are not to scale and do not represent detailed images of the respective products.

Technical Data

On request:

VITON® O-ring
 -20 °C to +200 °C

Material:

Body: nickel-plated brass
 O-ring: NBR


Temperature range:

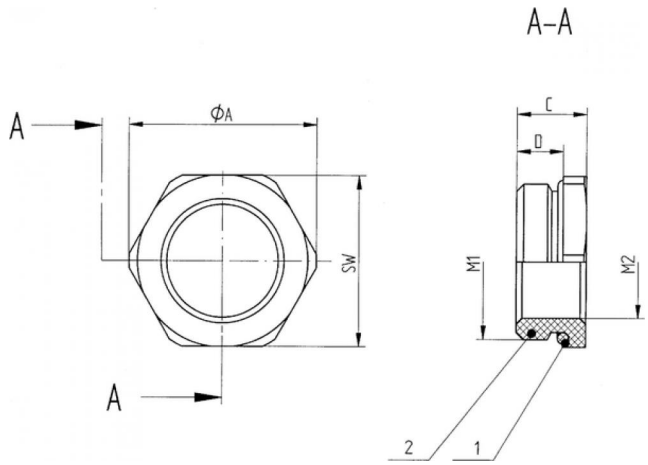
-30 °C to +100 °C



Product Management	Document: LAPP_PRO1034EN.pdf	1 / 3
--------------------	------------------------------	-------

Part number	Thread/ male M1	Thread/ female M2	SW (mm)	ØA [mm]	Overall length/ C (mm)	Thread length/ D (mm)	Out
SKINDICHT® MR-M hexagon							
52101965	16 x 1.5	12 x 1.5	18	20,2	8,5	5.5	
52101966	20 x 1.5	16 x 1.5	22	24,4	9.0	6.0	
52101967	25 x 1.5	16 x 1.5	28	31,2	10.0	6.5	
52101968	25 x 1.5	20 x 1.5	28	31,2	10.0	6.5	
52101969	32 x 1.5	16 x 1.5	36	40.0	11,5	8.0	
52101972	32 x 1.5	20 x 1.5	36	40.0	11,5	8.0	
52101973	32 x 1.5	25 x 1.5	36	40.0	11,5	8.0	
52101974	40 x 1.5	25 x 1.5	43	47,5	12,5	8.5	
52101975	40 x 1.5	32 x 1.5	43	47,5	12,5	8.5	
52101976	50 x 1.5	40 x 1.5	54	58.0	14.0	10.0	
52101977	63 x 1.5	50 x 1.5	67	74.0	14.0	9.5	
52101979	75 x 1.5	63 x 1.5	80	90.0	17.0	11.0	
SKINDICHT® MR-M, blank brass, with hexagon							
52006572	80 x 2	63 x 1.5	85		23.0	15.0	93

U.I. Lapp GmbH	PRODUCT INFORMATION	 LAPP GROUP
	SKINDICHT® MR-M hexagonal	14.11.2013



Product Management	Document: LAPP_PRO1034EN.pdf	3 / 3
--------------------	------------------------------	-------

X-ON Electronics

Largest Supplier of Electrical and Electronic Components

Click to view similar products for [Cable Glands, Strain Reliefs & Cord Grips](#) category:

Click to view products by [Lapp Kabel](#) manufacturer:

Other Similar products are found below :

[120-116-1-1-20BP](#) [120-116-1-1-32BE](#) [120-117-40](#) [120-123-14](#) [120-123-16](#) [120-125-16](#) [120-125-16R](#) [120-125-16Y](#) [120-125-24Y](#) [120-125-28](#) [120-125-28R](#) [120-125-32](#) [120-125-32R](#) [120-125-40](#) [120-125-56](#) [120-126-14](#) [120-126-16](#) [120-126-20](#) [120-126-20BL](#) [120-126-20R](#) [120-126-24](#) [120-126-28](#) [120-126-32](#) [120-126-40BL](#) [120-116-1-1-06BP-509](#) [120-116-1-1-06CP](#) [120-116-1-1-16BE](#) [120-116-1-1-28BP](#) [120-123-20](#) [120-123-24](#) [120-123-32](#) [120-125-20](#) [120-125-20Y](#) [120-125-24](#) [120-125-24R](#) [120-125-28Y](#) [120-126-14BL](#) [120-126-16R](#) [120-126-16Y](#) [120-126-24BL](#) [120-126-28BL](#) [120-126-32BL](#) [120-126-40](#) [120-126-48](#) [120-126-48BL](#) [1300980012](#) [1300980105](#) [DBZM-6828](#) [1498](#) [15190-103 R2](#)