

RRSN-2240-XX			
Ø'A'	Ø'B'	'L' LENGTH	PART No.
2.2 (0.087)	4 (0.158)	5 (0.197)	RRSN-2240-05
2.2 (0.087)	4 (0.158)	6 (0.236)	RRSN-2240-06
2.2 (0.087)	4 (0.158)	8 (0.315)	RRSN-2240-08
2.2 (0.087)	4 (0.158)	10 (0.394)	RRSN-2240-10
2.2 (0.087)	4 (0.158)	12 (0.473)	RRSN-2240-12
2.2 (0.087)	4 (0.158)	15 (0.591)	RRSN-2240-15
2.2 (0.087)	4 (0.158)	18 (0.709)	RRSN-2240-18
2.2 (0.087)	4 (0.158)	20 (0.788)	RRSN-2240-20

RRSN-3040-XX			
Ø'A'	Ø'B'	'L' LENGTH	PART No.
3.0 (0.118)	4 (0.158)	5 (0.197)	RRSN-3040-05
3.0 (0.118)	4 (0.158)	6 (0.236)	RRSN-3040-06
3.0 (0.118)	4 (0.158)	8 (0.315)	RRSN-3040-08
3.0 (0.118)	4 (0.158)	10 (0.394)	RRSN-3040-10
3.0 (0.118)	4 (0.158)	12 (0.473)	RRSN-3040-12
3.0 (0.118)	4 (0.158)	15 (0.591)	RRSN-3040-15
3.0 (0.118)	4 (0.158)	18 (0.709)	RRSN-3040-18
3.0 (0.118)	4 (0.158)	20 (0.788)	RRSN-3040-20

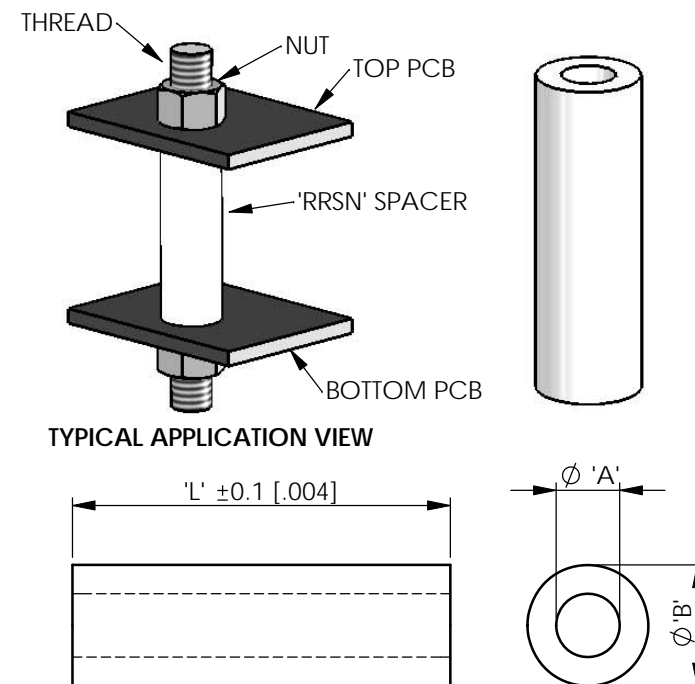
RRSN-2250-XX			
Ø'A'	Ø'B'	'L' LENGTH	PART No.
2.2 (0.087)	5 (0.197)	2 (0.079)	RRSN-2250-02
2.2 (0.087)	5 (0.197)	3 (0.119)	RRSN-2250-03
2.2 (0.087)	5 (0.197)	4 (0.158)	RRSN-2250-04
2.2 (0.087)	5 (0.197)	5 (0.197)	RRSN-2250-05
2.2 (0.087)	5 (0.197)	8 (0.315)	RRSN-2250-08
2.2 (0.087)	5 (0.197)	10 (0.394)	RRSN-2250-10
2.2 (0.087)	5 (0.197)	12 (0.473)	RRSN-2250-12
2.2 (0.087)	5 (0.197)	15 (0.591)	RRSN-2250-15
2.2 (0.087)	5 (0.197)	18 (0.709)	RRSN-2250-18
2.2 (0.087)	5 (0.197)	20 (0.788)	RRSN-2250-20
2.2 (0.087)	5 (0.197)	25 (0.985)	RRSN-2250-25
2.2 (0.087)	5 (0.197)	30 (1.182)	RRSN-2250-30

RRSN-3260-XX			
Ø'A'	Ø'B'	'L' LENGTH	PART No.
3.2 (0.126)	6 (0.236)	2 (0.079)	RRSN-3260-02
3.2 (0.126)	6 (0.236)	3 (0.119)	RRSN-3260-03
3.2 (0.126)	6 (0.236)	4 (0.158)	RRSN-3260-04
3.2 (0.126)	6 (0.236)	5 (0.197)	RRSN-3260-05
3.2 (0.126)	6 (0.236)	8 (0.315)	RRSN-3260-08
3.2 (0.126)	6 (0.236)	10 (0.394)	RRSN-3260-10
3.2 (0.126)	6 (0.236)	12 (0.473)	RRSN-3260-12
3.2 (0.126)	6 (0.236)	15 (0.591)	RRSN-3260-15
3.2 (0.126)	6 (0.236)	18 (0.709)	RRSN-3260-18
3.2 (0.126)	6 (0.236)	20 (0.788)	RRSN-3260-20
3.2 (0.126)	6 (0.236)	25 (0.985)	RRSN-3260-25
3.2 (0.126)	6 (0.236)	30 (1.182)	RRSN-3260-30
3.2 (0.126)	6 (0.236)	35 (1.377)	RRSN-3260-35
3.2 (0.126)	6 (0.236)	40 (1.575)	RRSN-3260-40

RRSN-2750-XX			
Ø'A'	Ø'B'	'L' LENGTH	PART No.
2.7 (0.106)	5 (0.197)	2 (0.079)	RRSN-2750-02
2.7 (0.106)	5 (0.197)	3 (0.119)	RRSN-2750-03
2.7 (0.106)	5 (0.197)	4 (0.158)	RRSN-2750-04
2.7 (0.106)	5 (0.197)	5 (0.197)	RRSN-2750-05
2.7 (0.106)	5 (0.197)	8 (0.315)	RRSN-2750-08
2.7 (0.106)	5 (0.197)	10 (0.394)	RRSN-2750-10
2.7 (0.106)	5 (0.197)	12 (0.473)	RRSN-2750-12
2.7 (0.106)	5 (0.197)	15 (0.591)	RRSN-2750-15
2.7 (0.106)	5 (0.197)	18 (0.709)	RRSN-2750-18
2.7 (0.106)	5 (0.197)	20 (0.788)	RRSN-2750-20
2.7 (0.106)	5 (0.197)	25 (0.985)	RRSN-2750-25
2.7 (0.106)	5 (0.197)	30 (1.182)	RRSN-2750-30

RRSN-3460-XX			
Ø'A'	Ø'B'	'L' LENGTH	PART No.
3.4 (0.134)	6 (0.236)	5 (0.197)	RRSN-3460-05
3.4 (0.134)	6 (0.236)	6 (0.236)	RRSN-3460-06
3.4 (0.134)	6 (0.236)	8 (0.315)	RRSN-3460-08
3.4 (0.134)	6 (0.236)	10 (0.394)	RRSN-3460-10
3.4 (0.134)	6 (0.236)	12 (0.473)	RRSN-3460-12
3.4 (0.134)	6 (0.236)	15 (0.591)	RRSN-3460-15
3.4 (0.134)	6 (0.236)	18 (0.709)	RRSN-3460-18
3.4 (0.134)	6 (0.236)	20 (0.788)	RRSN-3460-20

REV	MODIFICATION	DATE	DRN
04	ECN 04-217	09/12/04	NJB
05	ECN 07-218	06/12/07	NJB
06	CO2010276	07/07/08	TC
07	CO2010932	04/06/10	SF



INFORMATION CONTAINED IN THIS DOCUMENT IS CONFIDENTIAL TO RICHCO INTERNATIONAL Co. Ltd. AND MAY NOT BE DISCLOSED OR REPRODUCED IN WHOLE OR PART WITHOUT THEIR WRITTEN CONSENT.

RICHCO, INC.
WWW.RICHCO-INC.COM

METRIC GENERAL TOLERANCES ±0.25
ARE PRIMARY UNLESS OTHERWISE STATED
1 DECIMAL PLACE ± .25
2 DECIMAL PLACES ± .10
ANGULAR ±1°

IMPERIAL GENERAL TOLERANCES ±0.10
ARE FOR REFERENCE UNLESS OTHERWISE STATED
1 DECIMAL PLACE ± .010
2 DECIMAL PLACES ± .004
ANGULAR ±1°

MATERIAL:
POLYSTYRENE (RMS-163)

DESCRIPTION:
ROUND SPACERS

COLOUR:
WHITE

THIRD ANGLE

DRG No:
04-082

PART No:
RRSN-XXXX-XX

SHEET SIZE
A4

DRN
NJB

DATE
30/07/04

CHKD
RC

DATE
20/10/04

SCALE
NTS

SHEET No.
1 OF 2

NOTES:
1) PRIMARY DIMS IN mm, SECONDARY DIMS IN [INCHES]
2) SEE SHEET 2 FOR RRSN-3548/4280/4570/52100/6290.
3) PARTS AVAILABLE IN BLACK(RMS-090). ADD "-GF" TO END OF PART NUMBER. EXAMPLE:" RRSN-3250-03-GF".

RRSN-3548-XX			
Ø 'A'	Ø 'B'	'L' LENGTH	PART No.
3.5 (0.138)	4.8 (0.189)	5 (0.197)	RRSN-3548-05
3.5 (0.138)	4.8 (0.189)	6 (0.236)	RRSN-3548-06
3.5 (0.138)	4.8 (0.189)	8 (0.315)	RRSN-3548-08
3.5 (0.138)	4.8 (0.189)	10 (0.394)	RRSN-3548-10
3.5 (0.138)	4.8 (0.189)	12 (0.473)	RRSN-3548-12
3.5 (0.138)	4.8 (0.189)	15 (0.591)	RRSN-3548-15

RRSN-52100-XX			
Ø 'A'	Ø 'B'	'L' LENGTH	PART No.
5.2 (0.205)	10 (0.394)	2 (0.079)	RRSN-52100-02
5.2 (0.205)	10 (0.394)	3 (0.119)	RRSN-52100-03
5.2 (0.205)	10 (0.394)	4 (0.158)	RRSN-52100-04
5.2 (0.205)	10 (0.394)	5 (0.197)	RRSN-52100-05
5.2 (0.205)	10 (0.394)	8 (0.315)	RRSN-52100-08
5.2 (0.205)	10 (0.394)	10 (0.394)	RRSN-52100-10
5.2 (0.205)	10 (0.394)	12 (0.473)	RRSN-52100-12
5.2 (0.205)	10 (0.394)	15 (0.591)	RRSN-52100-15
5.2 (0.205)	10 (0.394)	18 (0.709)	RRSN-52100-18
5.2 (0.205)	10 (0.394)	20 (0.788)	RRSN-52100-20
5.2 (0.205)	10 (0.394)	25 (0.985)	RRSN-52100-25
5.2 (0.205)	10 (0.394)	30 (1.182)	RRSN-52100-30
5.2 (0.205)	10 (0.394)	35 (1.377)	RRSN-52100-35
5.2 (0.205)	10 (0.394)	40 (1.575)	RRSN-52100-40

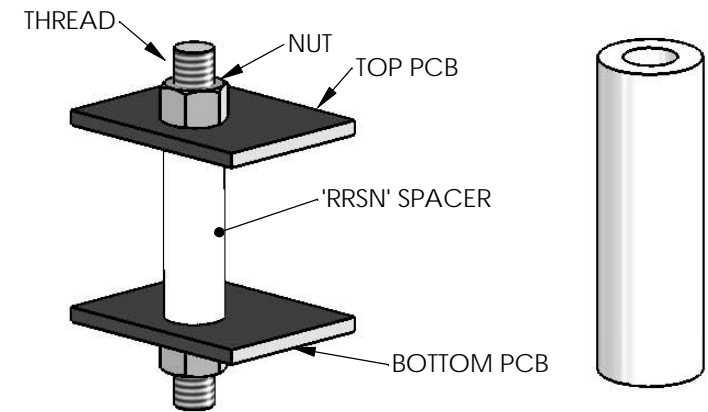
RRSN-4280-XX			
Ø 'A'	Ø 'B'	'L' LENGTH	PART No.
4.2 (0.166)	8 (0.315)	2 (0.079)	RRSN-4280-02
4.2 (0.166)	8 (0.315)	3 (0.119)	RRSN-4280-03
4.2 (0.166)	8 (0.315)	4 (0.158)	RRSN-4280-04
4.2 (0.166)	8 (0.315)	5 (0.197)	RRSN-4280-05
4.2 (0.166)	8 (0.315)	8 (0.315)	RRSN-4280-08
4.2 (0.166)	8 (0.315)	10 (0.394)	RRSN-4280-10
4.2 (0.166)	8 (0.315)	12 (0.473)	RRSN-4280-12
4.2 (0.166)	8 (0.315)	15 (0.591)	RRSN-4280-15
4.2 (0.166)	8 (0.315)	18 (0.709)	RRSN-4280-18
4.2 (0.166)	8 (0.315)	20 (0.788)	RRSN-4280-20
4.2 (0.166)	8 (0.315)	25 (0.985)	RRSN-4280-25
4.2 (0.166)	8 (0.315)	30 (1.182)	RRSN-4280-30
4.2 (0.166)	8 (0.315)	35 (1.377)	RRSN-4280-35
4.2 (0.166)	8 (0.315)	40 (1.575)	RRSN-4280-40

RRSN-6290-XX			
Ø 'A'	Ø 'B'	'L' LENGTH	PART No.
6.2 (0.244)	9 (0.354)	5 (0.197)	RRSN-6290-05
6.2 (0.244)	9 (0.354)	6 (0.236)	RRSN-6290-06
6.2 (0.244)	9 (0.354)	8 (0.315)	RRSN-6290-08
6.2 (0.244)	9 (0.354)	10 (0.394)	RRSN-6290-10
6.2 (0.244)	9 (0.354)	12 (0.473)	RRSN-6290-12
6.2 (0.244)	9 (0.354)	15 (0.591)	RRSN-6290-15
6.2 (0.244)	9 (0.354)	18 (0.709)	RRSN-6290-18
6.2 (0.244)	9 (0.354)	20 (0.788)	RRSN-6290-20

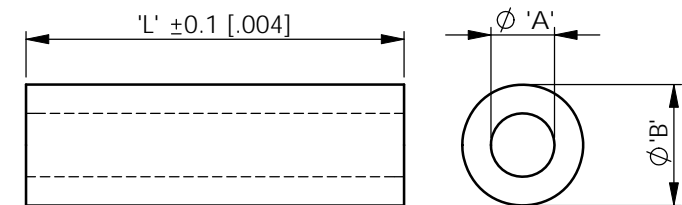
RRSN-4570-XX			
Ø 'A'	Ø 'B'	'L' LENGTH	PART No.
4.5 (0.177)	7 (0.276)	5 (0.197)	RRSN-4570-05
4.5 (0.177)	7 (0.276)	6 (0.236)	RRSN-4570-06
4.5 (0.177)	7 (0.276)	8 (0.315)	RRSN-4570-08
4.5 (0.177)	7 (0.276)	10 (0.394)	RRSN-4570-10
4.5 (0.177)	7 (0.276)	12 (0.473)	RRSN-4570-12
4.5 (0.177)	7 (0.276)	15 (0.591)	RRSN-4570-15
4.5 (0.177)	7 (0.276)	18 (0.709)	RRSN-4570-18
4.5 (0.177)	7 (0.276)	20 (0.788)	RRSN-4570-20

NOTES:
 1) PRIMARY DIMS IN mm, SECONDARY DIMS IN [INCHES]
 2) SEE SHEET 1 FOR RRSN-2240/2250/2750/3040/3260/3460
 3) PARTS AVAILABLE IN BLACK(RMS-090). ADD "-GF" TO END OF PART NUMBER. EXAMPLE:" RRSN-3250-03-GF".

REV	MODIFICATION	DATE	DRN
04	ECN 04-217	09/12/04	NJB
05	ECN 07-218	06/12/07	NJB
06	CO2010276	07/07/08	TC
07	CO2010932	04/06/10	SF



TYPICAL APPLICATION VIEW



INFORMATION CONTAINED IN THIS DOCUMENT IS CONFIDENTIAL TO RICHCO INTERNATIONAL Co. Ltd. AND MAY NOT BE DISCLOSED OR REPRODUCED IN WHOLE OR PART WITHOUT THEIR WRITTEN CONSENT.

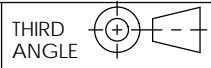
RICHCO, INC.
 WWW.RICHCO-INC.COM

METRIC GENERAL TOLERANCES ±0.25
 ARE PRIMARY UNLESS OTHERWISE STATED
 1 DECIMAL PLACE ± 0.25
 2 DECIMAL PLACES ± 0.1
 ANGULAR ±1°
 IMPERIAL GENERAL TOLERANCES ±0.010
 ARE FOR REFERENCE UNLESS OTHERWISE STATED
 1 DECIMAL PLACE ± .010
 2 DECIMAL PLACES ± .004
 ANGULAR ±1°

MATERIAL:
 POLYSTYRENE (RMS-163)

DESCRIPTION:
 ROUND SPACERS

COLOUR:
 WHITE



DRG No:
 04-082

PART No:
 RRSN-XXXX-XX

SHEET SIZE
 A4

DRN
 NJB

DATE
 30/07/04

CHKD
 RC

DATE
 20/10/04

SCALE
 NTS

SHEET No.
 2 OF 2

X-ON Electronics

Largest Supplier of Electrical and Electronic Components

Click to view similar products for [Standoffs & Spacers](#) category:

Click to view products by [Richco](#) manufacturer:

Other Similar products are found below :

[M0513-3-N](#) [M0516-3-N](#) [M0517-3-N](#) [M0518-3-N](#) [M0521-3-N](#) [M0524-3-N](#) [M0532-35-AL](#) [M0532-35-N](#) [M0543-4-AL](#) [M0544-35-N](#) [M0544-3-N](#) [M0545-3-AL](#) [M0553-3-N](#) [M0564-4-N](#) [M0608-5-SS](#) [M0609-5-SS](#) [M0610-35-AL](#) [M0613-3-N](#) [M0651-5-SS](#) [M0653-35-N](#) [M0654-4-SS](#) [M0655-5-AL](#) [M0655-5-N](#) [M0660-4-AL](#) [M0660-4-N](#) [M0670-35-N](#) [M0671-5-N](#) [M0671-5-SS](#) [M0722-5-N](#) [M0725-6-N](#) [M0731-4-N](#) [M0904-B-25-AL](#) [M1273-2545-AL](#) [M1273-3005-AL](#) [M1303-3506-AL](#) [M1307-3506-AL](#) [M1313-3005-N](#) [M1313-4007-AL](#) [M1314-3005-AL](#) [M1314-3005-SS](#) [M1315-3005-SS](#) [M1315-4007-N](#) [M1317-3506-AL](#) [M1317-4007-SS](#) [M1318-3005-SS](#) [M1320-3005-AL](#) [M1320-3005-N](#) [M1321-3005-SS](#) [M1321-4007-AL](#) [M1322-4007-N](#)