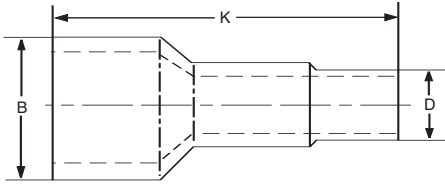


Accessories

Boot

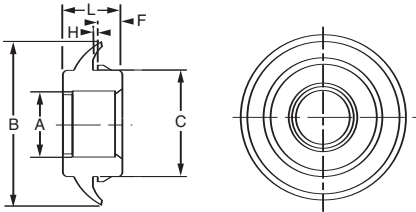
Seals wired cable jackets to connector housing. It also provides abrasion resistance.



| For connector size | Order ref. | B Ø max. | D Ø max. | outer cable Ø | K max. |
|--------------------|--------------|-------------|-------------|---------------|-----------|
| 2 contacts | 317-1398-000 | 16,51 | 9,65 | 5,28 – 5,79 | 52,07 |
| 3/4 contacts | 317-1397-000 | 15,49 | 9,65 | 5,59 – 6,10 | 52,07 |
| 3/4 contacts | 317-1399-000 | 19,05 | 12,70 | 8,76 – 9,65 | 52,07 |
| 5/7 contacts | 317-8657-000 | 27,0 | 12,50 | 7,20 – 8,40 | 62,00 |
| 8/9/10 cont. | 317-8657-002 | 31,2 | 16,2 | 10 – 12,4 | 63,7 |

Grommet

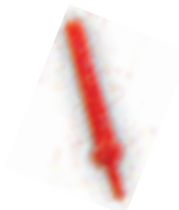
Grommets enable panel mounting of either plugs or receptacle. It snaps into a hole of a panel so non-flanged plugs or receptacles can be mounted.



| For connector size | Order ref. | A Ø max. | B Ø max. | C Ø max. | F max. | H max. | L max. |
|--------------------|--------------|-------------|-------------|-------------|-----------|-----------|-----------|
| 2 contacts | 315-1640-000 | 10,41 | 32,39 | 19,18 | 5,84 | 1,40 | 17,53 |
| 3/4 contacts | 315-1641-000 | 11,94 | 32,39 | 19,18 | 5,84 | 1,40 | 17,53 |
| 5/6/7 contacts | 315-1633-000 | 19,43 | 55,88 | 36,70 | 8,00 | 1,65 | 20,57 |
| 8/9/10 cont. | 315-1634-000 | 22,61 | 55,88 | 36,70 | 8,00 | 1,65 | 20,57 |

Wire Fillers

Wire hole fillers are inserted into unused cavities instead of a contact in order to create a watertight sealing.

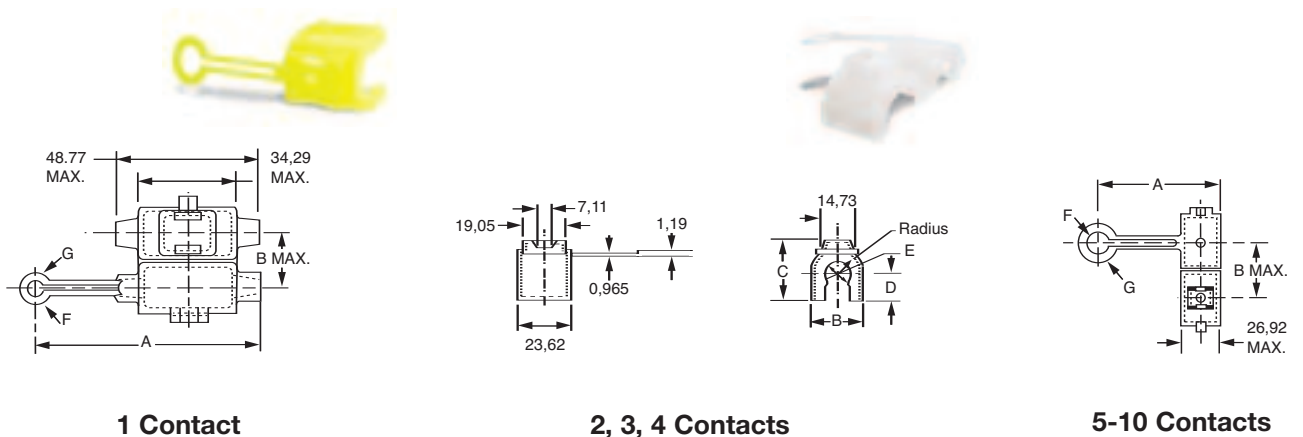
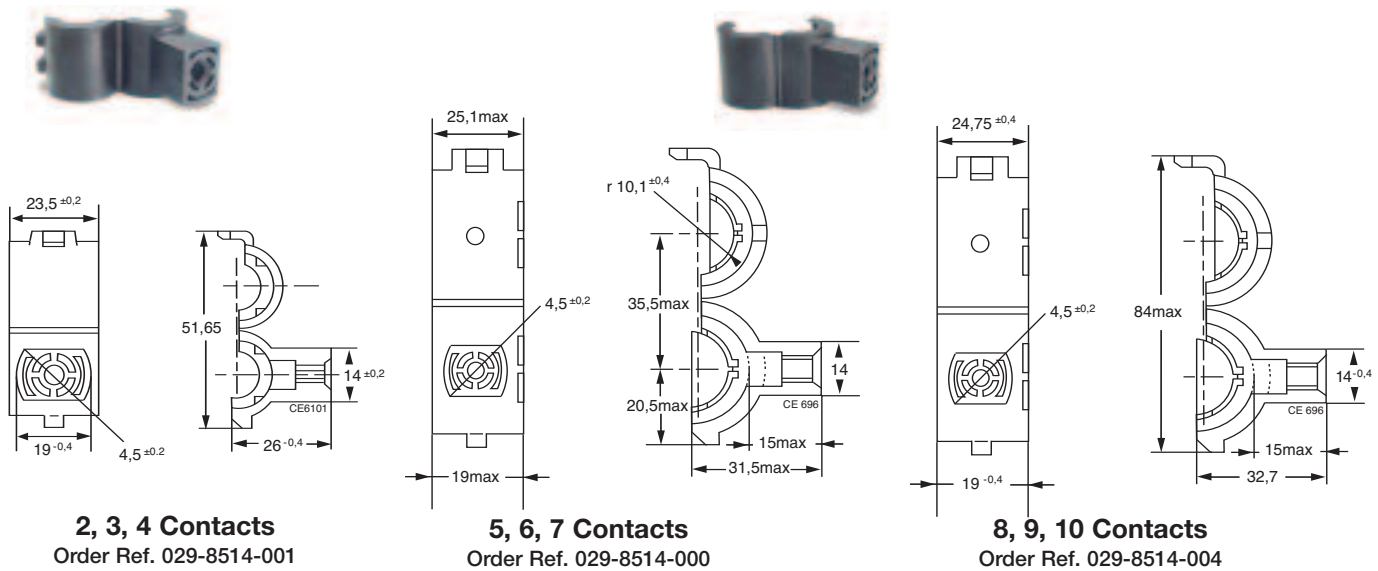


Wire hole filler
Part Number 225-1012-000

Wire hole filler
Part Number 225-0093-000

Accessories Clip/clamp

Clips/Clamps can be used as an extra lock to secure two connector halves. Due to its design it also offers the possibility for fixed mounting a mated pair by using a screw or a cable tie.



Clip/clamp

Clamps plug and receptacle in mated condition

| Connector size | Color of clip/clamp | Order ref. | A max. | B | C | D | E Ø | F max. | G max. |
|-----------------|---------------------|--------------|--------|-------|-------|-------|-------|--------|--------|
| 1 contact | Black | 026-0452-000 | 56,52 | 18,80 | - | - | - | 5,33 | 9,91 |
| 2 contacts | Red | 029-0263-000 | - | 22,61 | 25,40 | 10,67 | - | - | - |
| 3/4 contacts | Yellow | 029-0262-000 | - | 23,62 | 26,67 | 11,43 | 12,19 | - | - |
| 5/6/7 contacts | Natural | 026-0450-000 | 77,34 | 35,43 | - | - | - | 15,49 | 23,11 |
| 8/9/10 contacts | Black | 026-0451-000 | 77,34 | 38,61 | - | - | - | 16,76 | 24,38 |

Dimensions shown in mm

Specifications and dimensions subject to change

www.ittcannon.com

X-ON Electronics

Largest Supplier of Electrical and Electronic Components

Click to view similar products for [Cable Glands, Strain Reliefs & Cord Grips](#) category:

Click to view products by [ITT](#) manufacturer:

Other Similar products are found below :

[120-116-1-1-20BP](#) [120-116-1-1-32BE](#) [120-117-40](#) [120-123-14](#) [120-123-16](#) [120-125-16](#) [120-125-16R](#) [120-125-16Y](#) [120-125-24Y](#) [120-125-28](#) [120-125-28R](#) [120-125-32](#) [120-125-32R](#) [120-125-40](#) [120-125-56](#) [120-126-14](#) [120-126-16](#) [120-126-20](#) [120-126-20BL](#) [120-126-20R](#) [120-126-24](#) [120-126-28](#) [120-126-32](#) [120-126-40BL](#) [120-116-1-1-06BP-509](#) [120-116-1-1-06CP](#) [120-116-1-1-16BE](#) [120-116-1-1-28BP](#) [120-123-20](#) [120-123-24](#) [120-123-32](#) [120-125-20](#) [120-125-20Y](#) [120-125-24](#) [120-125-24R](#) [120-125-28Y](#) [120-126-14BL](#) [120-126-16R](#) [120-126-16Y](#) [120-126-24BL](#) [120-126-28BL](#) [120-126-32BL](#) [120-126-40](#) [120-126-48](#) [120-126-48BL](#) [1300980012](#) [1300980105](#) [DBZM-6828](#) [1498](#) [15190-103 R2](#)