

# ROHS COMPLIANT

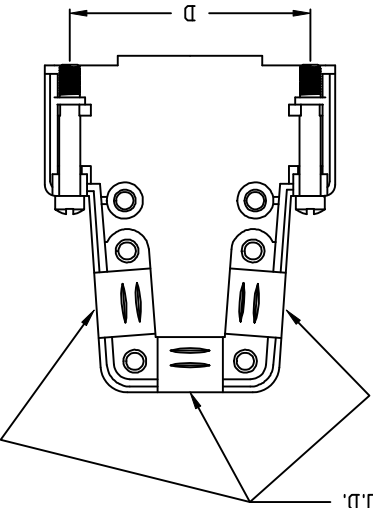
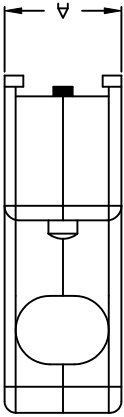
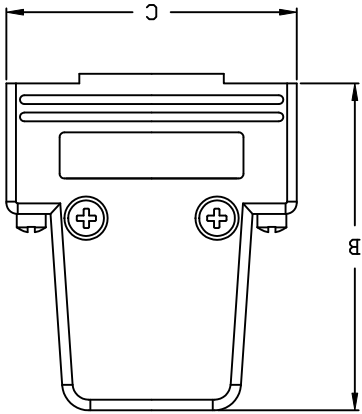


## MH CONNECTORS LTD.

BACKSHELL PLASTIC: ABS - UL RECOGNIZED  
 PLATING: NICKEL  
 4-40 JACKSCREWS: STEEL - STEEL - Zn PLATED  
 HOUSING SCREWS: STEEL - STEEL - Zn PLATED  
 STRAIN RELIEF CLAMP: STEEL - Zn PLATED  
 CABLE SLOT SHUT-OFFS: ABS - UL RECOGNIZED - NICKEL PLATED  
 OPERATING TEMP: -55°C TO +110°C

### MATERIAL:

- BACKSHELL KIT INCLUDES:**
- (2) BACKSHELL HAVLES
  - (2) 4-40 JACKSCREWS
  - (2) HOUSING SCREWS (self-tapping)
  - (2) STRAIN RELIEF CLAMP
  - (4) STRAIN RELIEF SCREWS (self-tapping)
  - (2) CABLE SLOT SHUT-OFFS



E = MAX CABLE O.D.

DIMENSIONS (mm/in)		A	B	C	D	E
SIZE		±.38 ±.015	±.25 ±.010	±.38 ±.015	±.38 ±.015	
9	15.00	45.20	31.00	24.99	5.84	
	0.590	1.780	1.220	0.984	0.230	
15	15.00	45.20	40.30	33.32	8.63	
	0.590	1.780	1.587	1.312	0.340	
25	15.00	45.20	53.50	47.04	10.16	
	0.590	1.780	2.106	1.852	0.400	
37	15.00	45.20	70.00	63.50	10.54	
	0.590	1.780	2.756	2.500	0.415	

### ORDERING INFORMATION:

SIZE	P/N KITTED:	PRODUCT CODE:
9-WAY	6550-0100-01	MHTRI-M-09-K
15-WAY	6550-0100-02	MHTRI-M-15-K
25-WAY	6550-0100-03	MHTRI-M-25-K
37-WAY	6550-0100-04	MHTRI-M-37-K

THESE DRAWINGS AND SPECIFICATIONS ARE THE PROPERTY OF MH CONNECTORS LTD. AND SHALL NOT BE REPRODUCED, COPIED OR USED AS THE BASIS FOR THE MANUFACTURE OR SALE OF APPARATUS WITHOUT WRITTEN PERMISSION.

DRAWN

P. JENKINS

DATE 03-14-12

APPROVED

D. CROFT

DATE 03-14-12

SCALE

NTS

SHEET 1 OF 1

REV: A

DRAWING No

MHTRI-M SERIES

## X-ON Electronics

Largest Supplier of Electrical and Electronic Components

*Click to view similar products for [D-Sub Standard Connectors](#) category:*

*Click to view products by [MH Connectors](#) manufacturer:*

Other Similar products are found below :

[DCM37S732N](#) [DAM15P500](#) [DEV09S364GTLF](#) [DEM09P032N](#) [DDM50P732N](#) [DAM15S332N](#) [173109-2218](#) [173109-2466](#) [173109-2436](#)  
[173109-2435](#) [56F706-005-LI](#) [56F711-015](#) [015-0341-000](#) [015-0372-008](#) [015-8544-011](#) [017041-0005](#) [020419-0104](#) [012-0515-000](#) [012-9507-](#)  
[034](#) [012-9507-114](#) [012-9534-001](#) [020745-0008](#) [609-25P](#) [M24308/2-23Z](#) [M243082310F](#) [M243082410F](#) [M243082411F](#) [M24308/4-21](#)  
[CT1A18-11PSA206](#) [CT1N36-5SC](#) [CT2-16S-17PS](#) [CT2-20-15PCAU](#) [CT2-24-12PS](#) [CT2-24-28PSF127A206](#) [CT2-32-9PC](#) [CT6F9767-14-4-](#)  
[14S-5PC](#) [CT6FA10SL-4PS](#) [CT7-18-10SC](#) [CT7-18-10SCAU](#) [CT7-18-12SCAU](#) [CT7-18-1PC](#) [CT7-18-1PCAU](#) [CT7-18-21SCAU](#) [M83513/01-](#)  
[FC](#) [M83723/76W24619 L/C](#) [M85049/48-3-2F](#) [69001-865](#) [6STD09PCM99B70X](#) [6STD09SCM99B30X](#) [6STD09SCT99S40X](#)