

ROHS COMPLIANT



MH CONNECTORS LTD.

DRAWING No		MHTRI-P SERIES	
SCALE	NTS	SHEET	OF
1	1	1	1
REV:	REV:	REV:	REV:
A	A	A	A

THESE DRAWINGS AND SPECIFICATIONS ARE THE PROPERTY OF MH CONNECTORS LTD. AND SHALL NOT BE REPRODUCED, COPIED OR USED AS THE BASIS FOR THE MANUFACTURE OR SALE OF APPARATUS WITHOUT WRITTEN PERMISSION.

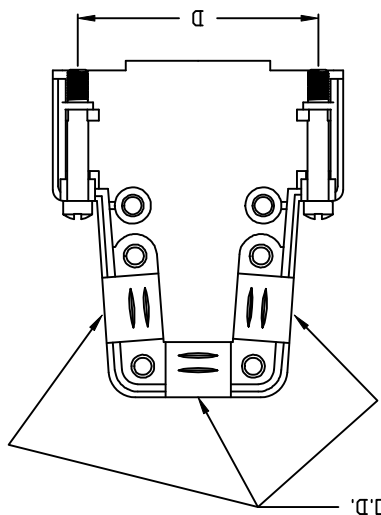
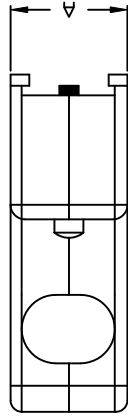
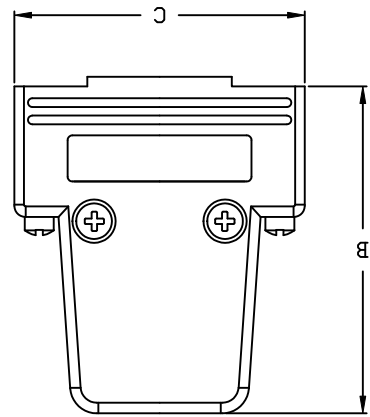
DRAWN	P. JENKINS	DATE	03-14-12
APPROVED	D. CROFT	DATE	03-14-12

BACKSHELL PLASTIC: ABS - BLACK - UL RECOGNIZED
 4-40 JACKSCREWS: STEEL - BLACK OXIDE
 HOUSING SCREWS: STEEL - BLACK OXIDE
 STRAIN RELIEF CLAMP: STEEL - ZN PLATED
 STRAIN RELIEF SCREWS: STEEL - ZN PLATED
 CABLE SLOT SHUTOFFS: ABS - BLACK - UL RECOGNIZED
 OPERATING TEMP: -55°C TO +110°C

MATERIAL:

ORDERING INFORMATION:

SIZE	P/N KITTED:	PRODUCT CODE:
37-WAY	6550-0101-04	MHTRI-P-37-K
25-WAY	6550-0101-03	MHTRI-P-25-K
15-WAY	6550-0101-02	MHTRI-P-15-K
9-WAY	6550-0101-01	MHTRI-P-09-K



E = MAX CABLE O.D.

- BACKSHELL KIT INCLUDES:**
- (2) BACKSHELL HAVLES
 - (2) 4-40 JACKSCREWS
 - (2) HOUSING SCREWS (self-tapping)
 - (2) STRAIN RELIEF CLAMP
 - (4) STRAIN RELIEF SCREWS (self-tapping)
 - (2) CABLE SLOT SHUT-OFFS

SIZE	A	B	C	D	E
37	15.00 ±.38	45.20 ±.25	70.00 ±.15	2.500	0.415
25	15.00 ±.38	45.20 ±.25	53.50 ±.12	2.500	0.415
15	15.00 ±.38	45.20 ±.25	47.04 ±.12	2.500	0.415
9	15.00 ±.38	45.20 ±.25	40.30 ±.12	2.500	0.415

DIMENSIONS (mm/in)

X-ON Electronics

Largest Supplier of Electrical and Electronic Components

Click to view similar products for [D-Sub Standard Connectors](#) category:

Click to view products by [MH Connectors](#) manufacturer:

Other Similar products are found below :

[DCM37S732N](#) [DAM15P500](#) [DEV09S364GTLF](#) [DEM09P032N](#) [DDM50P732N](#) [DAM15S332N](#) [173109-2218](#) [173109-2466](#) [173109-2436](#)
[173109-2435](#) [56F706-005-LI](#) [56F711-015](#) [015-0341-000](#) [015-0372-008](#) [015-8544-011](#) [017041-0005](#) [020419-0104](#) [012-0515-000](#) [012-9507-](#)
[034](#) [012-9507-114](#) [012-9534-001](#) [020745-0008](#) [609-25P](#) [M24308/2-23Z](#) [M243082310F](#) [M243082410F](#) [M243082411F](#) [M24308/4-21](#)
[CT1A18-11PSA206](#) [CT1N36-5SC](#) [CT2-16S-17PS](#) [CT2-20-15PCAU](#) [CT2-24-12PS](#) [CT2-24-28PSF127A206](#) [CT2-32-9PC](#) [CT6F9767-14-4-](#)
[14S-5PC](#) [CT6FA10SL-4PS](#) [CT7-18-10SC](#) [CT7-18-10SCAU](#) [CT7-18-12SCAU](#) [CT7-18-1PC](#) [CT7-18-1PCAU](#) [CT7-18-21SCAU](#) [M83513/01-](#)
[FC](#) [M83723/76W24619 L/C](#) [M85049/48-3-2F](#) [69001-865](#) [6STD09PCM99B70X](#) [6STD09SCM99B30X](#) [6STD09SCT99S40X](#)