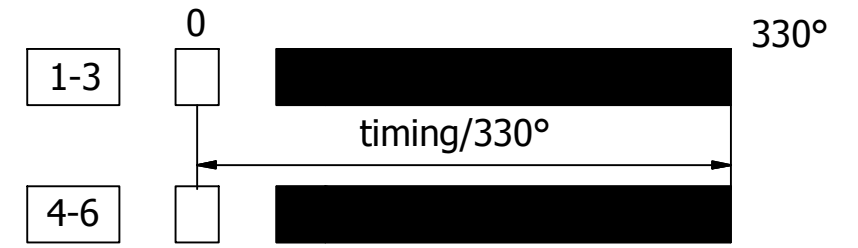
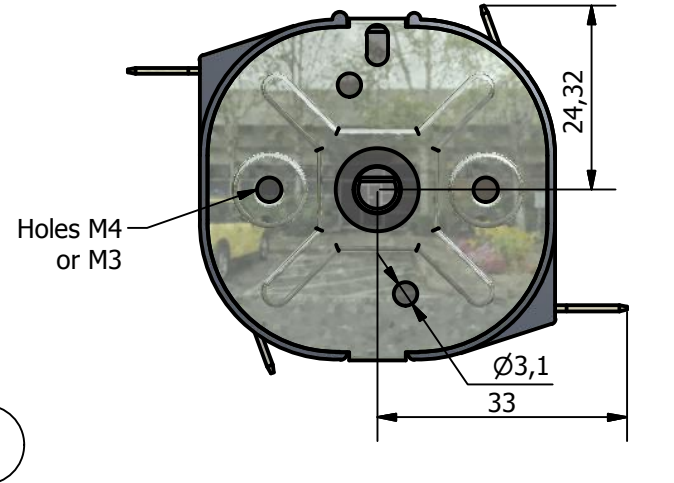
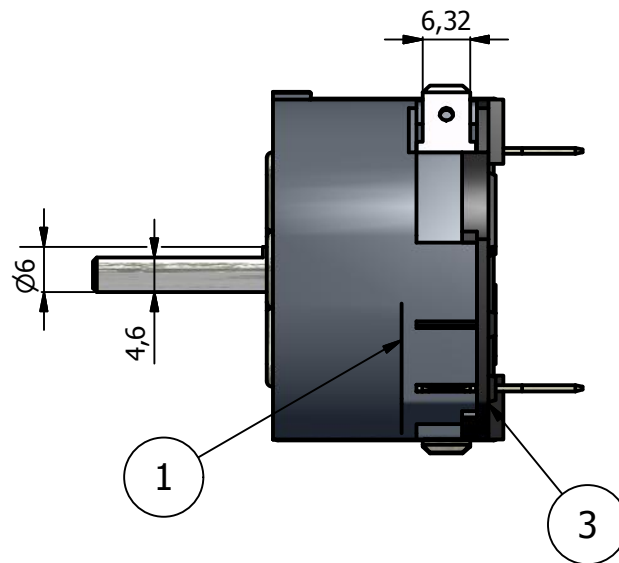
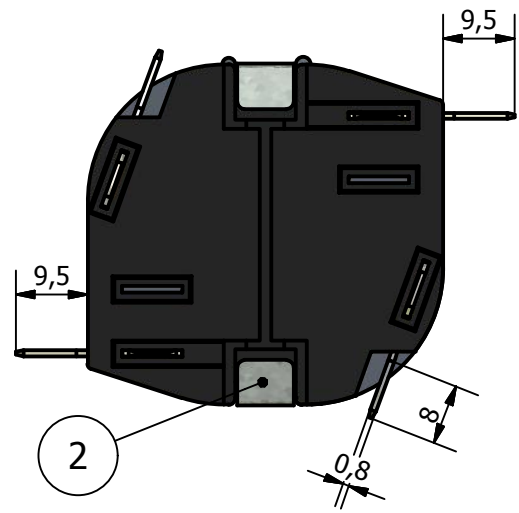
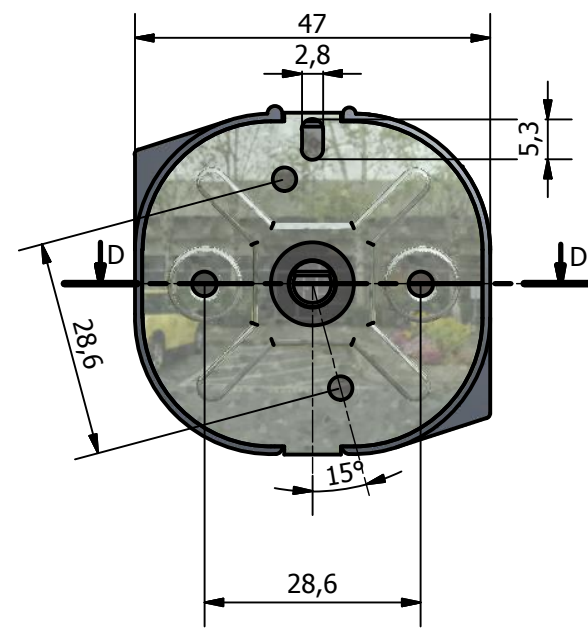
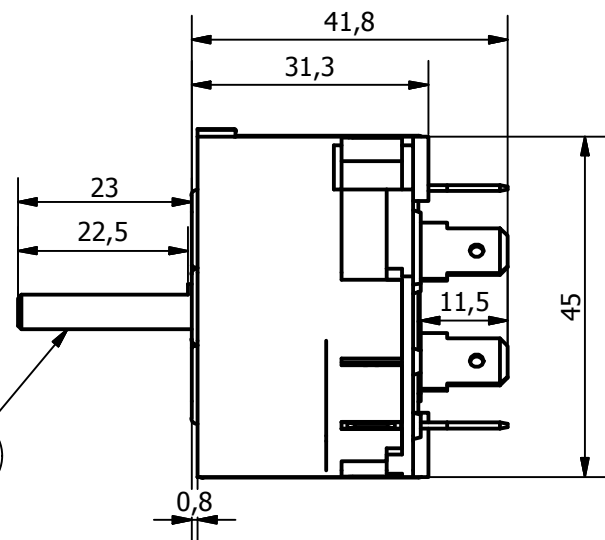
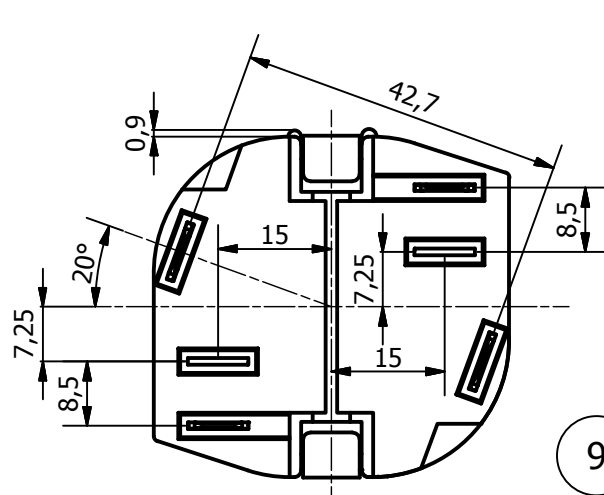


MI2 SWITCH TIMER

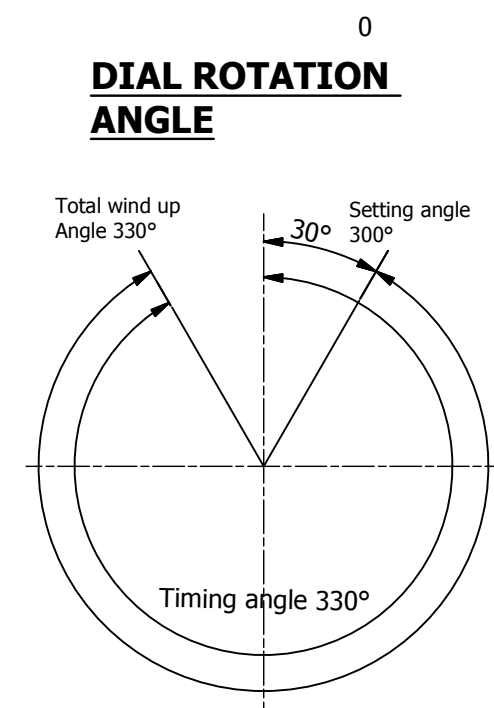
CIRCUIT : ELECTRIC STANDARD CIRCUIT



PARTS			
QTE	N°	DESCRIPTION	MATIERE
1	1	HOUSING	VO MATERIAL
1	2	FRONT PLATE	ZINC PLATED STEEL
1	3	SWITCH COVER	VO MATERIAL
4	5	TERMINAL FASTON 6.35x0.8mm	BRASS UZ36 0.8 silver plated contact Ag-Ni 90/10
4	6	TERMINAL FASTON 6.35X0.8MM	BRASS UZ36 0.8 SILVER PLATED
1	9	Main shaft	Steel or beric



DIAL ROTATION ANGLE



ELECTRICAL SPECIFICATIONS

**SWITCHING CAPACITY 16A(4) 250V
15A(4) 120V**

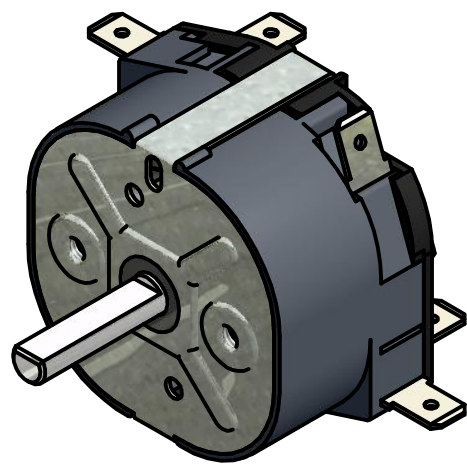
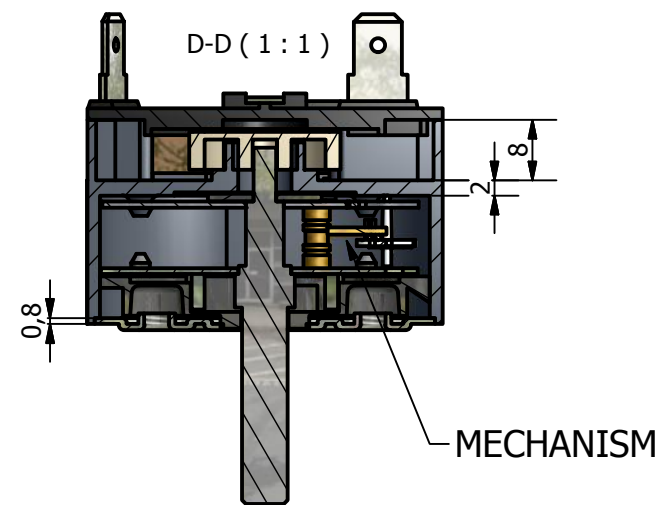
Type of current Vac
switch for appliance class II
Dielectric strength : 2000V 50Hz
Terminals : 6.35 x 0.8mm TAB terminals
Distance between contact : >= 3mm
Approvals : UL CSA VDE IMQ SEMKO

MECHANICAL SPECIFICATIONS

- Winding torque : 1.5 to 4.5 Kg (0.15 to 0.45N.m)
- return Torque to "zero" position 1 to 4.5 Kg (0.1 to 0.45N.m)
- Timing range : vibrator ±10%
balance wheel ±5% till 15min (on 330°)
- Residual operating torque : 0.1 Kg.cm (0.01N.m)
- Torque of manual position 4 Kg.cm (0.4N.m)
- Max use temp. T° :125-C (256 F)

OPTIONAL :

- following request :
- timing period : from 1min15 to 14Hrs (on 330°)
 - several wind up angles available : 90° to 330°
 - Single pole , Double poles SPST-DPST SPDT DPDT
 - different sizes and shapes of the main shaft available
 - Terminals : back or on the side
 - Hold position CCW or end of wind up angle
 - with drop
 - fixation M3 M4 (28.6mm) or central bush M12x0.75
 - maximum screw length : 4mm
 - bell : ding at the end of timing



Nota : dimensions in mm.

X-ON Electronics

Largest Supplier of Electrical and Electronic Components

Click to view similar products for [Timers](#) category:

Click to view products by [Faucigny](#) manufacturer:

Other Similar products are found below :

[79237785](#) [H3DS-GL AC24-230/DC24-48](#) [H5AN-4DM DC12-24](#) [H5CN-XDNM AC100-240](#) [H5CN-YAN AC100-240](#) [H5CX-L8S-N AC100-240](#) [H3AMNSCAC100240](#) [H3AM-NSR-B AC100-240](#) [H3CA-8 DC12](#) [H3CR-A8-302 DC24](#) [H3CR-F AC24-48/DC12-48](#) [H3CR-G8EL AC200-240](#) [H5AN-4D DC12-24](#) [81506944](#) [88225029](#) [H5S-YB4-X](#) [H3CR-A-301 AC100-240/DC100-125](#) [H3CR-AS AC24-48/DC12-48](#) [H3DK-GE AC240-440](#) [H3RN-2 AC24](#) [H3RN-21 AC24](#) [H3CR-H8RL AC/DC24 M](#) [H3CR-H8RL AC100-120 S](#) [H3CR-G8EL-31 AC100-120](#) [H3CR-H8RL AC100-120 M](#) [H3CR-HRL AC100-120 M](#) [H3CR-A8-301 AC24-48/DC12-48](#) [H3CR-H8RL AC/DC24 S](#) [H7AN-2D DC12-24](#) [H5CN-XANS DC12-48](#) [H3CA-8 DC110](#) [H7AN-W4DM DC12-24](#) [H7AN-4DM DC12-24](#) [H7AN-4D DC12-24](#) [H7AN-RT6M AC100-240](#) [H3CA-8H AC200/220/240](#) [MTR17-BA-U240-116](#) [PM4HSDM-S-AC240VS](#) [PM4HSDM-S-AC240VSW](#) [PO-405](#) [600DT-CU](#) [H3Y-2-B DC24 30S](#) [PM4HF8-M-DC24V](#) [PM4HS-H-DC12VSW](#) [H3Y-2-B AC100-120 10S](#) [H3Y-2-B AC100-120 30S](#) [H3C-R](#) [H3CR-A8-301 24-48AC/12-48DC](#) [H3CR-A8E 24-48AC/DC](#) [H3CR-F8 100-240AC/100-125DC](#)