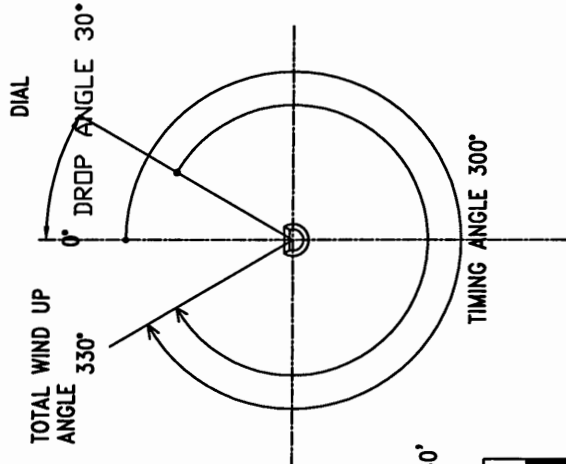
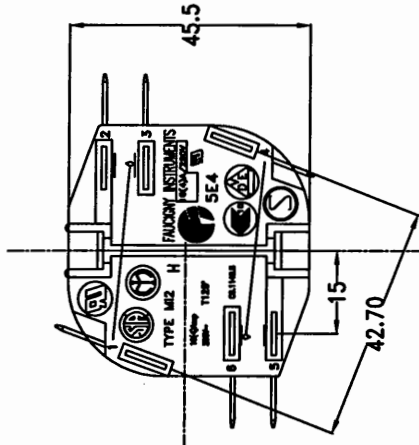
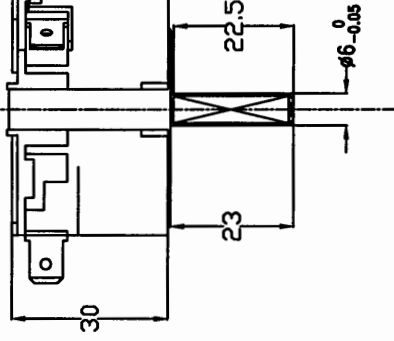


2 HOLES M4

6 TERMINALS Tab 6.35x0.8



CIRCUIT	0	C30	30°	60°	330°
1-2	Black				
1-3				Black	
4-6				Black	
4-5				Black	

60° / 300°

CHARACTERISTICS

ELECTRICAL CHARACTERISTICS

standard switch : CEE 24
 Rated amperage : 16(4) A
 Rated voltage : 250 V
 Type of current : Vac
 Switch configuration: DPDT
 Switch for appliance classe II
 Number of electrical operations : 10 000
 connections terminal : 6.35 x 0.8

MECHANICAL CHARACTERISTICS

Winding torque : 1.5 to 4.5 Kg.cm
 Return torque to zero position: 1 to 4.5 Kg.cm
 timing : 60'
 timing range : ±5%
 Residual operating torque : 0.1 Kg.cm
 Torque of manual position : /

THERMAL CHARACTERISTICS

Maximum temperature of use : 125° C

MARKING ON BACK CASE

Type MI2
 T= 125°C
 Identification of terminals

APPROVALS

UL- SEMKO- ENEC10 VDE- CSA- IMQ
 16A 250V AC RESISTIVE
 4A 250V AC INDUCTIVE

MARKING

Label of the timer : 4 numbers
 week of production : 2 numbers
 Year of production : 2 numbers

CUSTOMER : OEM AUTOMATIC SP	WEIGHT BY 1000	USE: /
CUSTOMER PART NUMBER : MI2R206 60M	COLOR: BLACK	SETS MI2
MI2/60/300/330/14400L/C30/AM000/23/22.5/6.0MT4.6	2092	C
DRAWN BY : MARTINET.C	DATE: 10/11/09	SCALE: 1/1
FAUCIGNY INSTRUMENTS		

X-ON Electronics

Largest Supplier of Electrical and Electronic Components

Click to view similar products for [Timers](#) category:

Click to view products by [Faucigny](#) manufacturer:

Other Similar products are found below :

[79237785 H3DS-GL AC24-230/DC24-48](#) [H5AN-4DM DC12-24](#) [H5CN-XDNM AC100-240](#) [H5CN-YAN AC100-240](#) [H5CX-L8S-N AC100-240](#) [H3AMNSCAC100240](#) [H3AM-NSR-B AC100-240](#) [H3CA-8 DC12](#) [H3CR-A8-302 DC24](#) [H3CR-F AC24-48/DC12-48](#) [H3CR-G8EL AC200-240](#) [H5AN-4D DC12-24](#) [81506944](#) [88225029](#) [H5S-YB4-X](#) [H3CR-A-301 AC100-240/DC100-125](#) [H3CR-AS AC24-48/DC12-48](#) [H3DK-GE AC240-440](#) [H3RN-2 AC24](#) [H3RN-21 AC24](#) [H3CR-H8RL AC/DC24 M](#) [H3CR-H8RL AC100-120 S](#) [H3CR-G8EL-31 AC100-120](#) [H3CR-H8RL AC100-120 M](#) [H3CR-HRL AC100-120 M](#) [H3CR-A8-301 AC24-48/DC12-48](#) [H3CR-H8RL AC/DC24 S](#) [H7AN-2D DC12-24](#) [H5CN-XANS DC12-48](#) [H3CA-8 DC110](#) [H7AN-W4DM DC12-24](#) [H7AN-4DM DC12-24](#) [H7AN-4D DC12-24](#) [H7AN-RT6M AC100-240](#) [H3CA-8H AC200/220/240](#) [MTR17-BA-U240-116](#) [PM4HSDM-S-AC240VS](#) [PM4HSDM-S-AC240VSW](#) [PO-405](#) [600DT-CU](#) [H3Y-2-B DC24 30S](#) [PM4HF8-M-DC24V](#) [PM4HS-H-DC12VSW](#) [H3Y-2-B AC100-120 10S](#) [H3Y-2-B AC100-120 30S](#) [H3C-R](#) [H3CR-A8-301 24-48AC/12-48DC](#) [H3CR-A8E 24-48AC/DC](#) [H3CR-F8 100-240AC/100-125DC](#)