

PLEASE CHECK WWW.MOLEX.COM FOR LATEST PART INFORMATION

Part Number: **0432498916**
Status: **Active**
Overview: Modular Jacks and Plugs
Description: Modular Jack, Right Angle, Low Profile, 8/8, Panel Stops

Documents:

[3D Model](#) [Product Specification PSX-43249 \(PDF\)](#)
[Drawing \(PDF\)](#) [RoHS Certificate of Compliance \(PDF\)](#)

Agency Certification

CSA LR19980
 UL E107635

General

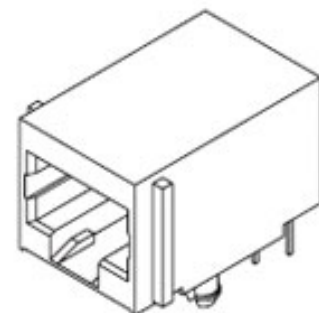
Product Family Modular Jacks/Plugs
 Series [43249](#)
 Component Type PCB Jack
 Magnetic No
 Overview Modular Jacks and Plugs
 Performance Category 3, 4
 Power over Ethernet (PoE) N/A
 Product Name RJ45
 UPC 800756393865

Physical

Boot Color N/A
 Color - Resin Black
 Durability (mating cycles max) 500
 Flammability 94V-0
 Inverted / Top Latch No
 Jack Height 13.00mm
 Lightpipes/LEDs None
 Material - Metal Brass, Phosphor Bronze
 Material - Plating Mating Gold
 Material - Plating Termination Tin
 Material - Resin High Temperature Thermoplastic
 Net Weight 5.276g
 Orientation Right Angle (Side Entry)
 PCB Locator Yes
 PCB Retention Yes
 PCB Thickness - Recommended 1.57mm
 Packaging Type Tray
 Panel Mount With Flange
 Pitch - Mating Interface 1.02mm
 Pitch - Termination Interface 1.27mm
 Plating min - Mating 1.270µm
 Plating min - Termination 2.540µm
 Ports 1
 Positions / Loaded Contacts 8/8
 Surface Mount Compatible (SMC) Yes
 Temperature Range - Operating -40°C to +85°C
 Termination Interface: Style Through Hole
 Waterproof / Dustproof No
 Wire/Cable Type N/A

Electrical

Current - Maximum per Contact 1.5A



Series image - Reference only

EU ELV

Not Relevant

EU RoHS

Compliant

REACH SVHC

No -ED/39/2015 (15 June 2015)

Halogen-Free

Status

Not Low-Halogen

Need more information on product environmental compliance?

Email productcompliance@molex.com
 Please visit the [Contact Us](#) section for any non-product compliance questions.

China ROHS

ELV

Green Image

Not Relevant

Search Parts in this Series

[43249 Series](#)

Mates With

FCC 68 Plugs

Grounding to PCB	Yes
Grounding to Panel	None
Shielded	Yes
Voltage - Maximum	150V AC (RMS)

Solder Process Data

Lead-freeProcess Capability	WAVE
-----------------------------	------

Material Info

Reference - Drawing Numbers

Product Specification	PSX-43249
Sales Drawing	SDA-43249

This document was generated on 11/30/2015

PLEASE CHECK WWW.MOLEX.COM FOR LATEST PART INFORMATION

X-ON Electronics

Largest Supplier of Electrical and Electronic Components

Click to view similar products for [Telecom ICs](#) category:

Click to view products by [Molex](#) manufacturer:

Other Similar products are found below :

[87180-066](#) [B78476A9558A003](#) [4C9965](#) [RH1041W-MFP-GNL](#) [5C3263](#) [7J8004](#) [SCMS7D43AY100PT1](#) [43841-0003-CUT-TAPE](#)
[HX6106NLT](#) [75586-0004-CUT-TAPE](#) [JC0-0201NL](#) [0432498916](#) [0757840156](#) [0424104168](#) [0432028917](#) [93899-001LF](#) [9455511103](#)
[10118067-5136210LF](#) [69253-001](#) [H1062](#) [P129](#) [T7015NLT](#) [T1231NL](#) [432238149](#) [428786360](#) [432498908](#) [441500007](#) [446200003](#)
[432028918](#) [432498925](#) [428788458](#) [443800019](#) [443801016](#) [754500001](#) [757830252](#) [757840212](#) [757865001](#) [950432801](#) [760925002](#) [133148](#)
[ST7010QNL](#) [T-1250SCT](#) [T3023NL](#) [66010-004LF](#) [203156](#) [68899-002LF](#) [73327-111LF](#) [95672-001LF](#) [95678-001ALF](#) [45-5614-BU](#)