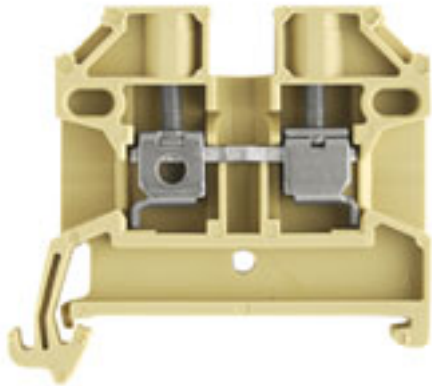


SAK terminal with screw connection
SAK 2.5/35

Weidmüller Interface GmbH & Co. KG
Klingenbergstraße 16
D-32758 Detmold
Germany
Fon: +49 5231 14-0
Fax: +49 5231 14-2083
www.weidmueller.com



The Weidmüller SAK feed-through terminals satisfy the requirements of IEC 60947-1 and are available with rated cross-sections from 0.08 mm² to 240 mm².

General ordering data

Order No.	0380460000
Type	SAK 2.5/35
Version	SAK terminal with screw connection, Feed-through terminal, Rated cross-section: 2.5 mm ² , Screw connection, PA 66, beige, Direct mounting
GTIN (EAN)	4008190042363
Qty.	100 pc(s).

SAK terminal with screw connection SAK 2.5/35

Weidmüller Interface GmbH & Co. KG
Klingenbergstraße 16
D-32758 Detmold
Germany
Fon: +49 5231 14-0
Fax: +49 5231 14-2083
www.weidmueller.com

Technical data

Dimensions

Length	44.5 mm	Width	6.1 mm
Height	40 mm	Height of lowest version	40 mm
Net weight	6.33 g		

Temperatures

Operating temperature		Storage temperature	
Continuous operating temp., min.	-50 °C	Continuous operating temp., max.	100 °C

Rated data IECEx/ATEX

Certificate No. (ATEX)	KEMA97ATEX1798U	ATEX certificate	IECExKEM06.0014U
ATEX certificate	KEMA97ATEX1798U_e.pdf	Certificate No. (IECEX)	IECExKEM06.0014U
IEC Ex certificate	IECExKEM06.0014U_e.pdf	max. voltage	550 V
Current (ATEX)	21 A	Wire cross section max. (ATEX)	2.5 mm ²
max. voltage	550 V	Current (IECEX)	21 A
Wire cross section max. (IECEX)	2.5 mm ²	Voltage, cross-connection	CrossConnectionGuide.pdf
Operating temperature range	For operating temperature range see EC Design Test Certificate / IEC Ex-Certificate of Conformity	Marking EN 60079-7	
Marking ATEX Directive 94/9/EC	II 2 G D		Ex e II

Additional technical data

Explosion-tested version	Yes	Installation advice	Direct mounting
Number of similar terminals	1	Open sides	right
Type of mounting	Snap-on	Version	Double terminal

CSA ratings data

Certificate No. (CSA)	12400-129	Voltage size C (CSA)	600 V
Current size C (CSA)	25 A	Wire cross section max. (CSA)	10 AWG
Wire cross section min. (CSA)	26 AWG		

Clampable wires (additional connection)

Conductor cross-section, flexible plus plastic collar DIN 46228/1, further connection, min.	0.5 mm ²	Conductor cross-section, flexible plus plastic collar DIN 46228/1, further connection, max.	4 mm ²
---	---------------------	---	-------------------

SAK terminal with screw connection SAK 2.5/35

Weidmüller Interface GmbH & Co. KG
Klingenbergstraße 16
D-32758 Detmold
Germany
Fon: +49 5231 14-0
Fax: +49 5231 14-2083
www.weidmueller.com

Technical data

Clampable wires (rated connection)

Type of connection	Screw connection	Stripping length	10 mm
Blade size	0.6 x 3.5 mm	Connection direction	on side
Number of connections	2	Clamping range, rated connection, min.	0.13 mm ²
Clamping range, rated connection, max.	6 mm ²	Clamping screw	M 2.5
Tightening torque, min.	0.4 Nm	Tightening torque, max.	0.6 Nm
Torque level with DMS electric screwdriver	1	Gauge to IEC 60947-1	A3
Wire connection cross section, solid core, max. rated connection	0.5 mm ²	Wire connection cross section, solid core max. rated connection	6 mm ²
Wire connection cross section, stranded, rated connection, min.	0.5 mm ²	Wire connection cross section, stranded, rated connection, max.	4 mm ²
Wire connection cross section, finely stranded, max.	4 mm ²	Wire connection cross-section, finely stranded, min.	0.5 mm ²
Wire connection cross section, finely stranded with wire-end ferrules DIN 46228/1, rated connection, min.	0.5 mm ²	Wire connection cross section, finely stranded with wire-end ferrules DIN 46228/1, rated connection, max.	4 mm ²
Cross-section for connected conductor, finely stranded with wire-end ferrules and plastic collars DIN 46228/4, rated connection, min.	0.5 mm ²	Wire connection cross-section, finely stranded with wire-end ferrules and plastic collars DIN 46228/4, rated connection, max.	4 mm ²
Twin wire-end ferrules, min.	0.5 mm ²	Twin wire-end ferrules, max.	1.5 mm ²
Wire connection cross section AWG, min.	AWG 26		

Rated data

Rated cross-section	2.5 mm ²	Rated voltage	800 V
Rated impulse withstand voltage	8 kV	Rated current	24 A
Current at maximum wires	41 A	Standards	IEC 60947-7-1
Pollution severity	3		

UL ratings data

Certificate No. (UR)	E60693VOL1SEC14	Voltage size C (UR)	600 V
Current size C (UR)	20 A	Conductor size Factory wiring max. (UR)	12 AWG
Conductor size Factory wiring min. (UR)	22 AWG	Conductor size Field wiring max. (UR)	12 AWG

Material data

Insulating material	PA 66	Material	PA 66
Colour	Beige	Flammability class UL 94	V-2

System specifications

Product family	SAK terminal with screw connection	Type of connection	Screw connection
Connection direction	on side	Number of levels	1
Number of connections	2	No. of clamping points per level	2
Levels cross-connected internally	No	End cover plate required	Yes

Classifications

ETIM 2.0	EC000897	ETIM 3.0	EC000897
UNSPSC	30-21-18-11	eClass 4.1	27-14-11-20
eClass 5.1	27-14-11-20	eClass 6.0	27-14-11-20
eClass 7.0	27-14-11-20		

Creation date May 30, 2012 9:34:16 AM CEST

**SAK terminal with screw connection
SAK 2.5/35**

Weidmüller Interface GmbH & Co. KG
Klingenbergstraße 16
D-32758 Detmold
Germany
Fon: +49 5231 14-0
Fax: +49 5231 14-2083
www.weidmueller.com

Technical data**Product information**

Descriptive text technical data With twin ferrules ZH 0.5 to ZH 1.5, rated voltage is 690 V.

Downloads

DXF [22364_SAK_2.5-35_DXF.dxf](#)
STEP [0380460000_22364_SAK_2.5-35_STP.stp](#)
[3-D model](#)

**SAK terminal with screw connection
SAK 2.5/35**

Weidmüller Interface GmbH & Co. KG
Klingenbergstraße 16
D-32758 Detmold
Germany
Fon: +49 5231 14-0
Fax: +49 5231 14-2083
www.weidmueller.com

Accessories

Test plugs

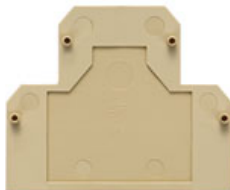


The solution with Weidmüller test plugs and sockets guarantees a proper test of the installation.

General ordering data

Order No.	Type	Version	GTIN (EAN)	Qty.
0180400000	PS 2.3 RT	General accessories, Test plug	4008190060121	20 pc(s).

AP end cover plates



Apart from a few exceptions, the last terminal in a terminal strip must be closed off with an AP end plate. End plates must also be used within a terminal strip when it makes use of terminals of different sizes . The overall dimensions of the end plates match the external dimensions of the associated terminal. The end plate is held in place by the end bracket.

General ordering data

Order No.	Type	Version	GTIN (EAN)	Qty.
0279560000	AP SAK2.5	SAK Series, End plate, 1.5 mm, Beige, Direct mounting	4008190075736	20 pc(s).
0302860000	TW SAK2.5	SAK Series, Partition plate, Beige, 1.5 mm	4008190032968	20 pc(s).

**SAK terminal with screw connection
SAK 2.5/35**

Weidmüller Interface GmbH & Co. KG
Klingenbergstraße 16
D-32758 Detmold
Germany
Fon: +49 5231 14-0
Fax: +49 5231 14-2083
www.weidmueller.com

Accessories

AD 3 (3-pole)



Electrical systems should always be operated in a safe condition. Weidmüller therefore has a large range of covers and marking materials.

General ordering data

Order No.	Type	Version	GTIN (EAN)	Qty.
0297900000	AD 3 SAK2.5	SAK Series, cover plate, Yellow, 18 mm	4008190038229	50 pc(s).

Plastic screws



Electrical systems should always be operated in a safe condition. Weidmüller therefore has a large range of covers and marking materials.

General ordering data

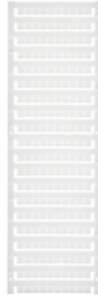
Order No.	Type	Version	GTIN (EAN)	Qty.
0128900000	BFSC M3X22 PA/RT	General accessories, Fixing screw, for cross-connection link, 22 mm	4008190084158	100 pc(s).

**SAK terminal with screw connection
SAK 2.5/35**

Weidmüller Interface GmbH & Co. KG
Klingenbergstraße 16
D-32758 Detmold
Germany
Fon: +49 5231 14-0
Fax: +49 5231 14-2083
www.weidmueller.com

Accessories

Custom printing



The **dekafix (DEK)** marker is the universal marker for all conductor and plug-in connectors as well as for electronics modules. The system is ideal for small groups of consecutive numbers and covers a large range of ready-printed markers. Being mounted as strips means that they are quickly clipped on in one operation. The printing is legible with good contrast, and is available in five widths.

- Large selection of ready-to-use markers
- In strips for fast installation
- Connector markers are suitable for all Weidmüller conductor connectors
- Available as blank cards, MultiCard or as cards with standard printing

General ordering data

Order No.	Type	Version	GTIN (EAN)	Qty.
1609830000	DEK 5/6 MC BEDRUCKT	Terminal markers, MultiCard, 5 x 6 mm, Polyamide 66, Colour: To customer specification	4008190456603	200 pc(s).

Q ... SAK



This type of cross-connection has a pre-assembled captive cross-connection lug, cross-connection sleeve and fixing screw. All the individual parts are available separately on request. During installation, the pre-assembled cross-connectors are simply placed in the cross-connection slot in the middle of the terminal and screwed tight.

General ordering data

Order No.	Type	Version	GTIN (EAN)	Qty.
0337100000	Q 3 SAK2.5	SAK Series, Cross-connector, for cross-connection link, No. of poles: 3	4008190015411	50 pc(s).
0337000000	Q 2 SAK2.5	SAK Series, Cross-connector, for cross-connection link, No. of poles: 2	4008190005801	50 pc(s).
0337200000	Q 4 SAK2.5	SAK Series, Cross-connector, for cross-connection link, No. of poles: 4	4008190142902	50 pc(s).

**SAK terminal with screw connection
SAK 2.5/35**

Weidmüller Interface GmbH & Co. KG
Klingenbergstraße 16
D-32758 Detmold
Germany
Fon: +49 5231 14-0
Fax: +49 5231 14-2083
www.weidmueller.com

Accessories

TSCH



In order to maintain the rated voltage it is necessary to use the partition walls TW or the partition discs TSch in the products WDL, SAKT und WTL.

General ordering data

Order No.	Type	Version	GTIN (EAN)	Qty.
0319160000	TSCH 1	General accessories, Small partition, Beige, 2 mm	4008190097219	100 pc(s).

StB 5.5 ... 17



The SAKR disconnect terminals are available already fitted with sockets (see disconnect terminals). The sockets are equipped with a slit so that they can be actuated with a screwdriver. Weidmüller can supply special screwdrivers with a shoulder for this purpose.

General ordering data

Order No.	Type	Version	GTIN (EAN)	Qty.
0280600000	STB 8.5/5/2.3/M3 SAK2.5	General accessories, Socket	4008190023188	50 pc(s).

**SAK terminal with screw connection
SAK 2.5/35**

Weidmüller Interface GmbH & Co. KG
Klingenbergstraße 16
D-32758 Detmold
Germany
Fon: +49 5231 14-0
Fax: +49 5231 14-2083
www.weidmueller.com

Accessories

Blank



The **dekafix (DEK)** marker is the universal marker for all conductor and plug-in connectors as well as for electronics modules. The system is ideal for small groups of consecutive numbers and covers a large range of ready-printed markers.

Being mounted as strips means that they are quickly clipped on in one operation. The printing is legible with good contrast, and is available in five widths.

- Large selection of ready-to-use markers
- In strips for fast installation
- Connector markers are suitable for all Weidmüller conductor connectors
- Available as blank cards, MultiCard or as cards with standard printing

General ordering data

Order No.	Type	Version	GTIN (EAN)	Qty.
1609820000	DEK 5/6 MC NEUTRAL	Terminal markers, MultiCard, 5 x 6 mm, Polyamide, Colour: White	4008190203436	1,000 pc(s).

X-ON Electronics

Largest Supplier of Electrical and Electronic Components

Click to view similar products for [DIN Rail Terminal Blocks](#) category:

Click to view products by [Weidmuller](#) manufacturer:

Other Similar products are found below :

[1045932](#) [00110420202](#) [00110430402](#) [5724.2/L](#) [592808-3](#) [CTS25U/BL](#) [CTS2.5U-N/Y](#) [91.010](#) [91.040](#) [DP25-GY-ND](#) [15288](#) [90.070](#) [90.905](#)
[91.001](#) [91.020](#) [91.201](#) [91.340](#) [2713793](#) [2757571](#) [280-331](#) [283-317](#) [283-607](#) [2909044](#) [2909798](#) [29-2052](#) [SRT2-OD08CL-1](#)
[CDL4U\(E\)MOV](#) [2757801](#) [2794660](#) [284-317](#) [2890975](#) [2907033](#) [3048496](#) [CTS2.5U-N/O](#) [5542152](#) [5602077](#) [0709880](#) [5520682](#) [5605444](#)
[5607102](#) [EPUSC](#) [SRT2-OD16P](#) [2901288](#) [591620-2](#) [1-591651-1](#) [NRA37-1/2](#) [592814-1](#) [592814-3](#) [SRT2-ID16P](#) [NRA37-12](#)