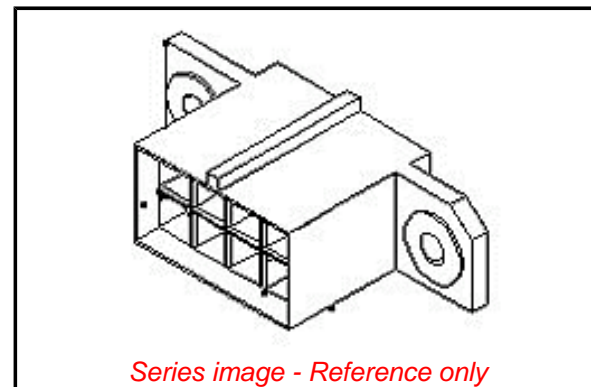


**PLEASE CHECK WWW.MOLEX.COM FOR LATEST PART INFORMATION**

**Part Number:** [0520250811](#)  
**Status:** **Active**  
**Description:** 5.00mm Pitch Wire-to-Wire Plug Housing, Floating-Fit Drawer Type, 8 Circuits

**Documents:**

<a href="#">3D Model</a>	<a href="#">Product Specification PS-51010-005 (PDF)</a>
<a href="#">Drawing (PDF)</a>	<a href="#">Product Specification PS-51010-006 (PDF)</a>
<a href="#">Product Specification PS-51010-001 (PDF)</a>	<a href="#">Product Specification PS-51010-007 (PDF)</a>
<a href="#">Product Specification PS-51010-002 (PDF)</a>	<a href="#">Packaging Specification SPK-52025-001 (PDF)</a>
<a href="#">Product Specification PS-51010-003 (PDF)</a>	<a href="#">RoHS Certificate of Compliance (PDF)</a>
<a href="#">Product Specification PS-51010-004 (PDF)</a>	



**Agency Certification**

CSA	LR19980
UL	E29179

**General**

Product Family	Crimp Housings
Series	<a href="#">52025</a>
Application	Power, Wire-to-Wire
Product Name	N/A
UPC	800753337671

**Physical**

Circuits (maximum)	8
Flammability	94V-0
Gender	Male
Glow-Wire Compliant	No
Lock to Mating Part	Yes
Net Weight	6270.000/mg
Number of Rows	2
Packaging Type	Bag
Panel Mount	Yes
Pitch - Mating Interface	5.00mm
Stackable	No
Temperature Range - Operating	-40°C to +105°C

**Material Info**

**Reference - Drawing Numbers**

Packaging Specification	SPK-52025-001
Product Specification	PS-51010-001, PS-51010-002, PS-51010-003, PS-51010-004, PS-51010-005, PS-51010-006, PS-51010-007
Sales Drawing	SD-52025-001

**EU ELV**

**Not Relevant**

**EU RoHS**

**Compliant with  
Exemption 6(c)**

**REACH SVHC**

No -ED/39/2015 (15  
June 2015)

**Halogen-Free**

**Status**

**Not Low-Halogen**

**Need more information on product  
environmental compliance?**

Email [productcompliance@molex.com](mailto:productcompliance@molex.com)  
Please visit the [Contact Us](#) section for any  
non-product compliance questions.

China ROHS

50 Image

ELV

Not Relevant

**Search Parts in this Series**

[52025](#) Series

**Mates With**

[51010](#) Receptacle Housing

**Use With**

[5558](#)

## X-ON Electronics

Largest Supplier of Electrical and Electronic Components

*Click to view similar products for [Headers & Wire Housings](#) category:*

*Click to view products by [Molex](#) manufacturer:*

Other Similar products are found below :

[95000-104TRLF](#) [10135584-644402LF](#) [DF62W-EP2022PCA](#) [95000-106TRLF](#) [DF62W-2022SCA](#) [DF62W-EP2022PC](#) [2203348](#) [DF62W-2022SC](#) [1084018](#) [1029039](#) [1084017](#) [802-10-012-10-002000](#) [1112640](#) [1112639](#) [891-007-9SS-BST1T](#) [000-34000](#) [0008550134](#) [0009482033](#) [0009507031](#) [57102-F02-18ULF](#) [57102-S06-03LF](#) [57202-S52-04LF](#) [PCN6-15S-2.5E](#) [0039019024](#) [58102-G61-06LF](#) [582553-1](#) [0009485154](#) [0009508121](#) [0022285053](#) [0050291907](#) [018731A](#) [LY20-4P-DT1-P1E-BR](#) [02.125.8002.8](#) [60101931](#) [60598-1 \(Cut Strip\)](#) [M1625-3R/100](#) [61062-3](#) [61082-181009](#) [CSU011177004](#) [636-1427](#) [638009-1](#) [641938-9](#) [641991-4](#) [644168-1](#) [644827-2](#) [647662-1](#) [65039-019ELF](#) [65692-001LF](#) [65781-018](#) [65781-047](#)