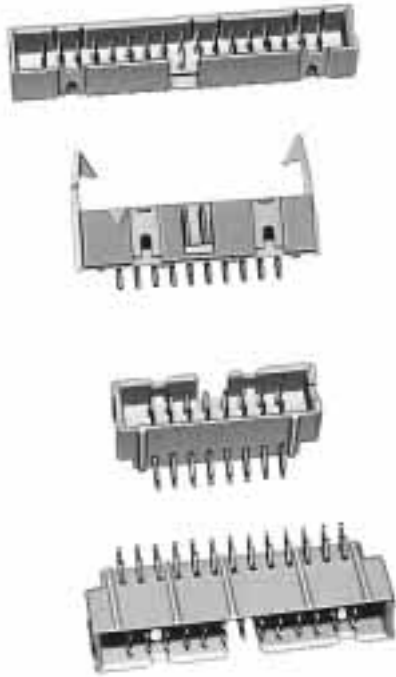
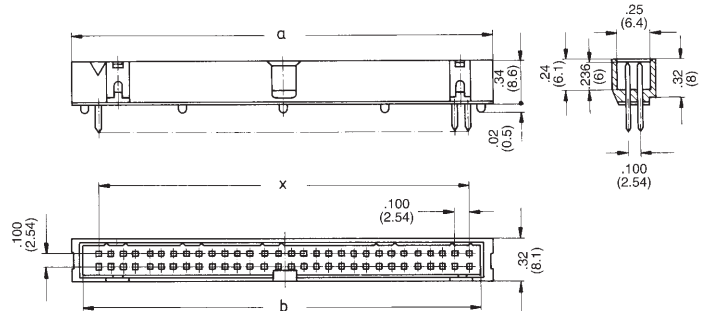


**Series 057
Low Profile
Headers**

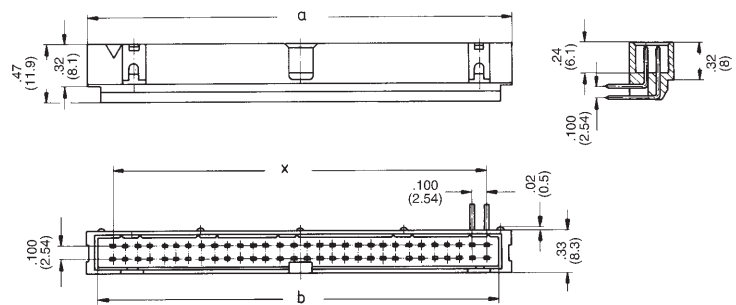
6 to 64 contact



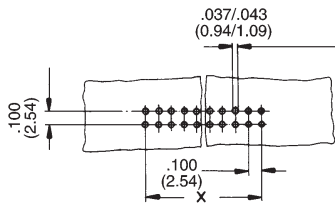
Straight



Angled



Printed Circuit Layout



No. of contacts - Dimensions

	6	10	14	16	20	26	34	40	50	60	64
a	.61" (15.4)	.81" (20.6)	1.01" (25.7)	1.11" (28.2)	1.31" (33.3)	1.61" (40.9)	2.01" (51.1)	2.31" (58.7)	2.81" (71.4)	3.31" (84.1)	3.51" (89.2)
b	.51" (12.9)	.71" (18.0)	.91" (23.1)	1.01" (25.7)	1.21" (30.7)	1.51" (38.3)	1.91" (48.5)	2.21" (56.1)	2.71" (68.8)	3.21" (81.5)	3.41" (86.6)
x(c)	.200" (5.08)	.400" (10.16)	.600" (15.24)	.700" (17.78)	.900" (22.86)	1.200" (30.48)	1.600" (40.64)	1.900" (48.26)	2.400" (60.96)	2.900" (73.66)	3.100" (78.74)

Part numbers

No. of contacts 6, 10, 14, 16, 20, 26, 34, 40, 50, 60, 64, 80

□□ = Number of Circuits

Termination Methods	Tail Length	Plating Options	Style	
			Straight	Angled
Wave Solder	.177" (4.5mm)	30μ" Au/Ni	057-0 □□ - 132	057-0 □□ - 032
		15μ" Au/Ni	057-0 □□ - 152	057-0 □□ - 052
	.114" (2.9mm)	30μ" Au/Ni	057-0 □□ - 133	057-0 □□ - 033
		15μ" Au/Ni	057-0 □□ - 153	057-0 □□ - 053

Contact factory for press-fit availability

X-ON Electronics

Largest Supplier of Electrical and Electronic Components

Click to view similar products for [Headers & Wire Housings](#) category:

Click to view products by [ITW Switches](#) manufacturer:

Other Similar products are found below :

[95000-104TRLF](#) [10135584-644402LF](#) [DF62W-EP2022PCA](#) [95000-106TRLF](#) [DF62W-2022SCA](#) [DF62W-EP2022PC](#) [2203348](#) [DF62W-2022SC](#) [1084018](#) [1029039](#) [1084017](#) [802-10-012-10-002000](#) [1112640](#) [1112639](#) [891-007-9SS-BST1T](#) [000-34000](#) [0008550134](#) [0009482033](#) [0009507031](#) [57102-F02-18ULF](#) [57102-S06-03LF](#) [57202-S52-04LF](#) [PCN6-15S-2.5E](#) [0039019024](#) [58102-G61-06LF](#) [582553-1](#) [0009485154](#) [0009508121](#) [0022285053](#) [0050291907](#) [018731A](#) [LY20-4P-DT1-P1E-BR](#) [02.125.8002.8](#) [60101931](#) [60598-1 \(Cut Strip\)](#) [M1625-3R/100](#) [61062-3](#) [61082-181009](#) [CSU011177004](#) [636-1427](#) [638009-1](#) [641938-9](#) [641991-4](#) [644168-1](#) [644827-2](#) [647662-1](#) [65039-019ELF](#) [65692-001LF](#) [65781-018](#) [65781-047](#)