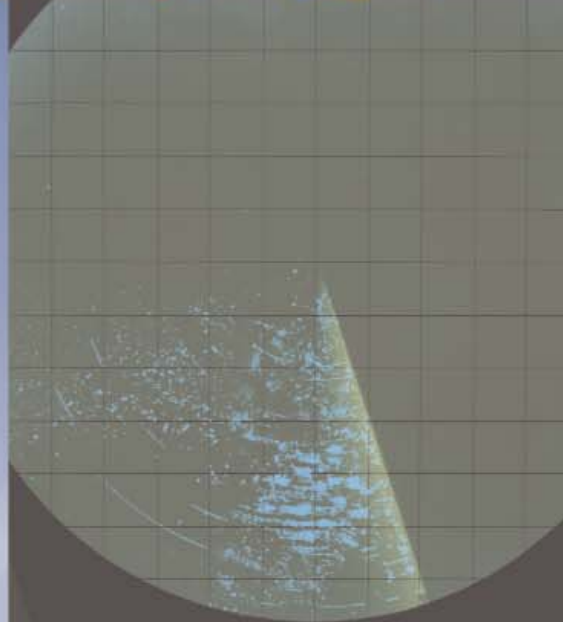
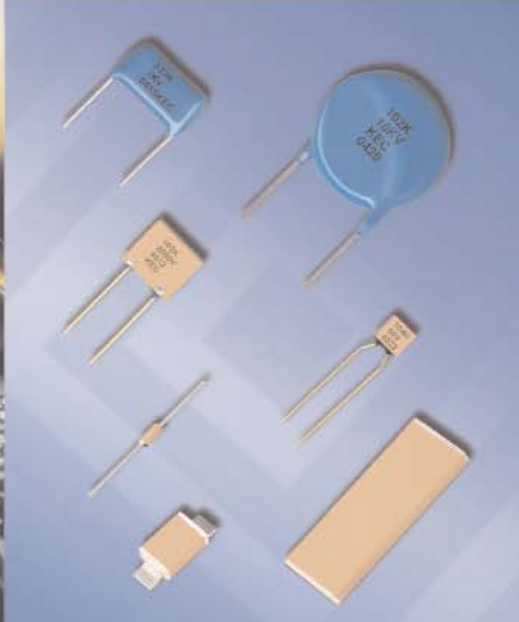
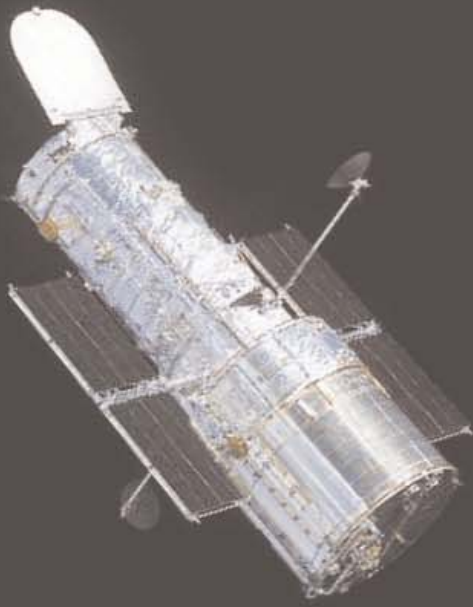


©2008 KEMET Electronics



# High Temperature High Voltage Ceramic Capacitors

[www.kemet.com](http://www.kemet.com)

F-3106F 2/08

The Capacitance Company  
**KEMET**  
CHARGED.™

General Performance Characteristics .....3-6

**HIGH TEMPERATURE CERAMIC CAPACITORS**

HT/HP - Standard Series - (+200°C) Ceramic Capacitors C0G (NP0), X7R Dielectric .....7-9

HV-High Voltage Series - (+200°C) Ceramic Capacitors C0G (NP0), X7R Dielectric .....10-12

Ceramic Cased Capacitors C3 General Information .....13

SCR/SCA Standard Axial & Radial Ceramic Capacitors - C0G (NP0) Dielectric .....14-16

SRR/SRA Standard Axial & Radial Ceramic Capacitors - X7R Dielectric .....14-16

ACR/ACA High Temperature (+200°C) Axial & Radial Ceramic Capacitors - C0G (NP0) Dielectric .....17-19

ARR/ARA High Temperature (+200°C) Axial & Radial Ceramic Capacitors - X7R Dielectric .....17-19

TCR/TCA High Temperature (+260°C) Axial & Radial Ceramic Capacitors - C0G (NP0) Dielectric .....20-22

TRR/TRA High Temperature (+260°C) Axial & Radial Ceramic Capacitors - X7R Dielectric .....20-22

VCR - C3 High Temperature/High Voltage (+260°C) Axial & Radial Ceramic Capacitors - C0G (NP0) Dielectric . . .23-25

VRR - C3 High Temperature/High Voltage (+260°C) Axial & Radial Ceramic Capacitors - X7R Dielectric .....23-25

**HIGH VOLTAGE CERAMIC CAPACITORS**

HV Series, High Voltage, Radial Conformally Coated, C0G (NP0), X7R Dielectric .....26-30

HV Series, High Voltage, Radial Conformally Coated, C0G (NP0) & X7R Dielectric (MIL-PRF-49467 Equivalent) . . .31-33

HS Series, High Voltage, Radial Conformally Coated, Space Quality, C0G (NP0) & X7R Dielectric .....34-38

High Voltage, Ceramic Chip Military Equivalent Tested - C0G (NP0), X7R Dielectric .....39-43

SM Series, High Voltage Surface Mount Ceramic Chip - C0G (NP0), X7R Dielectric .....44-48

D Series, High Voltage Surface Mount Ceramic Disc - C0G (NP0), X7R, X5U Dielectric .....49-50

# High Temperature, High Voltage Performance Characteristics

## GENERAL SPECIFICATIONS

### Working Voltage:

C0G	50, 100, 200, 500, 1k, 2k, 3k, 4k, 5k, 7.5k, 10k, 15k, 20k
X7R	50, 100, 200, 500, 1k, 2k, 3k, 4k, 5k, 7.5k, 10k, 15k, 20k, 30k, 40k, 50k
X5U	3k, 4k, 5k, 7.5k, 10k, 15k, 20k

### Temperature Characteristics:

C0G	0 + 30 PPM / °C from -55°C to +125°C (1)
X7R	+15% from -55°C to +125°C
X5U	+22%, -56% from -55°C to +85°C

### Capacitance Tolerance:

C0G	+0.5pF, +1%, +2%, +5%, +10%
X7R	±5%, ±10%, ±20%, +80% / -20%, +100% / -0%
X5U	±5%, ±10%, ±20%, +80% / -20%, +100% / -0%

### Construction:

Epoxy encapsulated - meets flame test requirements of UL Standard 94V-0.  
High-temperature solder - meets EIA RS-198, Method 302, Condition B (260°C for 10 seconds)

### Termination Material:

Check individual Series: Part Number and Ordering Information for Termination Materials offered in each series.

### Solderability:

MIL-STD 202, Method 208  
(Test Method: ANSI/J-STD-002)  
Test A for through-hole mount and surface mount leaded.  
Test B for surface mount leadless components.

### Terminal Strength:

MIL-STD 202, Method 208, Condition A (2.3kg or 5 lbs)

### Resistance to Solvents:

MIL-STD 202, Method 215

### Resistance to Soldering Heat:

MIL-STD 202, Method 210, Test Condition C

## ELECTRICAL

### Capacitance @ 25°C:

Within specified tolerance and following test conditions per MIL-STD 202, Method 305.  
C0G, X7R & X5U  
> 100pF with 1.0 vrms @ 1 kHz with 1.0 vrms  
< 100pF with 1.0 vrms @ 1 MHz with 1.0 vrms

### Dissipation Factor @ 25°C:

Same test conditions as capacitance.  
C0G - 0.15% maximum  
X7R - 2.5% maximum  
X5U - 2.5% maximum

### Insulation Resistance @25°C:

MIL-STD 202, Method 302  
C0G & X7R:  
100 gigohm or 1 gigohm x uF, whichever is less.  
<500V test @ rated voltage, >1kV test @ 500V.  
X5U:  
10 gigohm or 100 megohm x uF, whichever is less.  
<500V test @ rated voltage, >1kV test @ 500V.

### Dielectric Withstanding Voltage:

MIL-STD 202, Method 301  
<200V test @ 250% of rated voltage  
500V to 1250V test @ 150% of rated voltage  
>1251V test @ 120% of rated voltage

## ENVIRONMENTAL

### Vibration:

MIL-STD 202, Method 204, Condition D (20g)

### Shock:

MIL-STD 202, Method 213, Condition I (100g)

### Life Test:

MIL-STD 202, Method 108

### <200V

C0G - 200% rated voltage @ +125°C  
X7R - 200% rated voltage @ +125°C

### >500V

C0G - rated voltage @ +125°C  
X7R - rated voltage @ +125°C  
X5U - rated voltage @ +85°C

### Post Test Limits @ 25°C are:

#### Capacitance Change:

C0G (< 200V) - +3% or 0.25pF, whichever is greater.  
C0G (> 500V) - +3% or 0.50pF, whichever is greater.  
X7R - +20% of initial value (2)

#### Dissipation Factor:

C0G - 0.25% maximum  
X7R & X5U - 3.0% maximum

#### Insulation Resistance:

C0G & X7R:  
100 gigohm or 1 gigohm x uF, whichever is less.  
<500V test @ rated voltage, >1kV test @ 500V.

#### X5U:

10 gigohm or 100 megohm x uF, whichever is less.  
<500V test @ rated voltage, >1kV test @ 500V.

### Moisture Resistance:

MIL-STD 202, Method 106

Post Test Limits @ 25°C are:

#### Capacitance Change:

C0G (< 200V) - +3% or 0.25pF, whichever is greater.  
C0G (> 500V) - +3% or 0.50pF, whichever is greater.  
X7R - +20% of initial value (2)

#### Dissipation Factor:

C0G - 0.25% maximum  
X7R & X5U - 3.0% maximum

#### Insulation Resistance:

C0G & X7R:  
100 gigohm or 1 gigohm x uF, whichever is less.  
<500V test @ rated voltage, >1kV test @ 500V.

#### X5U:

10 gigohm or 100 megohm x uF, whichever is less.  
<500V test @ rated voltage, >1kV test @ 500V.

### Thermal Shock:

MIL-STD 202, Method 107, Condition A

C0G & X7R: -55°C to 125°C

X5U: -55°C to 85°C

- (1) +53 PPM -30 PPM/ °C from +25°C to -55°C, +60 PPM below 10pF.
- (2) X7R & X5U dielectrics exhibit aging characteristics; therefore, it is highly recommended that capacitors be deaged for 2 hours at 150°C and stabilized at room temperature for 48 hours before capacitance measurements are made.

	HIGH TEMPERATURE	HIGH VOLTAGE
<b>MILITARY &amp; AEROSPACE</b>		
Avionics	X	X
Radar Systems	X	X
Telemetry, Data Tx/Rx		X
Control Systems	X	
<b>MEDICAL</b>		
.5 to 1.5 Tesla MR1 &		X
NM1 Tuning Coils		X
1 to 3 Tesla MR1 Gradient		X
Coils & Magnetic Rings		X
CT-Scanner		X
Medical MRI		X
X-Ray Generator	X	X
<b>SEMICONDUCTOR</b>		
RF Tuning Networks		X
RF Power Supplies		X
Semiconductor Manufacturing	X	
<b>SECURITY</b>		
Handheld Scanners		X
Intruder Detection Systems		X
Luggage Scanners		X
Metal/Explosive Detector		X
<b>OTHER</b>		
LCD Backlight Inverter		X
Electric Ballast for CFL	X	X
Electric Ballast for Fluorescent Lamp	X	X
Measurement Equipment	X	X
Microwave/Convection Ovens	X	X
<b>POWER SUPPLY</b>		
HV Power Supply	X	X
Power Station Equipment		X
Power Supply for Air Conditioner, Washing Machine		X
Inverter Power Supply-AC	X	
<b>TELECOM</b>		
Base Station Power amps		X
Broadcasting Equipment		X
<b>MODEM</b>		
DAA Modem		X
xDSL Modem		X
LAN, Router, HUB, Switches		X
RF Power Amplifiers		X
<b>INDUSTRIAL</b>		
Oil Rigging, Down Hole, Mining	X	X

# KEMET High Voltage Technical Summary

	ELECTRICAL			ENVIRONMENTAL	MECHANICAL
	Voltage Range	Capacitance Range	Dissipation Factor	Operating Temperature Range	Configuration

## HIGH VOLTAGE

Radial Conformally Coated					
Std	C0G/X7R: 500 to 10k VDC	C0G:12 pF - .330µF X7R: 220 pF - 5.6 µF	C0G: 0.15% max X7R: 2.5% max	C0G: -55°C to + 125°C X7R: -55°C to + 125°C	Radial
Mil-PRF-49467 Equivalent	C0G/X7R: 600 to 5k VDC	C0G: 12 pF - .68 µF X7R: 27 pF - .47 µF	C0G: 0.15% max X7R: 2.5% max	C0G/X7R: -55°C to + 125°C	Radial
Space Quality	C0G/X7R: 500 to 10k VDC	C0G/X7R: 560 pF - 2.20µF	C0G: 0.15% max X7R: 2.5% max	C0G/X7R: -55°C to + 125°C	Radial
Ceramic Surface Mount Chip					
Military	C0G/X7R: 500 to 5k VDC	C0G: 12 pF - .10 µF X7R: 270 pF -2.50 µF	C0G: 0.15% max X7R: 2.5% max	C0G/X7R: -55°C to + 125°C	Chip
Leaded Chips J or L lead	C0G/X7R: 500 to 10k VDC	C0G: 12 pF-.330 µF X7R: 220 pF-5.6 µF	C0G: 0.15% max X7R: 2.5% max	C0G/X7R: -55°C to + 125°C	Leaded Chip J or L Lead
Disc	C0G/X5U: 3k to 20k VDC, X7R:3k to 50k VDC	C0G: 1.2 pF-236 pF X7R: 10 p -7400 pF X5U: 80 pF-17300 pF	C0G: 0.15% max X7R: 2.5% max X5U: 2.5% max	C0G/X7R: -55°C to + 125°C X5U: -55°C to + 85°C	Disc
Disc Stack	C0G/X7R/X5U: 5k to 20k VDC	C0G: 1.2 pF-141 pF X7R: 37 pF-4400 pF X5U: 80 pF-10400 pF	C0G: 0.15% max X7R: 2.5% max X5U: 2.5% max	C0G/X7R: -55°C to + 125°C X5U: -55°C to + 85°C	Disc Stack

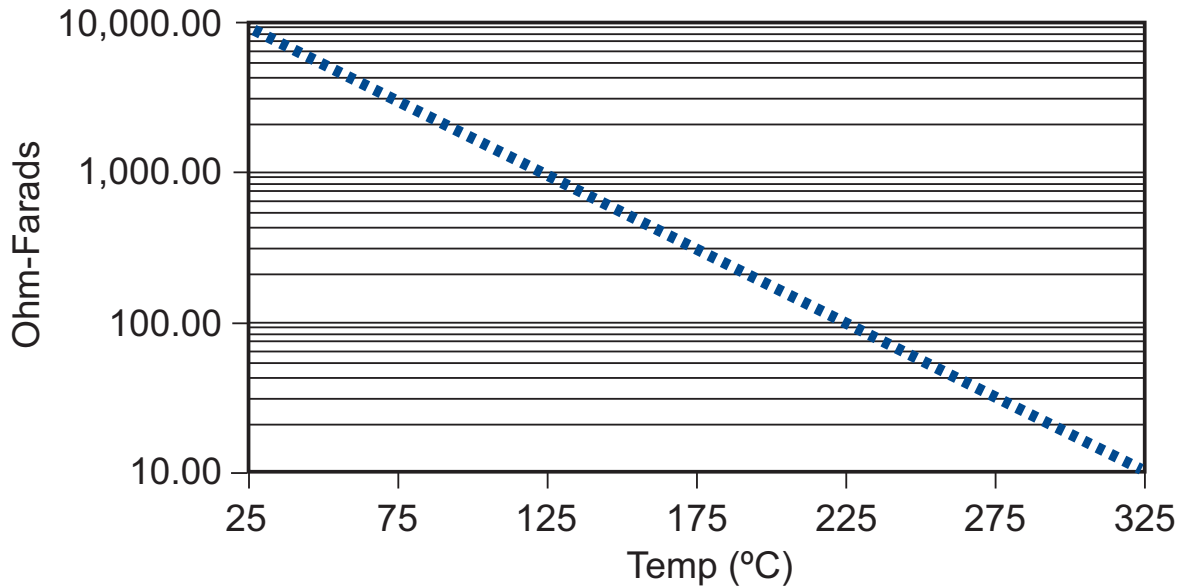
## HIGH TEMPERATURE

Hi Temp (HT/HP)	100 to 200 VDC	-C0G: 22 pF-.100 µF X7R:1000 pF-1.0µF	C0G 0.15% X7R Type 2.0% X7R 2.50%	-55°C to + 200°C	Axial/Radial
Hi Temp Hi Volt (HV)	500 to 4000 VDC	C0G: 390 pF-.015 µF X7R:1400 pF- .270 µF	C0G 0.15% X7R Type 2.0% X7R 2.50%	-55°C to + 200°C	Radial
Ceramic Cased Capacitor					
Std 125°C (SCR/SRR/SCA/SRA)	50 to 200 VDC	C0G: 1.0 pF- .12 µF X7R:100 pF- 6.8 µF	C0G 0.15% X7R 2.50%	-55°C to + 125°C	Axial/Radial
200°C (ACR/ARR/ACA/ARA)	50 to 100 VDC	C0G: 1.0 pF- .12 µF X7R:100 pF- 3.3 µF	C0G 0.15% X7R 2.50%	-55°C to + 200°C	Axial/Radial
260°C (TCR/TRR/TCA/TRA)	50 to 100 VDC	C0G: 1.0 pF- .12 µF X7R:100 pF- 3.3 µF	C0G 0.15% X7R 2.50%	-55°C to + 260°C	Axial/Radial
Hi Temp Hi Volt (VCR/VRR)	500 to 5000 VDC	C0G: 10 pF-.056 µF X7R:330 pF-1.2µF	C0G 0.15% X7R 2.50%	-55°C to + 200°C	Radial

**DIELECTRIC COMPARISONS**

Features	Ultra Stable	Semi-Stable High Voltage	Semi-Stable Hi-Temp	Temp/Volt Dependent
Dielectric Type	C0G (NP0)	X7R	X7R type	X5U
Temperature Coefficient	0 ±30ppm/°C	±15%	+15/-40%	+22-56%
Operating Temp. Range	-55 to +200°C	-55 to +125°C	-55 to +200°C	-55 to +125°C
Dissipation Factor	0.1% max.	2.5% max.	2.0% max.	2.5% max.
Aging Rate	None	-2.0% max/dec. hour	-2.0% max/dec. hour	-2.0% max/dec. hour
Voltage Range	25 to 20k VDC	50 to 50k VDC	25 to 4k VDC	Up to 20K VDC
Standard Tolerance	J, K, M	K, M, P, Z	K, M, P, Z	M, P, Z
Coefficient of Thermal Expansion @ 25°C	9 X 10-6 IN/IN °C	11 X 10-6 IN/IN °C	11 X 10-6 IN/IN °C	11 X 10-6 IN/IN °C

**TYPICAL INSULATION RESISTANCE VS. TEMP (°C)  
FOR C0G, NP0 & X7R DIELECTRICS**



# High Temperature (+200°C), High Voltage Radial Ceramic Cased Capacitors (C<sup>3</sup>)

## VCR/VRR Series

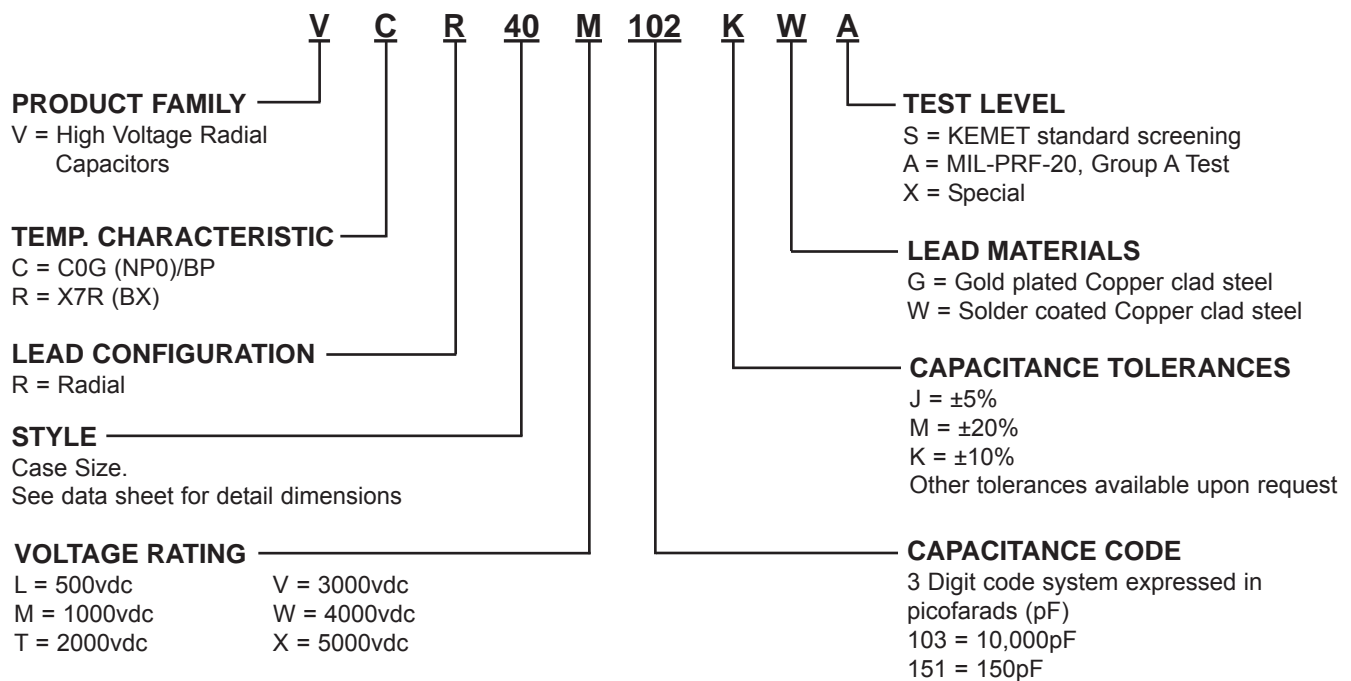
Ceramic cased capacitors, with a new, unique design concept which eliminates potential problems associated with conventional epoxy cased epoxy potted capacitors.

Major application is high voltage power supplies. High voltage capacitors are also utilized on high voltage meter multiplier and RF circuits.

### INSTALLATION:

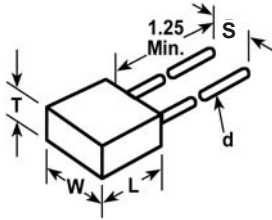
Parts should be soldered using a heat sink between the soldering point and the part using a soldering iron rated 18-30 watts. Remove all traces of flux or other contamination resulting from the soldering operation. An intermittent conducting path between the leads, at high voltage, could cause breakdown. Soldering temperature should not exceed +300°C.

### PART NUMBER AND ORDERING INFORMATION



MARKING	EXAMPLE
Manufacturer's ID	KEC
Capacitance	106J
Voltage	500V
Date Code	123

**RADIAL**  
All Dimensions  
in Inches (mm)



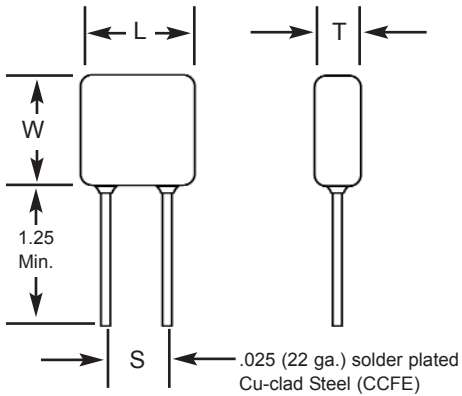
**C0G DIELECTRIC**

STYLE		07	40	50	60	70	80																			
L <sub>MAX</sub>		.300 (7.62)	.350 (8.89)	.450 (11.43)	.550 (13.97)	.650 (16.51)	.750 (19.05)																			
W <sub>MAX</sub>		.300 (7.62)	.400 (10.16)	.500 (12.70)	.600 (15.24)	.700 (17.78)	.800 (20.32)																			
T <sub>MAX</sub>		.150 (3.81)	.275 (6.98)	.300 (7.62)	.375 (9.52)	.375 (9.52)	.375 (9.52)																			
S		.200 ± .015 (5.08 ± .38)	.300 ± .015 (7.62 ± .38)	.400 ± .015 (10.16 ± .38)	.500 ± .015 (12.70 ± .38)	.600 ± .015 (15.24 ± .38)	.600 ± .015 (15.24 ± .38)																			
d		.025 ± .002 (.635 ± .051)	.032 ± .004 (.813 ± .102)	.032 ± .004 (.813 ± .102)	.032 ± .004 (.813 ± .102)	.032 ± .004 (.813 ± .102)	.032 ± .004 (.813 ± .102)																			
Cap	Cap Code	WVDC		WVDC			WVDC			WVDC			WVDC			WVDC										
		500	1k	2k	500	1k	2k	3k	4k	500	1k	2k	3k	4k	5k	500	1k	2k	3k	4k	5k	500	1k	2k	3k	4k
10 pF	100																									
12	120																									
15	150																									
18	180																									
22	220																									
27	270																									
33	330																									
39	390																									
47	470																									
56	560																									
68	680																									
82	820																									
100	101																									
120	121																									
150	151																									
180	181																									
220	221																									
270	271																									
330	331																									
390	391																									
470	471																									
560	561																									
680	681																									
820	821																									
1000	102																									
1200	122																									
1500	152																									
1800	182																									
2200	222																									
2700	272																									
3300	332																									
3900	392																									
4700	472																									
5600	562																									
6800	682																									
8200	822																									
0.01 μF	103																									
0.012	123																									
0.015	153																									
0.018	183																									
0.022	223																									
0.027	273																									
0.033	333																									
0.039	393																									
0.047	473																									
0.056	563																									





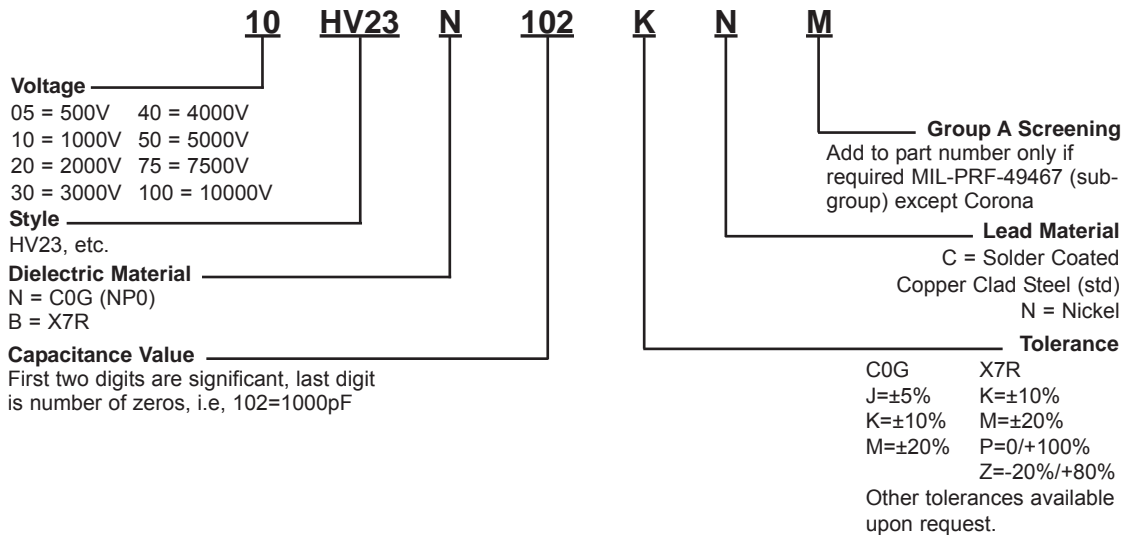
**CAPACITOR OUTLINE DRAWING**



**DIMENSIONS**

Style	Sizes in Inches (mm) max.			Lead Spacing ±0.030 (S)
	Length (L)	Width (W)	Thickness (T)	
HV20	.250 (6.35)	.220 (5.59)	.200 (5.08)	.170 (4.32)
HV21	.320 (8.13)	.280 (7.11)	.250 (6.35)	.220 (5.59)
HV22	.370 (9.40)	.300 (7.62)	.250 (6.35)	.275 (6.98)
HV23	.470 (11.94)	.400 (10.16)	.270 (6.89)	.375 (9.52)
HV24	.570 (14.48)	.500 (12.70)	.270 (6.89)	.475 (12.06)
HV25	.670 (17.02)	.600 (15.24)	.270 (6.89)	.575 (14.60)
HV26	.770 (19.56)	.720 (18.29)	.270 (6.89)	.675 (17.14)
HV30	.450 (11.43)	.220 (5.59)	.200 (5.08)	.300 (7.62)
HV31	.550 (13.97)	.280 (7.11)	.250 (6.35)	.400 (10.16)
HV33	.850 (21.59)	.400 (10.16)	.270 (6.89)	.700 (17.78)
HV34	1.050 (26.67)	.500 (12.70)	.270 (6.89)	.975 (24.76)
HV35	1.250 (31.75)	.600 (15.24)	.270 (6.89)	1.175 (29.84)
HV36	1.450 (36.83)	.720 (18.29)	.270 (6.89)	1.375 (34.92)

**PART NUMBER AND ORDERING INFORMATION**



**MARKING**

(HV20, HV21)	(All Other Sizes)
103K	HV24A103K
1 kV	1 kV
KEC	KEC
Date Code	Date Code







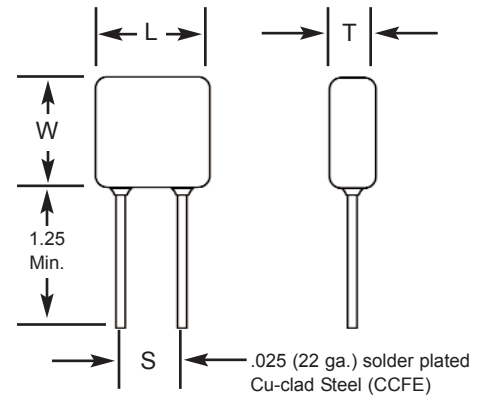


# High Voltage MIL-PRF-49467 (Equivalent) HV Series

## FEATURES

1. Electrical characteristics and environmental information on these parts may be obtained by referring to MIL-PRF-49467.
2. All parts are conformal coated multilayer ceramic.
3. Designed to provide excellent long-term reliability.
4. Parts are Group A screened per MIL-PRF-49467 which includes 100% Corona testing and meet all other specification requirements.
5. Designed for surface, sea and airborne military and commercial high-reliability applications.
6. No IR degradation over life.
7. BR (X7R) V/Tc is -40% at rated voltage and BZ (X7R) V/Tc is -40% at 60% rated voltage.
8. BX characteristic (-25%) on BR parts is approximately 52% rated voltage.
9. 100% Non-destructive test by means of CSAM inspection available.

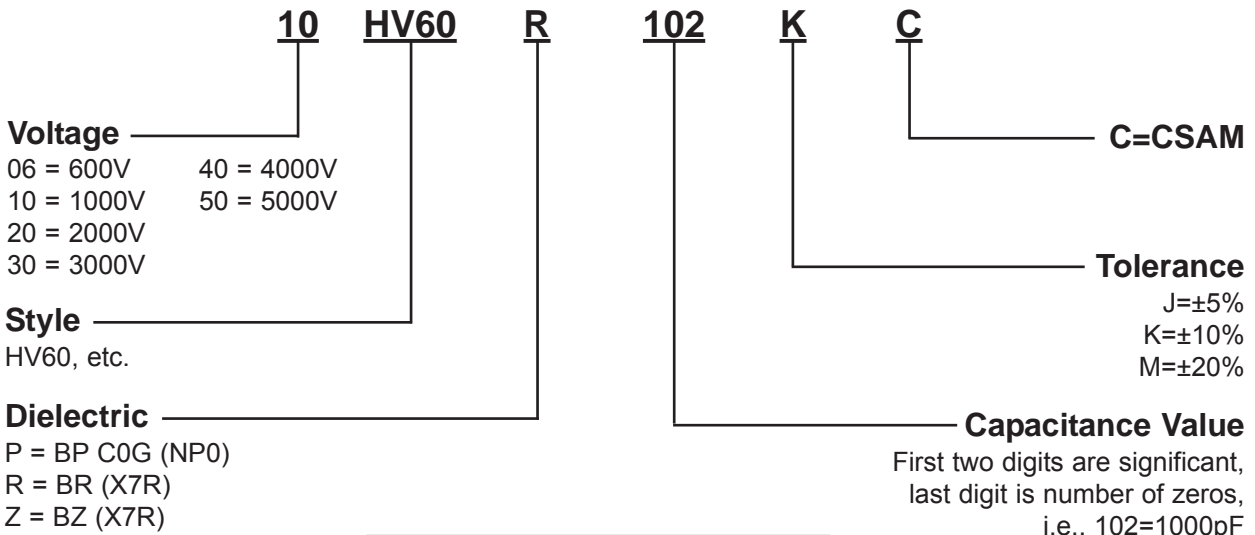
## CAPACITOR OUTLINE DRAWING



## DIMENSIONS

Style	Sizes in Inches (mm) max.			Lead Spacing ±0.030 (S)
	Length (L)	Width (W)	Thickness (T)	
HV60	.250 (6.35)	.220 (5.59)	.200 (5.08)	.170 (4.32)
HV61	.320 (8.13)	.280 (7.11)	.250 (6.35)	.220 (5.59)
HV62	.370 (9.40)	.300 (7.62)	.250 (6.35)	.275 (6.98)
HV63	.470 (11.94)	.400 (10.16)	.270 (6.86)	.375 (9.52)
HV64	.570 (14.48)	.500 (12.70)	.270 (6.86)	.475 (12.06)
HV65	.670 (17.02)	.600 (15.24)	.270 (6.86)	.575 (14.60)
HV66	.770 (19.56)	.720 (18.29)	.270 (6.86)	.675 (17.14)
HV68	1.300 (33.02)	.600 (15.24)	.270 (6.86)	1.175 (29.84)
HV69	1.500 (38.10)	.720 (18.29)	.270 (6.86)	1.375 (34.92)

## PART NUMBER AND ORDERING INFORMATION



MARKING	
(HV60, HV61)	(All Other Sizes)
102K	HV63R102K
1 kV	1 kV
KEC	KEC
Date Code	Date Code





# High Voltage MIL-PRF-49467 (Equivalent) HV Series

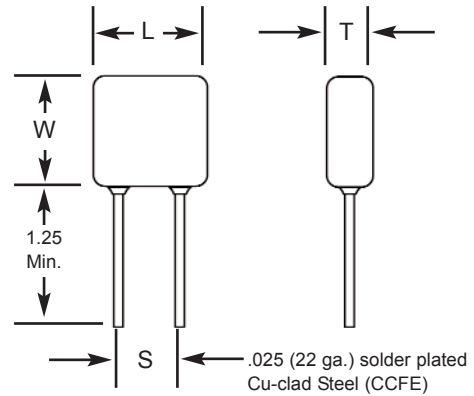
## X7R DIELECTRIC

STYLE		HV60			HV61			HV62			HV63				HV64				HV65				HV66				HV 68			HV 69									
		L MAX																																					
Cap	W MAX	.220 (5.59)			.280 (7.11)			.300 (7.62)			.400 (10.16)				.500 (12.70)				.600 (15.24)				.720 (18.29)				.600 (15.24)			.720 (18.29)									
	T MAX	.200 (5.08)			.250 (6.35)			.250 (6.35)			.270 (6.86)				.270 (6.86)				.270 (6.86)				.270 (6.86)				.270 (6.86)			.270 (6.86)									
	S± .030	.170 (4.32)			.220 (5.59)			.275 (6.98)			.375 (9.52)				.475 (12.06)				.575 (14.60)				.675 (17.14)				1.175 (29.84)			1.375 (34.92)									
	Lead Dia. +0.004/-0.002	.025 (.635)			.025 (.635)			.025 (.635)			.025 (.635)				.025 (.635)				.025 (.635)				.025 (.635)				0.025 (.635)			0.025 (.635)									
	Cap Code	WVDC			WVDC			WVDC			WVDC				WVDC				WVDC				WVDC				WVDC			WVDC									
	600	1k	2k	600	1k	2k	3k	600	1k	2k	3k	600	1k	2k	3k	4k	600	1k	2k	3k	4k	5k	1k	2k	3k	4k	5k	1k	2k	3k	4k	5k	3k	4k	5k	3k	4k	5k	
	270pF	271																																					
330	331																																						
390	391																																						
470	471																																						
560	561																																						
680	681																																						
820	821																																						
1000	102																																						
1200	122																																						
1500	152																																						
1800	182																																						
2200	222																																						
2700	272																																						
3300	332																																						
3900	392																																						
4700	472																																						
5600	562																																						
6800	682																																						
8200	822																																						
0.01uF	103																																						
0.012	123																																						
0.015	153																																						
0.018	183																																						
0.022	223																																						
0.027	273																																						
0.033	333																																						
0.039	393																																						
0.047	473																																						
0.056	563																																						
0.068	683																																						
0.082	823																																						
0.10	104																																						
0.12	124																																						
0.15	154																																						
0.18	184																																						
0.22	224																																						
0.27	274																																						
0.33	334																																						
0.39	394																																						
0.47	474																																						

**FEATURES**

1. Conforms to MIL-PRF-49467. (Group A Screening, Subgroup 1)
2. 100% Corona tested.
3. No IR degradation over life.
4. High density, low DF ceramic.
5. Conservative and proven design is recommended for non-repairable applications such as spacecraft.
6. CSAM inspection is available and is recommended for space applications.
7. Burn-in in a non-contaminating inert fluid is standard for  $\geq 2\text{KV}$ ; optional for 500V or 1 KV parts.

**CAPACITOR OUTLINE DRAWING**



**DIMENSIONS**

Style	Sizes in Inches (mm) max.			Lead Spacing $\pm 0.030$ (S)
	Length (L)	Width (W)	Thickness (T)	
HS20	.250 (6.35)	.220 (5.59)	.200 (5.08)	.170 (4.32)
HS21	.320 (8.13)	.280 (7.11)	.250 (6.35)	.220 (5.59)
HS22	.370 (9.40)	.300 (7.62)	.250 (6.35)	.275 (6.98)
HS30	.450 (11.43)	.220 (5.59)	.200 (5.08)	.300 (7.62)
HS23	.470 (11.94)	.400 (10.16)	.270 (6.89)	.375 (9.52)
HS31	.550 (13.97)	.280 (7.11)	.250 (6.35)	.400 (10.16)
HS24	.570 (14.48)	.500 (12.70)	.270 (6.89)	.475 (12.06)
HS25	.670 (17.02)	.600 (15.24)	.270 (6.89)	.575 (14.60)
HS26	.770 (19.56)	.720 (18.29)	.270 (6.89)	.675 (17.14)
HS33	.850 (21.59)	.400 (10.16)	.270 (6.89)	.700 (17.78)
HS34	1.050 (26.67)	.500 (12.70)	.270 (6.89)	.975 (24.76)
HS35	1.250 (31.75)	.600 (15.24)	.270 (6.89)	1.175 (29.84)
HS36	1.450 (36.83)	.720 (18.29)	.270 (6.89)	1.375 (34.92)

**PART NUMBER AND ORDERING INFORMATION**

**VOLTAGE** 10 **HS24** **B** 103 **K** **C** **F**

05 = 500V      40 = 4000V  
 10 = 1000V    50 = 5000V  
 20 = 2000V    75 = 7500V  
 30 = 3000V    100 = 10,000V

**STYLE** \_\_\_\_\_  
 HS24, etc.

**DIELECTRIC** \_\_\_\_\_  
 B = X7R  
 N = BP C0G (NP0)

**CAPACITANCE VALUE** \_\_\_\_\_  
 First two digits are significant, last digit is number of zeros, i.e., 103=10000pF

**INERT LIQUID (BURN-IN)**  
 Std. for  $\geq 2\text{kV}$ ;  
 Add "F" if required for 500V or 1kV parts

**C=CSAM**

**TOLERANCE**  
 J =  $\pm 5\%$   
 K =  $\pm 10\%$   
 M =  $\pm 20\%$   
 P = 0/+100%  
 Z = -20%/+80%

MARKING	
(HS20, HV21)	(All Other Sizes)
103K	HS24B103K
1 kV	1 kV
KEC	KEC
Date Code	Date Code





# High Voltage Space Quality MLC (-55° to +125°C) HS Series

## X7R DIELECTRIC

STYLE		HS 20			HS 21			HS 22			HS 23				HS 24					HS 25					HS 26						
Cap	L MAX	.250 (6.35)	.320 (8.13)			.370 (9.40)			.470 (11.94)				.570 (14.48)					.670 (17.02)					.770 (19.56)								
	W MAX	.220 (5.59)	.280 (7.11)			.300 (7.62)			.400 (10.16)				.500 (12.70)					.600 (15.24)					.720 (18.29)								
	T MAX	.200 (5.08)	.250 (6.35)			.250 (6.35)			.270 (6.86)				.270 (6.86)					.270 (6.86)					.270 (6.86)								
	S± .030	.170 (4.32)	.220 (5.59)			.275 (6.98)			.375 (9.52)				.475 (12.06)					.575 (14.60)					.675 (17.14)								
	Lead Dia. <small>+0.004/-0.002</small>	.025 (.635)	.025 (.635)			.025 (.635)			.025 (.635)				.025 (.635)					.025 (.635)					.025 (.635)								
	Cap Code		WVDC			WVDC			WVDC				WVDC					WVDC					WVDC								
		500	1k	2k	500	1k	2k	500	1k	2k	500	1k	2k	3k	500	1k	2k	3k	4k	500	1k	2k	3k	4k	5k	500	1k	2k	3k	4k	5k
270pF	271			■																											
330	331			■																											
390	391			■																											
470	471			■																■											
560	561			■																■											
680	681	■	■	■				■	■	■										■	■	■									
820	821	■	■	■				■	■	■										■	■	■									
1000	102	■	■	■				■	■	■										■	■	■									
1200	122	■	■	■				■	■	■										■	■	■								■	■
1500	152	■	■	■				■	■	■										■	■	■								■	■
1800	182	■	■	■				■	■	■										■	■	■								■	■
2200	222	■	■	■				■	■	■										■	■	■								■	■
2700	272	■	■	■				■	■	■										■	■	■								■	■
3300	332	■	■	■				■	■	■										■	■	■								■	■
3900	392	■	■	■				■	■	■										■	■	■								■	■
4700	472	■	■	■				■	■	■										■	■	■								■	■
5600	562	■	■	■				■	■	■										■	■	■								■	■
6800	682	■	■	■				■	■	■										■	■	■								■	■
8200	822	■	■	■				■	■	■										■	■	■								■	■
0.010uF	103			■																■	■	■								■	■
0.012	123			■																■	■	■								■	■
0.015	153			■																■	■	■								■	■
0.018	183			■																■	■	■								■	■
0.022	223			■																■	■	■								■	■
0.027	273			■																■	■	■								■	■
0.033	333			■																■	■	■								■	■
0.039	393			■																■	■	■								■	■
0.047	473			■																■	■	■								■	■
0.056	563			■																■	■	■								■	■
0.068	683			■																■	■	■								■	■
0.082	823			■																■	■	■								■	■
0.10	104			■																■	■	■								■	■
0.12	124			■																■	■	■								■	■
0.15	154			■																■	■	■								■	■
0.18	184			■																■	■	■								■	■
0.22	224			■																■	■	■								■	■
0.27	274			■																■	■	■								■	■
0.33	334			■																■	■	■								■	■
0.39	394			■																■	■	■								■	■
0.47	474			■																■	■	■								■	■
0.56	564			■																■	■	■								■	■
0.68	684			■																■	■	■								■	■
0.82	824			■																■	■	■								■	■
1.0	105			■																■	■	■								■	■
1.2	125			■																■	■	■								■	■
1.5	155			■																■	■	■								■	■
1.8	185			■																■	■	■								■	■
2.2	225			■																■	■	■								■	■
2.7	275			■																■	■	■								■	■

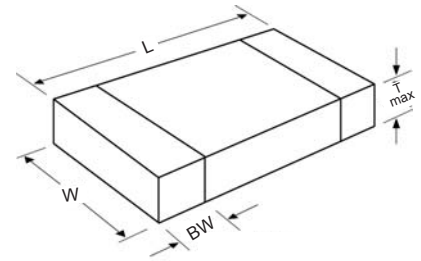


# High Voltage Ceramic Chip (+125°C) Military Equivalent

## FEATURES

1. The ceramic chip capacitors described in this section are the types used in our other high voltage ceramic multilayer product lines.
2. Types BP available as described in MIL-PRF-49467.
3. Group A and B screening per MIL-PRF-49467 available. - TCVC exceptions apply.
4. Ceramic chip capacitors are extremely sensitive to thermal shock damage during installation. Wherever possible, processes involving infrared or vapor phase soldering systems should be utilized.
5. Higher voltages available upon request.
6. Where nickel barrier termination is required, bandwidth dimensions may exceed the standard dimension listed.

## CERAMIC CHIP OUTLINE DRAWING

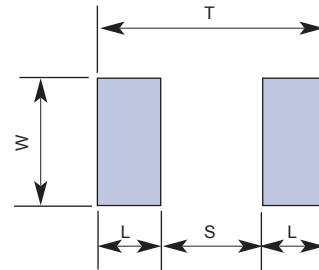


## DIMENSIONS

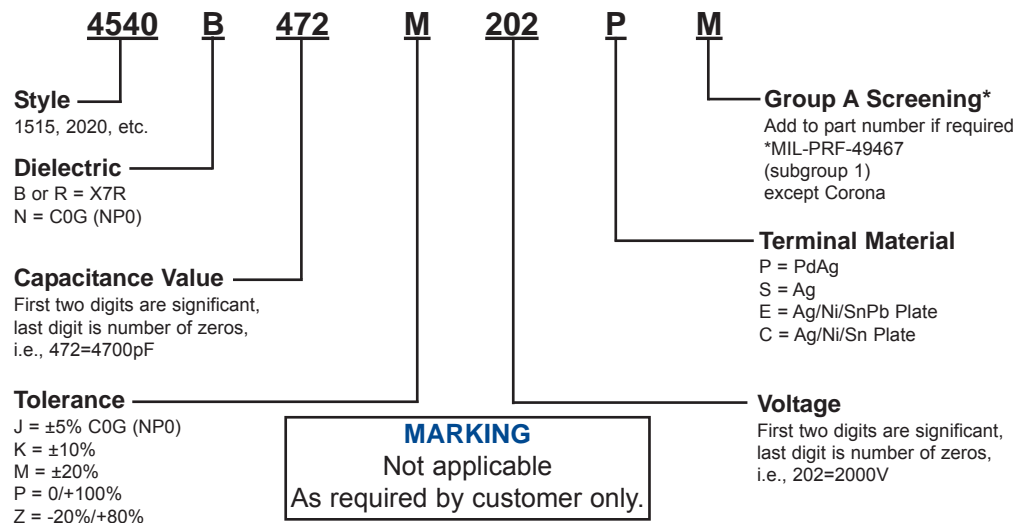
Style	Length (L) Inches (mm)	Width (W) Inches (mm)	Thickness (T) max Inches (mm)	Bandwidth (BW) Inches
1515	.150 ±.015 (3.81 ±.38)	.150 ±.015 (3.81 ±.38)	.140 (3.55)	.010 - .030"
1812	.180 ±.020 (4.57 ±.51)	.120 ±.015 (3.05 ±.38)	.100 (2.54)	.010 - .040"
1825	.180 ±.020 (4.57 ±.51)	.250 ±.020 (6.35 ±.51)	.160 (4.07)	.010 - .040"
2020	.200 ±.020 (5.08 ±.51)	.200 ±.020 (5.08 ±.51)	.180 (3.55)	.010 - .040"
2225	.220 ±.020 (5.59 ±.51)	.250 ±.020 (6.35 ±.51)	.200 (5.08)	.010 - .040"
2520	.250 ±.020 (6.35 ±.51)	.200 ±.020 (5.08 ±.51)	.180 (4.57)	.030 - .060"
3333	.330 ±.030 (8.38 ±.76)	.330 ±.030 (8.38 ±.76)	.220 (5.59)	.030 - .060"
3530	.350 ±.030 (8.89 ±.76)	.300 ±.030 (7.62 ±.76)	.220 (5.59)	.030 - .060"
4040	.400 ±.030 (10.2 ±.76)	.400 ±.030 (10.2 ±.76)	.220 (5.59)	.030 - .060"
4540	.450 ±.030 (11.43 ±.76)	.400 ±.030 (10.2 ±.76)	.220 (5.59)	.030 - .060"
5440	.540 ±.030 (13.7 ±.76)	.400 ±.030 (10.2 ±.76)	.220 (5.59)	.030 - .060"
5550	.550 ±.030 (14.0 ±.76)	.500 ±.030 (12.7 ±.76)	.220 (5.59)	.030 - .060"
6560	.650 ±.030 (16.5 ±.76)	.600 ±.030 (15.2 ±.76)	.220 (5.59)	.030 - .060"

## RECOMMENDED SOLDER PAD PATTERN DIMENSIONS

Chip Size	T (Total Length)		S (Separation)		W (Pad Width)		L (Pad Length)	
	mm	in.	mm	in.	mm	in.	mm	in.
1515	5.20	0.205	1.90	0.075	4.34	0.171	1.65	0.065
1812	5.390	0.232	2.30	0.091	3.70	0.146	1.80	0.071
1825	5.90	0.232	2.30	0.091	6.90	0.272	1.80	0.071
2020	6.50	0.256	2.80	0.110	5.62	0.221	1.85	0.073
2225	7.00	0.276	3.30	0.130	6.80	0.268	1.85	0.073
2520	8.68	0.342	4.98	0.196	5.62	0.221	1.85	0.073
3333	10.91	0.430	7.11	0.280	9.27	0.365	1.90	0.075
3530	11.51	0.453	7.61	0.300	8.51	0.335	1.95	0.077
4040	12.88	0.507	8.88	0.350	11.05	0.435	2.00	0.079
4540	14.21	0.559	10.15	0.400	11.05	0.435	2.03	0.080
5440	16.51	0.650	10.41	0.410	11.05	0.435	3.05	0.120
5550	18.92	0.745	12.82	0.505	13.59	0.535	3.05	0.120
6560	19.80	0.780	13.20	0.520	16.13	0.635	3.30	0.130



## PART NUMBER AND ORDERING INFORMATION



## COG DIELECTRIC

STYLE		1515	1812	1825	2020	2225	2520	3333	3530			
Cap	L	.150 ± .015 (3.81 ± .38)	.180 ± .020 (4.57 ± .51)	.180 ± .020 (4.57 ± .51)	.200 ± .020 (5.08 ± .51)	.220 ± 0.020 (5.59 ± .51)	.250 ± .020 (6.35 ± .51)	.330 ± .030 (8.38 ± .76)	.350 ± .030 (8.89 ± .76)			
	W	.150 ± .015 (3.81 ± .38)	.120 ± .015 (3.05 ± .38)	.250 ± .020 (6.35 ± .51)	.200 ± .020 (5.08 ± .51)	.250 ± .020 (6.35 ± .51)	.200 ± .020 (5.08 ± .51)	.330 ± .030 (8.38 ± .76)	.300 ± .030 (7.62 ± .76)			
	T MAX	.140 (3.55)	.100 (2.54)	.160 (4.07)	.180 (4.57)	.200 (5.08)	.180(4.57)	.220 (5.59)	.220 (5.59)			
	Band Width	0.010-0.030	0.010-0.040	0.010-0.040	0.010-0.040	0.010-0.040	0.030-0.060	0.030-0.060	0.030-0.060			
	Cap Code	WVDC			WVDC			WVDC			WVDC	
		500 1k 2k 3k	500 1k 2k 3k	500 1k 2k 3k	500 1k 2k 3k	500 1k 2k 3k	500 1k 2k 3k	500 1k 2k 3k 4k	500 1k 2k 3k 4k			
12pF	120											
15	150											
18	180											
22	220											
27	270											
33	330											
39	390											
47	470											
56	560											
68	680											
82	820											
100	101											
120	121											
150	151											
180	181											
220	221											
270	271											
330	331											
390	391											
470	471											
560	561											
680	681											
820	821											
1000	102											
1200	122											
1500	152											
1800	182											
2200	222											
2700	272											
3300	332											
3900	392											
4700	472											
5600	562											
6800	682											
8200	822											
0.010uF	103											
0.012	123											
0.015	153											
0.018	183											
0.022	223											



# High Voltage Ceramic Chip (+125°C) Military Equivalent

## COG DIELECTRIC

STYLE		4040					4540					5440					5550					6560						
Cap	L	.400 ± .030 (10.16 ± .76)					.450 ± .030 (11.43 ± .76)					0.540 ± .030 (13.72 ± .76)					.550 ± .030 (13.97 ± .76)					.650 ± .030 (16.51 ± .76)						
	W	.400 ± .030 (10.16 ± .76)					.400 ± .030 (10.16 ± .76)					.400 ± .030 (10.16 ± .76)					.500 ± .030 (12.70 ± .76)					.600 ± .030 (15.20 ± .76)						
	T MAX	.220 (5.59)					.220 (5.59)					.220 (5.59)					.220 (5.59)					.220 (5.59)						
	Band Width	0.030 - 0.060					0.030 - 0.060					0.030 - 0.060					0.030 - 0.060					0.030 - 0.060						
	Cap Code	WVDC					WVDC					WVDC					WVDC					WVDC						
		500	1k	2k	3k	4k	500	1k	2k	3k	4k	5k	500	1k	2k	3k	4k	500	1k	2k	3k	4k	5k	500	1k	2k	3k	4k
15pF	150																											
18	180																											
22	220																											
27	270																											
33	330																											
39	390																											
47	470																											
56	560																											
68	680																											
82	820																											
100	101																											
120	121																											
150	151																											
180	181																											
220	221																											
270	271																											
330	331																											
390	391																											
470	471																											
560	561																											
680	681																											
820	821																											
1000	102																											
1200	122																											
1500	152																											
1800	182																											
2200	222																											
2700	272																											
3300	332																											
3900	392																											
4700	472																											
5600	562																											
6800	682																											
8200	822																											
0.010uF	103																											
0.012	123																											
0.015	153																											
0.018	183																											
0.022	223																											
0.027	273																											
0.033	333																											
0.039	393																											
0.047	473																											
0.056	563																											
0.068	683																											
0.082	823																											
0.10	104																											

X7R DIELECTRIC

STYLE		1515			1812			1825				2020				2225				2520				3333				3530											
Cap	L	.150 ± .015 (3.81 ± .38)			.180 ± .020 (4.57 ± .51)			.180 ± .020 (4.57 ± .51)				.200 ± .020 (5.08 ± .51)				.220 ± 0.020 (5.59 ± .51)				.250 ± .020 (6.35 ± .51)				.330 ± .030 (8.38 ± .76)				.350 ± .030 (8.89 ± .76)											
	W	.150 ± .015 (3.81 ± .38)			.120 ± .015 (3.05 ± .38)			.250 ± .020 (6.35 ± .51)				.200 ± .020 (5.08 ± .51)				.250 ± .020 (6.35 ± .51)				.200 ± .020 (5.08 ± .51)				.330 ± .030 (8.38 ± .76)				.300 ± .030 (7.62 ± .76)											
	T MAX	.140 (3.55)			.100 (2.54)			.160 (4.07)				.180 (4.57)				.200 (5.08)				.180 (4.57)				.220 (5.59)				.220 (5.59)											
	Band Width	0.010-0.030			0.010-0.040			0.010-0.040				0.010-0.040				0.010-0.040				0.030-0.060				0.030-0.060				0.030-0.060											
	Cap Code	WVDC			WVDC			WVDC				WVDC				WVDC				WVDC				WVDC				WVDC											
	500	1k	2k	500	1k	2k	500	1k	2k	3k	500	1k	2k	3k	500	1k	2k	3k	500	1k	2k	3k	500	1k	2k	3k	500	1k	2k	3k	500	1k	2k	3k	4k				
270pF	271																																						
330	331																																						
390	391																																						
470	471																																						
560	561																																						
680	681																																						
820	821																																						
1000	102																																						
1200	122																																						
1500	152																																						
1800	182																																						
2200	222																																						
2700	272																																						
3300	332																																						
3900	392																																						
4700	472																																						
5600	562																																						
6800	682																																						
8200	822																																						
0.010uF	103																																						
0.012	123																																						
0.015	153																																						
0.018	183																																						
0.022	223																																						
0.027	273																																						
0.033	333																																						
0.039	393																																						
0.047	473																																						
0.056	563																																						
0.068	683																																						
0.082	823																																						
0.10	104																																						
0.12	124																																						
0.15	154																																						
0.18	184																																						
0.22	224																																						
0.27	274																																						
0.33	334																																						
0.39	394																																						
0.47	474																																						
0.56	564																																						
0.68	684																																						
0.82	824																																						

# High Voltage Ceramic Chip (+125°C) Military Equivalent

## X7R DIELECTRIC

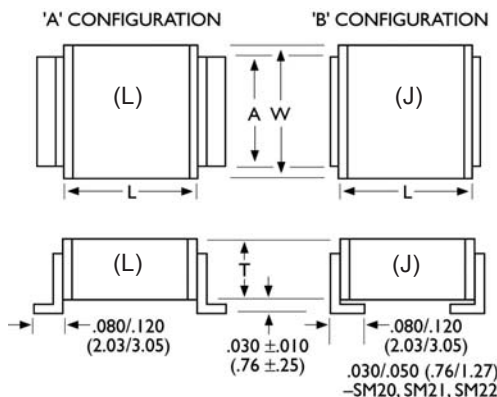
STYLE		4040					4540					5440					5550					6560							
Cap	L	.400 ± .030 (10.16 ± .76)					.450 ± .030 (11.43 ± .76)					.540 ± .030 (13.72 ± .76)					.550 ± .030 (13.97 ± .76)					.650 ± .030 (16.51 ± .76)							
	W	.400 ± .030 (10.16 ± .76)					.400 ± .030 (10.16 ± .76)					.400 ± .030 (10.16 ± .76)					.500 ± .030 (12.70 ± .76)					.600 ± .030 (15.20 ± .76)							
	T MAX	.220 (5.59)					.220 (5.59)					.220 (5.59)					.220 (5.59)					.220 (5.59)							
	Band Width	0.030 - 0.060					0.030 - 0.060					0.030 - 0.060					0.030 - 0.060					0.030 - 0.060							
	Cap Code	WVDC					WVDC					WVDC					WVDC					WVDC							
		500	1k	2k	3k	4k	500	1k	2k	3k	4k	5k	500	1k	2k	3k	4k	500	1k	2k	3k	4k	5k	500	1k	2k	3k	4k	5k
470pF	471																												
560	561																												
680	681																												
820	821																												
1000	102																												
1200	122																												
1500	152																												
1800	182																												
2200	222																												
2700	272																												
3300	332																												
3900	392																												
4700	472																												
5600	562																												
6800	682																												
8200	822																												
0.010uF	103																												
0.012	123																												
0.015	153																												
0.018	183																												
0.022	223																												
0.027	273																												
0.033	333																												
0.039	393																												
0.047	473																												
0.056	563																												
0.068	683																												
0.082	823																												
0.10	104																												
0.12	124																												
0.15	154																												
0.18	184																												
0.22	224																												
0.27	274																												
0.33	334																												
0.39	394																												
0.47	474																												
0.56	564																												
0.68	684																												
0.82	824																												
1.0	105																												
1.2	125																												
1.5	155																												
1.8	185																												
2.2	225																												
2.7	275																												

### FEATURES

1. Silver plated copper alloy terminal for easy soldering.
2. Mounting tabs are designed to minimize the effect of thermal stress introduced by the differences in coefficient of thermal expansion between the capacitor and the mounting surface.
3. Low ESR.
4. High current discharge capability.
5. Group A and B screening per MIL-PRF-49467 available .
6. Standard lead configuration is 'B'.(J) If lead configuration is left out of part number the lead style is assumed to be 'B'.

### CAPACITOR OUTLINE DRAWING

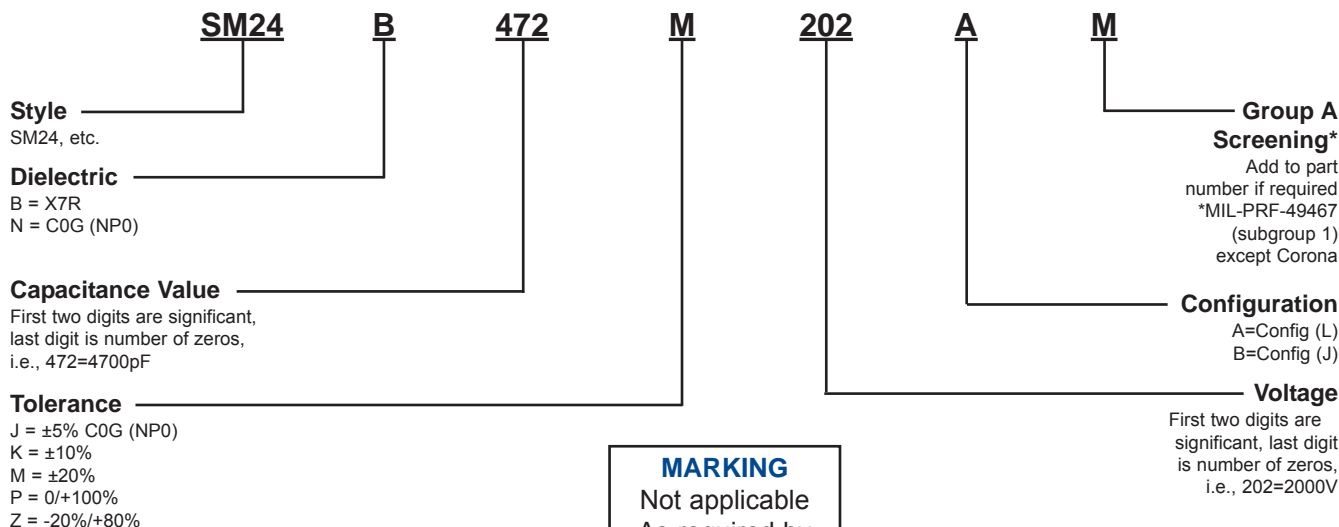
#### STANDARD



### DIMENSIONS

Style	Length (L) Inches (mm)	Width (W) Inches (mm)	Thickness (T) max Inches (mm)	Tab (A) max Inches (mm)
SM20	.150 ±.015 (3.81 ±.38)	.150 ±.015 (3.81 ±.38)	.130 (3.30)	.100 (2.54)
SM21	.200 ±.020 (5.08 ±.51)	.200 ±.020 (5.08 ±.51)	.180 (4.57)	.100 (2.54)
SM22	.250 ±.020 (6.35 ±.51)	.200 ±.020 (5.08 ±.51)	.180 (4.57)	.100 (2.54)
SM23	.350 ±.030 (8.89 ±.76)	.300 ±.030 (7.62 ±.76)	.220 (5.59)	.200 (5.08)
SM24	.450 ±.030 (11.43 ±.76)	.400 ±.030 (10.20 ±.76)	.220 (5.59)	.300 (7.62)
SM25	.550 ±.030 (14.00 ±.76)	.500 ±.030 (12.70 ±.76)	.220 (5.59)	.400 (10.2)
SM26	.650 ±.030 (16.50 ±.76)	.600 ±.030 (15.20 ±.76)	.220 (5.59)	.500 (12.7)
SM30	.300 ±.030 (7.62 ±.76)	.150 ±.015 (3.81 ±.38)	.140 (3.55)	.100 (2.54)
SM31	.400 ±.030 (10.20 ±.76)	.200 ±.020 (5.08 ±.51)	.130 (3.30)	.100 (2.54)
SM33	.700 ±.030 (17.08 ±.76)	.300 ±.030 (7.62 ±.76)	.180 (4.57)	.200 (5.08)
SM34	.900 ±.030 (22.90 ±.76)	.400 ±.030 (10.20 ±.76)	.220 (5.59)	.300 (7.62)
SM35	1.100 ±.030 (27.90 ±.76)	.500 ±.030 (12.70 ±.76)	.220 (5.59)	.400 (10.2)
SM36	1.350 ±.030 (33.00 ±.76)	.600 ±.030 (15.20 ±.76)	.220 (5.59)	.500 (12.7)

### PART NUMBER AND ORDERING INFORMATION



# High Voltage L and J Leaded Ceramic Capacitor SM Series

## COG DIELECTRIC

STYLE		SM20				SM21				SM22				SM23					SM24					SM25					SM26									
Cap	L	.150 ± .015 (3.31 ± .38)				.200 ± .020 (5.08 ± .51)				.250 ± .020 (6.35 ± .51)				.350 ± .030 (8.89 ± .76)					.450 ± .030 (11.43 ± .76)					.550 ± .030 (14.00 ± .76)					.650 ± .030 (16.50 ± .76)									
	W	.150 ± .015 (3.31 ± .38)				.200 ± .020 (5.08 ± .51)				.200 ± .020 (5.08 ± .51)				.300 ± .030 (7.62 ± .76)					.400 ± .030 (10.20 ± .76)					.500 ± .030 (12.70 ± .76)					.600 ± .030 (15.20 ± .76)									
	T MAX	.130 (3.30)				.180 (4.57)				.180 (4.57)				.220 (5.59)					.220 (5.59)					.220 (5.59)														
	Tab A max	.100 (2.54)				.100 (2.54)				.100 (2.54)				.200 (5.08)					.300 (7.62)					.400 (10.20)					.500 (12.70)									
	Cap Code	WVDC				WVDC				WVDC				WVDC					WVDC					WVDC														
		500	1k	2k	3k	500	1k	2k	3k	500	1k	2k	3k	500	1k	2k	3k	4k	500	1k	2k	3k	4k	5k	500	1k	2k	3k	4k	5k	500	1k	2k	3k	4k	5k		
12pF	120																																					
15	150																																					
18	180																																					
22	220																																					
27	270																																					
33	330																																					
39	390																																					
47	470																																					
56	560																																					
68	680																																					
82	820																																					
100	101																																					
120	121																																					
150	151																																					
180	181																																					
220	221																																					
270	271																																					
330	331																																					
390	391																																					
470	471																																					
560	561																																					
680	681																																					
820	821																																					
1000	102																																					
1200	122																																					
1500	152																																					
1800	182																																					
2200	222																																					
2700	272																																					
3300	332																																					
3900	392																																					
4700	472																																					
5600	562																																					
6800	682																																					
8200	822																																					
0.01uF	103																																					
0.012	123																																					
0.015	153																																					
0.018	183																																					
0.022	223																																					
0.027	273																																					
0.033	333																																					
0.039	393																																					
0.047	473																																					
0.056	563																																					
0.068	683																																					
0.082	823																																					
0.10	104																																					



# High Voltage L and J Leaded Ceramic Capacitor SM Series

## X7R DIELECTRIC

STYLE		SM20			SM21			SM22			SM23			SM24			SM25			SM26									
Cap	L	.150 ± .015 (3.31 ± .38)			.200 ± .020 (5.08 ± .51)			.250 ± .020 (6.35 ± .51)			.350 ± .030 (8.89 ± .76)			.450 ± .030 (11.43 ± .76)			.550 ± .030 (14.00 ± .76)			.650 ± .030 (16.50 ± .76)									
	W	.150 ± .015 (3.31 ± .38)			.200 ± .020 (5.08 ± .51)			.200 ± .020 (5.08 ± .51)			.300 ± .030 (7.62 ± .76)			.400 ± .030 (10.20 ± .76)			.500 ± .030 (12.70 ± .76)			.600 ± .030 (15.20 ± .76)									
	T <sub>MAX</sub>	.130 (3.30)			.180 (4.57)			.180 (4.57)			.220 (5.59)			.220 (5.59)			.220 (5.59)			.220 (5.59)									
	Tab A max	.100 (2.54)			.100 (2.54)			.100 (2.54)			.200 (5.08)			.300 (7.62)			.400 (10.20)			.500 (12.70)									
	Cap Code	WVDC			WVDC			WVDC			WVDC			WVDC			WVDC			WVDC									
		500	1k	2k	500	1k	2k	3k	500	1k	2k	3k	500	1k	2k	3k	4k	500	1k	2k	3k	4k	5k	500	1k	2k	3k	4k	5k
270pF	271																												
	330																												
	390																												
	470																												
	560																												
	680																												
	820																												
	1000																												
	1200																												
	1500																												
	1800																												
	2200																												
	2700																												
	3300																												
	3900																												
	4700																												
	5600																												
	6800																												
	8200																												
0.01uF	103																												
	0.012																												
	0.015																												
	0.018																												
	0.022																												
	0.027																												
	0.033																												
	0.039																												
	0.047																												
	0.056																												
	0.068																												
	0.082																												
	0.10																												
	0.12																												
	0.15																												
	0.18																												
	0.22																												
	0.27																												
	0.33																												
	0.39																												
	0.47																												
	0.56																												
	0.68																												
	0.82																												
	1.0																												
	1.2																												
	1.5																												
	1.8																												
	2.2																												
	2.7																												





# High Voltage Disc Ceramic Capacitor

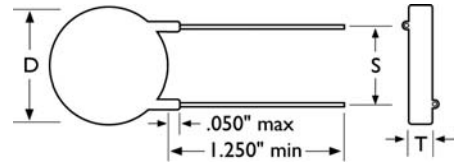
## D Series

### FEATURES

Disc ceramic capacitors made under strict quality control procedures are a reliable component. Special attention is given to the ceramic pressing operation to assure high and uniform ceramic density.

These parts are manufactured for the quality conscious customer. Parts are available screened to MIL-PRF-49467 established reliability specification.

### CAPACITOR OUTLINE DRAWING



### INSTALLATION

Higher-voltage parts may require further encapsulation to prevent surface breakdown. Parts should be cleaned and oven dried at 85°C before further encapsulation. Silicone rubbers or an epoxy may be used. De-airing of encapsulants is recommended. We recommend that a heat sink be attached to the lead between the soldering iron and the capacitor during installation soldering. Testing of higher-voltage parts before encapsulation may be done in a suitable dielectric fluid such as Freon.

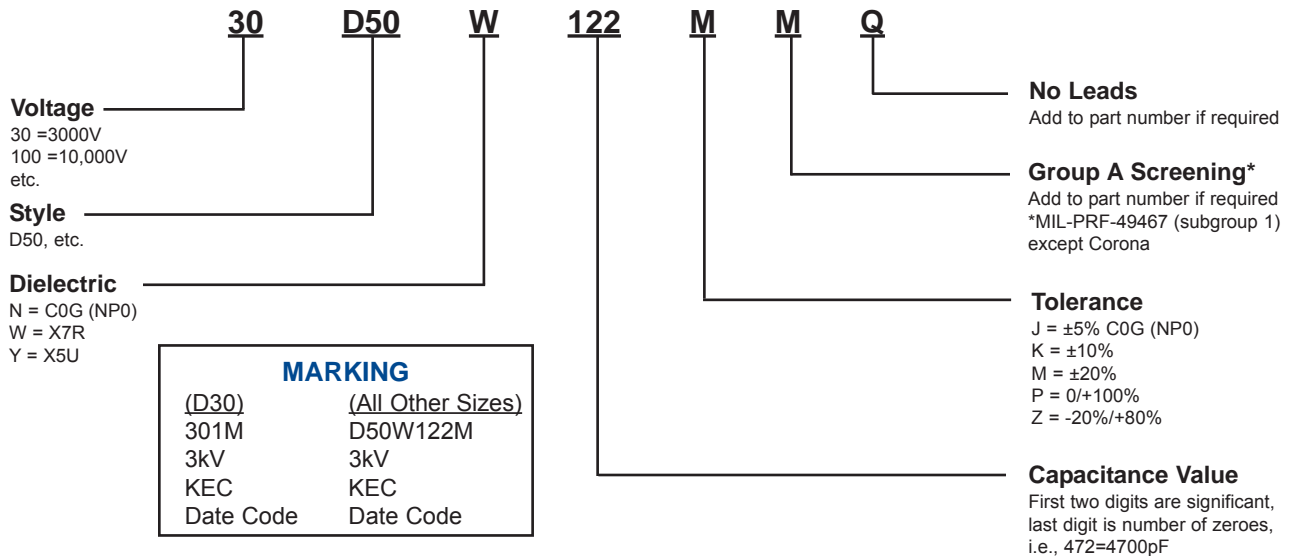
### DIELECTRIC COMPARISON

CERAMIC TYPE	C0G (NP0)	X7R	X5U
Dissipation Factor	0.1%	2.5%	2.5%
Temperature Coefficient	±30ppm/°C	±15%	+22% -56%
Voltage Coefficient	0	-20%	N/A
Dielectric Withstanding Voltage Test	3 to 15kV at 1.5x rated, 20 to 50kV at rated +10kV	3 to 15kV at 1.5x rated, 20 to 50kV at rated +10kV	3 to 15kV at 1.5x rated, 20 to 50kV at rated +10kV
Insulation Resistance (25°C)	100k megohms or 1k megohms-μF, whichever is less	100k megohms or 1k megohms-μF, whichever is less	10k megohms or 100 megohms-μF, whichever is less
Operating Temperature Range (rated voltage)	-55°C to +125°C	-55°C to +125°C	-55°C to +85°C

**Thickness:** 3kV = 0.15 (3.81)  
**Inches (mm) max.** 5kV = 0.20 (5.08)  
 7.5kV = 0.28 (7.11)  
 10kV = 0.35 (8.89)  
 15kV = 0.45 (11.43)  
 20kV = 0.55 (13.97)  
 30kV = 0.95 (24.13)  
 40kV = 1.20 (30.48)  
 50kV = 1.50 (38.10)

**Lead Type:** Solder plated, copper-clad steel (CCFE)-  
 D30, D40: 0.025" (22GA)  
 D50 & Larger: 0.032" (20GA)

### PART NUMBER AND ORDERING INFORMATION



### 3K VDC

Disc Style	D Max.	S ±.030	C0G (NP0)		X7R		X5U	
			Min.	Max.	Min.	Max.	Min.	Max.
D30	.30	.250	7.8pF	9.6pF	250pF	300pF	520pF	700pF
D40	.40	.250	20pF	25pF	630pF	770pF	1300pF	1800pF
D50	.50	.375	36pF	44pF	1100pF	1400pF	2400pF	3200pF
D75	.75	.375	80pF	98pF	2500pF	3100pF	5300pF	7200pF
D90	.90	.500	123pF	150pF	3800pF	4700pF	8200pF	11000pF
D100	1.00	.500	145pF	178pF	4600pF	5600pF	9700pF	13000pF
D120	1.20	.500	193pF	236pF	6000pF	7400pF	12900pF	17300pF

### 5K VDC

D30	.30	.250	4.7pF	5.7pF	150pF	180pF	310pF	420pF
D40	.40	.250	12pF	15pF	380pF	460pF	810pF	1100pF
D50	.50	.375	21pF	26pF	670pF	820pF	1400pF	1900pF
D75	.75	.375	48pF	59pF	1500pF	1800pF	3200pF	4300pF
D90	.90	.500	74pF	90pF	2300pF	2800pF	4900pF	6600pF
D100	1.00	.500	87pF	107pF	2700pF	3300pF	5800pF	7800pF
D120	1.20	.500	116pF	141pF	3600pF	4400pF	7700pF	10400pF

### 7.5K VDC

D30	.30	.250	3.1pF	3.8pF	100pF	120pF	210pF	280pF
D40	.40	.250	8.1pF	9.9pF	250pF	310pF	540pF	720pF
D50	.50	.375	14pF	17pF	450pF	550pF	950pF	1300pF
D75	.75	.375	32pF	39pF	1000pF	1200pF	2100pF	2900pF
D90	.90	.500	49pF	60pF	1500pF	1900pF	3300pF	4400pF
D100	1.00	.500	58pF	71pF	1800pF	2200pF	3900pF	5200pF
D120	1.20	.500	77pF	94pF	2400pF	3000pF	5100pF	6900pF

### 10K VDC

D30	.30	.250	2.4pF	2.9pF	70pF	90pF	160pF	210pF
D40	.40	.250	6.1pF	7.4pF	190pF	230pF	400pF	540pF
D50	.50	.375	10.7pF	13.1pF	330pF	410pF	710pF	960pF
D75	.75	.375	24pF	29pF	750pF	920pF	1600pF	2200pF
D90	.90	.500	37pF	45pF	1200pF	1400pF	2500pF	3300pF
D100	1.00	.500	44pF	53pF	1400pF	1700pF	2900pF	3900pF
D120	1.20	.500	58pF	71pF	1800pF	2200pF	3900pF	5200pF

### 15K VDC

D30	.30	.250	1.6pF	1.9pF	50pF	60pF	100pF	140pF
D40	.40	.250	4.0pF	4.9pF	130pF	150pF	270pF	360pF
D50	.50	.375	7.1pF	8.7pF	220pF	270pF	480pF	640pF
D75	.75	.375	16pF	20pF	500pF	610pF	1100pF	1400pF
D90	.90	.500	25pF	30pF	770pF	940pF	1600pF	2200pF
D100	1.00	.500	29pF	36pF	910pF	1100pF	1900pF	2600pF
D120	1.20	.500	39pF	47pF	1200pF	1500pF	2600pF	3500pF

### 20K VDC

D30	.30	.250	1.2pF	1.4pF	37pF	45pF	80pF	110pF
D40	.40	.250	3.0pF	3.7pF	100pF	120pF	200pF	270pF
D50	.50	.375	5.3pF	6.5pF	170pF	200pF	360pF	480pF
D75	.75	.375	12pF	15pF	380pF	460pF	800pF	1100pF
D90	.90	.500	18pF	22pF	580pF	700pF	1200pF	1600pF
D100	1.00	.500	22pF	27pF	680pF	830pF	1500pF	2000pF
D120	1.20	.500	29pF	35pF	910pF	1100pF	1900pF	2600pF

### 30K, 40K & 50K VDC

Disc Style	D Max.	S ±.030	30kVDC		40kVDC		50kVDC	
			X7R		X7R		X7R	
			Min.	Max.	Min.	Max.	Min.	Max.
D30	.30	.250	20pF	30pF	18pF	22pF	10pF	20pF
D40	.40	.250	60pF	80pF	50pF	60pF	40pF	50pF
D50	.50	.375	110pF	140pF	80pF	100pF	70pF	80pF
D75	.75	.375	250pF	310pF	190pF	230pF	150pF	180pF
D90	.90	.500	380pF	470pF	290pF	350pF	230pF	280pF
D100	1.00	.500	460pF	560pF	340pF	420pF	270pF	330pF
D120	1.20	.500	600pF	740pF	450pF	550pF	360pF	440pF



**World Sales Headquarters**

KEMET Electronics Corporation  
P.O. Box 5928  
Greenville, SC 29606  
Phone: 864-963-6300

**Europe**

KEMET Electronics S.A.  
15bis chemin des Mines  
1202 Geneva, Switzerland  
Phone: 41-22-715-0100

**Asia**

KEMET Electronics Marketing PTE Ltd.  
73 Bukit Timah Road  
#05-01 Rex House  
Singapore, 229832, Singapore  
Phone: 65-6586-1900

KEMET Electronics Asia Ltd.  
30 Canton Road, Room 1512  
SilverCord Tower II  
Tsimshatshui, Kowloon  
Hong Kong  
Phone: 852-2305-1168

## X-ON Electronics

Largest Supplier of Electrical and Electronic Components

*Click to view similar products for [Multilayer Ceramic Capacitors MLCC - Leaded](#) category:*

*Click to view products by [KEMET](#) manufacturer:*

Other Similar products are found below :

[010-007220-002REV A](#) [M39014/01-1210V](#) [M39014/01-1281V](#) [M39014/01-1335V](#) [M39014/01-1571V](#) [M39014/01-1578V](#) [M39014/01-1593](#)  
[M39014/02-1265V](#) [M39014/02-1347](#) [M39014/02-1350](#) [M39014/02-1356VTR1](#) [M39014/22-0167](#) [M39014/22-0734](#) [87043-49](#) [Q52-DK](#)  
[AR215F103K4RTR2-3323](#) [C0603C309C5GACTU-CUT-TAPE](#) [C410C221K1G5TATR](#) [C420C102J1G5TATR](#) [C430C104M1U5TATR](#)  
[SL155C222MAB](#) [FK26X7R2E104KN006](#) [CCR06CG183GRV](#) [CFB1/2C101J](#) [CFB1/2C102J](#) [CN20C102K](#) [M39014/01-1317](#) [M39014/01-](#)  
[1572V](#) [M39014/01-1594V](#) [M39014/02-1236](#) [M39014/02-1321V](#) [M39014/02-1345V](#) [M39014/22-0351](#) [M39014/22-0695](#) [M39014/220767](#)  
[M39014/220788](#) [M39014/22-1005](#) [MA405E334MAA](#) [MD015A103KAB](#) [SL301E105MAB](#) [CCR05CG242FRV](#) [KTD101B684M32A0B00](#)  
[CCR07CG473KR](#) [CCR05CG820JP](#) [TKC-TMC1206-05-1501-J??](#) [TKC-TMC1206-05-1801-J](#) [TKC-TMC1206-05-20R0-F](#) [TKC-](#)  
[TMC1206-05-3901-J](#) [TKC-TMC1206-05-44R2-F](#) [TKC-TMC1206-05-4703-J??](#)