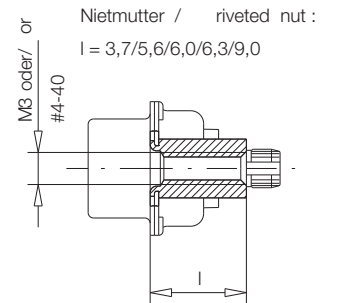
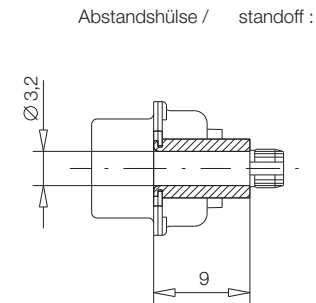
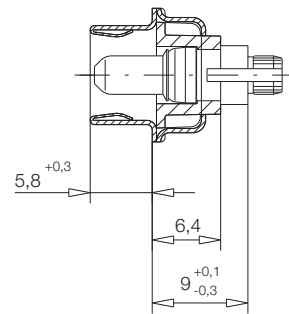
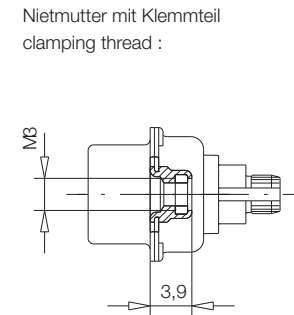
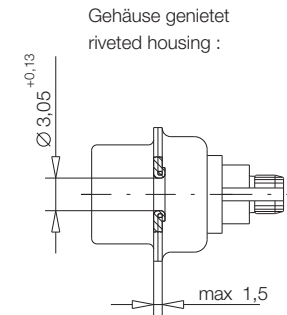
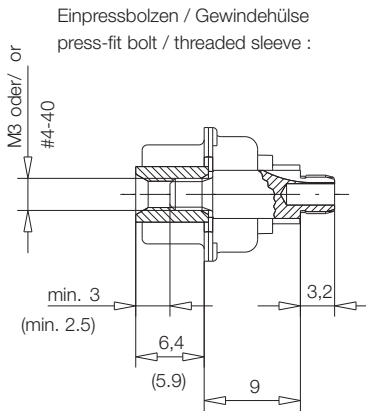
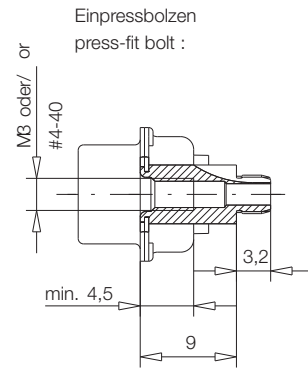
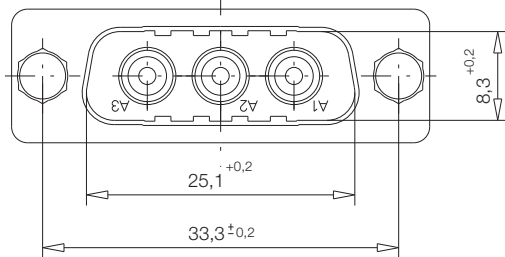
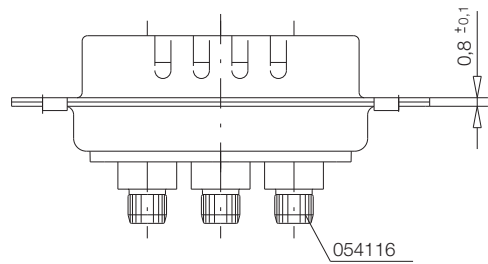
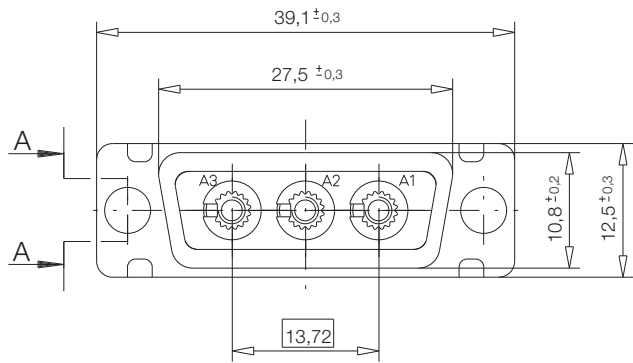


Schnitt A-A / cross section A-A



Ident-Nr. / Part No. : Refer to table on page 2

Polzahl / No. of contacts : Refer to table on page 2

Anschlußart / Terminal Type : Pressfit, Pressfit zone 3.6 mm

Anschlußlänge / Terminal Length : 3.2 mm

Bauart / Type : 3W3

Anforderungsstufe / Class : 201=0.8µm (30 µin) Au CONTACT, GOLD/LEAD TERMINAL

Aufdruck / Logo : ERNI

Zubehör / Accessory : Refer to table on page 2

Sonderausführung / Special : Refer to table on page 2

Schichtaufbau im metallisierten Loch / metal plating of plated-through hole
für Einpresskontakt Zeichnung 114110 / for press-fit contact drawing 114110
für Einpressbolzen Zeichnung 114109 / for press-fit bolt drawing 114109

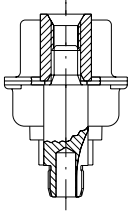
Information:	Tolerances		Scale	2:1
	All Dimensions in mm			
All rights reserved. Only for information. To insure that this is the latest version of this drawing, please contact one of the ERNI companies before using.	Subject to modification without prior notice. Drawing will not be updated.	Designation		
		TMC-P 3W3-EP-9.0-3 TMC-P 3W3-EP-9.0-3		
	www.ERNI.com	054879		1
d	07.06.1999	M:00021149.SZN		TMCP

Consider protection memo from DIN 54



Accessory Termination Side: Pressfit bolt #4-40

063625



Accessory Mating Side: Threaded sleeve M3 Accessory Termination Side: Pressfit bolt

064460

Accessory Mating Side: Threaded sleeve #4-40 Accessory Termination Side: Pressfit bolt

063784

Ordering Information press-in tools

Number of Pins	Upper Tool with quick change Device	Lower Tool
3W3	220058	220147

X-ON Electronics

Largest Supplier of Electrical and Electronic Components

Click to view similar products for [D-Sub Standard Connectors](#) category:

Click to view products by [ERNI](#) manufacturer:

Other Similar products are found below :

[DCM37S732N](#) [DAM15P500](#) [DEV09S364GTLF](#) [DEM09P032N](#) [DDM50P732N](#) [DAM15S332N](#) [173109-2218](#) [173109-2466](#) [173109-2436](#)
[173109-2435](#) [56F706-005-LI](#) [56F711-015](#) [015-0341-000](#) [015-0372-008](#) [015-8544-011](#) [017041-0005](#) [020419-0104](#) [012-0515-000](#) [012-9507-](#)
[034](#) [012-9507-114](#) [012-9534-001](#) [020745-0008](#) [609-25P](#) [M24308/2-23Z](#) [M243082310F](#) [M243082410F](#) [M243082411F](#) [M24308/4-21](#)
[CT1A18-11PSA206](#) [CT1N36-5SC](#) [CT2-16S-17PS](#) [CT2-20-15PCAU](#) [CT2-24-12PS](#) [CT2-24-28PSF127A206](#) [CT2-32-9PC](#) [CT6F9767-14-4-](#)
[14S-5PC](#) [CT6FA10SL-4PS](#) [CT7-18-10SC](#) [CT7-18-10SCAU](#) [CT7-18-12SCAU](#) [CT7-18-1PC](#) [CT7-18-1PCAU](#) [CT7-18-21SCAU](#) [M83513/01-](#)
[FC](#) [M83723/76W24619 L/C](#) [M85049/48-3-2F](#) [69001-865](#) [6STD09PCM99B70X](#) [6STD09SCM99B30X](#) [6STD09SCT99S40X](#)