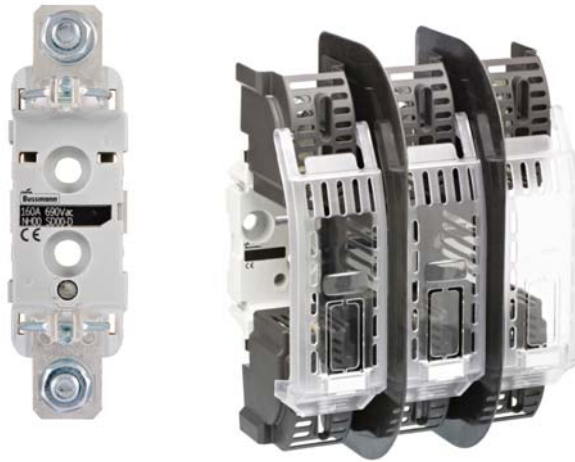


Bussmann series NH bases



Product description

Eaton's Bussmann series NH bases range has been designed with thermoplastic bodies DIN-Rail and/or screw mounting (size 4 screw mounting only).

This range comes with a accessories including phase barriers: IP20 finger safe protection kits and neutral links.

Microswitch also available for remote signaling of fuse link operation.

Standard features

- Complies with IEC 60269-1 and 2 fuse system A (NH base), manufacturers type test certificates of compliance available.
- 3-pole integral NH00 base available with reduced width
- Clip-in phase barriers, terminal shrouds and fuse covers available
- Vibration tested to IEC 60068-2-6 for marine use

Catalogue symbol

- 1-pole DIN-Rail and screw mounting: SD(size)-D
- 1-pole screw mounting only: SD(size)-S
- 3-pole DIN-Rail and screw mounting: TD(size)-D

Technical data

- Rated voltage: 690 V a.c.
- Rated current: 160 to 1600 A
- Rated for fuse links with breaking capacity of 120 kA

Standard/Approvals

- IEC 60269-1 and 2
- VDE 0636-1 and 2

Packaging

- 1-pole: 3
- 3-pole and SD4: 1

Technical data

Fuse base catalogue numbers		SD00-D TD00-D TD00-DI	SD1-D TD1-D	SD2-D TD2-D	SD3-D TD3-D	SD4-S	SD4-S1600
Base		Glass filled PBT					
Contacts		Silver plated copper					
Screw, nuts and washers		Zinc clear plated steel					
Derating temperature factors for maximum current	≤ 35°C	1	1	1	1	1	1
	40°C	0.95	0.95	0.95	0.95	0.95	0.95
	50°C	0.85	0.85	0.85	0.85	0.85	0.85
Maximum power acceptance		12W	32W	45W	60W	110W	145W
Degree of protection with covers fitted		IP20	IP20	IP20	IP20	-	-
Terminal screw		M8	M10	M10	M12	M16	M16
Maximum tightening torque terminal screw		10N•m	32N•m	32N•m	32N•m	56N•m	56N•m
Fixing	DIN-Rail	✓	✓	✓	✓	✗	✗
	Screw	✓	✓	✓	✓	✓	✓
With microswitch 16A/250V	Fuse operated signal	✓	✓	✓	✓	✗	✗
Operating temperature range		-20 to 70°C					
Storage temperature range		-40 to 80°C					

Catalogue numbers

Size	Poles	Current (Amps)	DIN-Rail and screw mounting	Screw mounting only	Pack quantity	Compatible fuse links size
00	1-pole	160	SD00-D	SD00-S	3	400/500/690 V NH gG and aM fuse links
	3-pole	160	TD00-D	N/A	1	
		160	TD00-D1*	N/A	1	
1	1-pole	250	SD1-D	SD1-S	3	
	3-pole	250	TD1-D	N/A	1	
2	1-pole	400	SD2-D	SD2-S	3	
		400	SD2-DD**	N/A	3	
	3-pole	400	TD2-D	N/A	1	
		400	TD2-DD**	N/A	1	
3	1-pole	630	SD3-D**	SD3-S	3	
	3-pole	630	TD3-D**	N/A	1	
4	1-pole	1250	N/A	SD4-S	1	
		1600	N/A	SD4-S1600	1	

* 3-pole integral base moulding.

** Double fuse contact clips.

Solid links catalogue numbers

Size	Current (Amps)	Catalogue numbers	Pack quantity
NH00	160	SDL-00	3
NH1	250	SDL-1	3
NH2	400	SDL-2	3
NH3	630	SDL-3	3



Solid link

Accessories

Fuse extraction handle

Size	Current (Amps)	Catalogue numbers	Pack quantity
NH00-3	160 - 630	FEH	1



Fuse extraction handle

Shroud kits

Fuse base range	Fuse size	Current (Amps)	Catalogue numbers	Description
SD1	NH1	250	SD12-SK	Kit includes 2 shrouds and 1 fuse cover
SD2	NH2	400	SD12-SK	
SD3	NH3	630	SD3-SK	



Shroud kit

Accessories

Phase barrier kit

Size	Current (Amps)	Catalogue numbers	Pack quantity	Description
NH00	160	SD00-PB	1	2-Phase barriers
NH1	250	SD12-PB	1	2-Phase barriers and 2 ganging links
NH2	400	SD12-PB	1	
NH3	630	SD3-PB	1	



Phase barrier



Ganging link

IP Protection Kits

Size	Current (Amps)	Catalogue numbers	Fuse cover	Shroud	Phase barrier	Ganging link	Integral kit	Description
NH00	160	TD00-IP20	3	6	2			Triple pole protection kit for TD00-D with shrouds, fuse covers and phase barriers
		TD00-IP20I					1	Integral triple pole protection kit for TD00-DI with molded shrouds and phase barriers
		TD00-IP20IC	3				1	Integral triple pole protection kit for TD00-DI with fuse covers and molded shrouds and phase barriers
NH1	250	TD1-IP20	3	6	2	2		Triple pole protection kit with terminal shrouds, fuse cover phase barriers and ganging links
NH2	400	TD2-IP20						
NH3	630	TD3-IP20						



TD00-IP20



TD00-IP20I



TD00-IP20IC



TD(size 1 to 3)-IP20

Microswitch

Catalogue numbers	Pack quantity	Ratings
BVL50	1	6 A 250 V a.c.
170H0236	12	2 A 250 V a.c.
170H0238	12	2A 250 V a.c.



BVL50



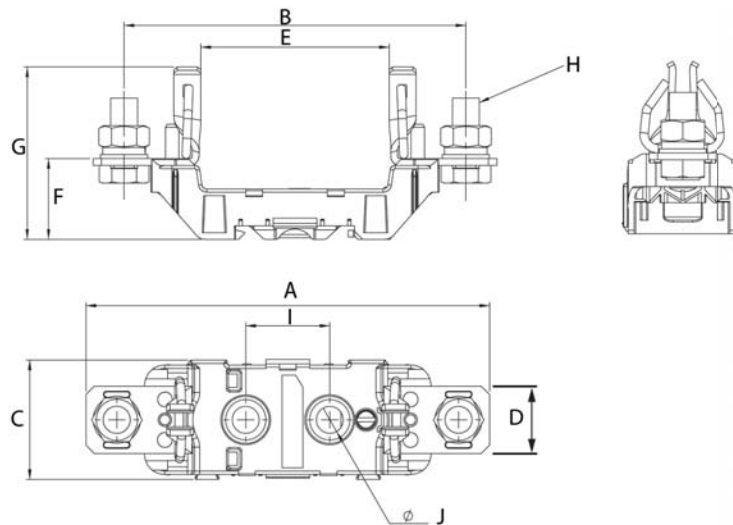
170H0236

Microswitch suitable for the following NH fuse links:

- 400 Volts gG/gL
- 500 Volts gG/gL and aM
- 690 Volts gG/gL and aM.

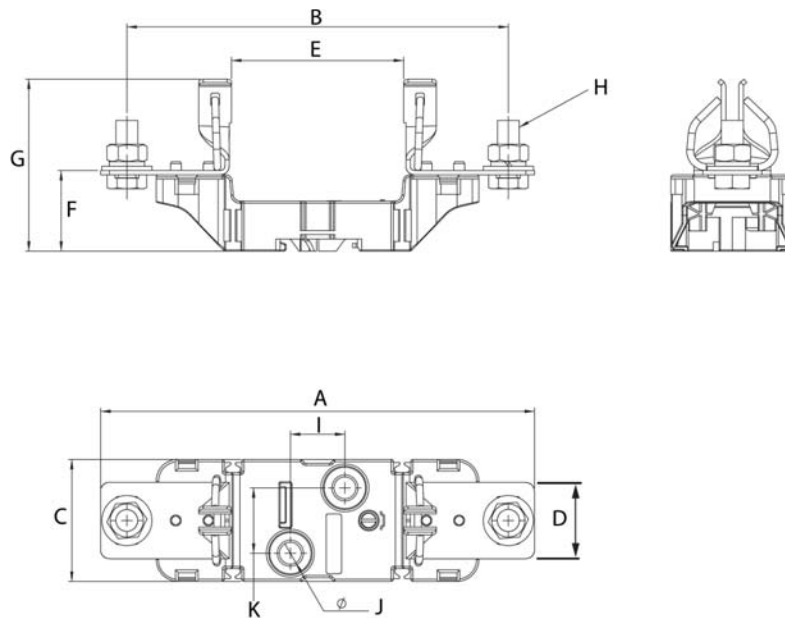
Note: Microswitches fit onto the fuse gripping lugs and are applicable to all NH size Bussmann fuses.

Dimensions (mm) 1-pole, size 00



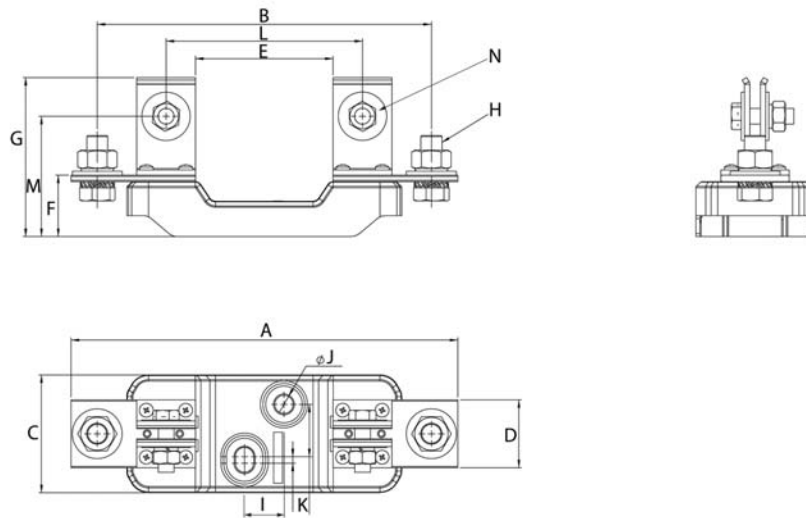
Size	Pole	A	B	C	D	E	F	G	H	I	J
NH00	1-pole	120	102	35.5	20	56	24	51	M8x20	25	8

Dimensions (mm) 1-pole, sizes 1, 2 and 3



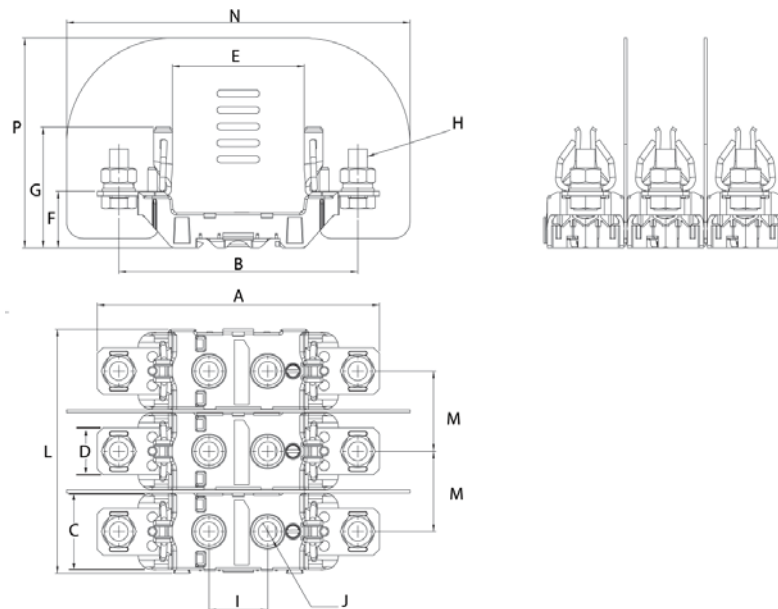
Size	Poles/Type	A	B	C	D	E	F	G	H	I	J	K
NH1	1-pole	199	175	56	35	79	37	78	M10x25	25	10	30
NH2	1 pole	224	199	56	35	79	37.5	86	M10x25	25	10	30
	1-pole double clip	223	199	56	35	82	37	79	M10x25	25	10	30
NH3	1-pole	239	209	56	36	82	37.5	88	M12x30	25	10	30

Dimensions (mm) 1-pole, size 4



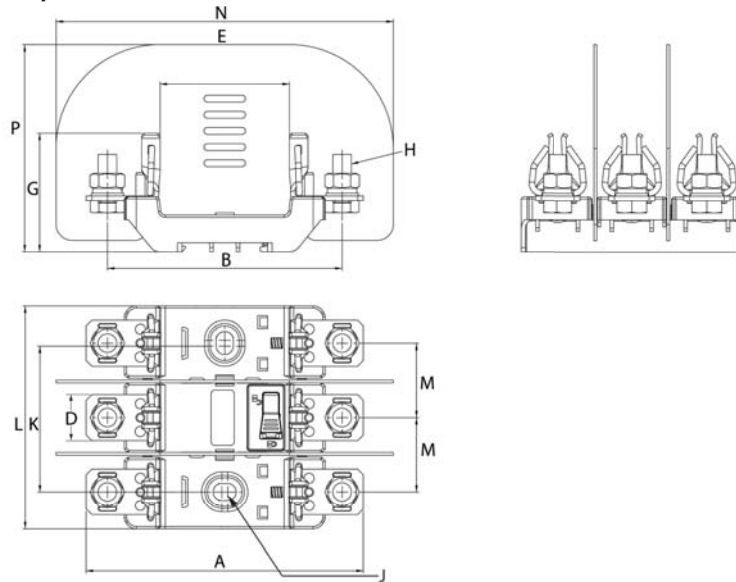
Size	Poles/Type	A	B	C	D	E	F	G	H	I	J	K	L	M	N
NH4	1-pole 1250A	295	255	90	52	105	47	122	M16x40	30	14	40	150	92	M12x40
	1-pole 1600A	295	255	90	60	105	50	125	M16x40	30	14	40	150	92	M12x40

Dimensions (mm) 3-pole, size 00



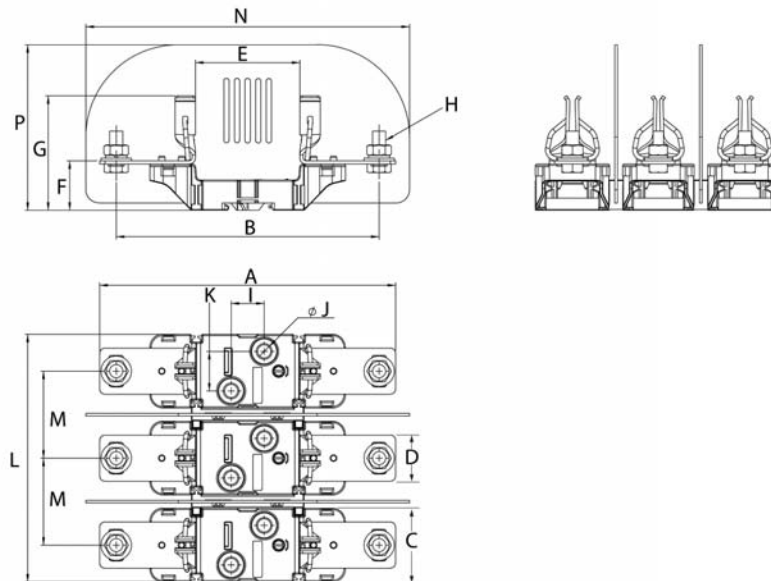
Size	Poles/Type	A	B	C	D	E	F	G	H	I	J	K	L	M	N	P
NH00	3-pole	120	102	35.5	20	56	24	51	M8x20	25	8	-	103.5	34	146	89

Dimensions (mm) integral 3-pole, size 00



Size	Poles/Type	A	B	C	D	E	F	G	H	I	J	K	L	M	N	P
NH00	3-pole Integral	120	102	-	20	56	24	51	M8x20	-	7.5x10	63.5	97	32.3	146	90

Dimensions (mm) 3-pole, sizes 1, 2 and 3



Size	Poles/Type	A	B	C	D	E	F	G	H	I	J	K	L	M	N	P
NH1	3-pole	199	175	56	35	79	37	78	M10x25	25	10	30	188	66	245	125.5
NH2	3-pole	224	199	56	35	79	37.5	86	M10x25	25	10	30	188	66	245	125.5
	3-pole double clip	223	199	56	35	82	37	79	M10x25	25	10	30	188	66	245	125.5
NH3	3-pole	239	209	56	36	82	37.5	88	M12x30	25	10	30	221	82.5	260	137.5

Changes to the products, to the information contained in this document, and to prices are reserved; so are errors and omissions. Only order confirmations and technical documentation by Eaton is binding. Photos and pictures also do not warrant a specific layout or functionality. Their use in whatever form is subject to prior approval by Eaton. The same applies to Trademarks (especially Eaton, Moeller, and Cutler-Hammer). The Terms and Conditions of Eaton apply, as referenced on Eaton Internet pages and Eaton order confirmations.

Eaton
EMEA Headquarters
Route de la Longeraie 7
1110 Morges, Switzerland
Eaton.eu

© 2015 Eaton
All Rights Reserved
Publication No. 10163
March 2015

X-ON Electronics

Largest Supplier of Electrical and Electronic Components

Click to view similar products for [Relay Sockets & Fixings](#) category:

Click to view products by [Eaton](#) manufacturer:

Other Similar products are found below :

[M41G](#) [7-1616360-5](#) [8000-DG2-5](#) [GDA12HA](#) [GDA12HD](#) [GDA12SA](#) [GDA12SD](#) [GDA16HD](#) [GDA22HA](#) [GDA95A](#) [GDA95D](#) [GFX20](#)
[GUA1](#) [GUA2-11](#) [GUA2-20](#) [GUA4-04](#) [GUA4-31](#) [GUM5R](#) [GUR-120](#) [GUR-24](#) [GUR-240](#) [GUR-277](#) [GURX-277](#) [GUW12](#) [GUW95](#)
[GUZ32S](#) [GUZ63L](#) [GUZ95L](#) [AS-11](#) [AX-4MS-40](#) [1611434-8](#) [2-1608090-3](#) [PB-16](#) [SM2S-61](#) [SQ9Z-C](#) [SYSWINSMP](#) [AR-12MW](#)
[GDA16HA](#) [GDA16SA](#) [GDA16SD](#) [GDA22HD](#) [GDA22SA](#) [GDA22SD](#) [GDA32HA](#) [GDA32HD](#) [GDA32SA](#) [GDA32SD](#) [GDA63A](#) [GDA63D](#)
[GFX02](#)