

PLEASE CHECK WWW.MOLEX.COM FOR LATEST PART INFORMATION

Part Number: **0758886000**

Status: **Active**

Overview: VHDM® Backplane Connector Systems

Description: 2.00mm Pitch VHDM® Board-to-Board Backplane Receptacle Power Module, Vertical, 6-Row, 2 Circuits, Gold (Au) Selective 0.76µm Lead-Free

Documents:

[3D Model](#)

[Drawing \(PDF\)](#)

[Product Specification PS-74031-999 \(PDF\)](#)

[RoHS Certificate of Compliance \(PDF\)](#)

General

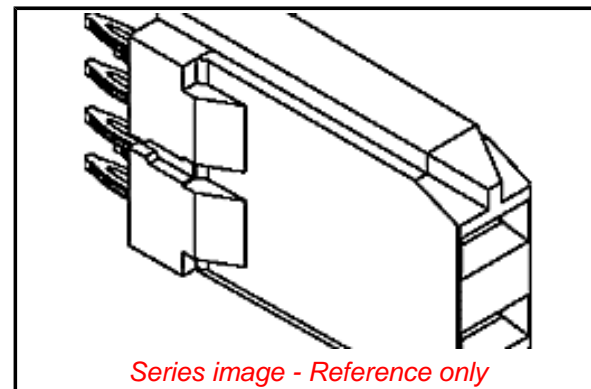
Product Family	Backplane Connectors
Series	75888
Application	Backplane
Application Tooling Documents	TM-622010999
Comments	Backplane Receptacle Module, Power
Component Type	Power Receptacle
Overview	<u>VHDM® Backplane Connector Systems</u>
Product Name	VHDM®
UPC	822350147682

Physical

Circuits (Loaded)	2
Circuits (maximum)	2
Color - Resin	Black
Durability (mating cycles max)	200
First Mate / Last Break	No
Guide to Mating Part	No
Keying to Mating Part	None
Material - Metal	High Performance Alloy (HPA)
Material - Plating Mating	Gold
Material - Plating Termination	Tin
Material - Resin	High Temperature Thermoplastic
Net Weight	1.060/g
Number of Columns	N/A
Number of Pairs	Open Pin Field
Number of Rows	6
Orientation	Vertical
PC Tail Length	2.80mm
PCB Locator	No
PCB Retention	None
PCB Thickness - Recommended	1.80mm
Packaging Type	Tube
Pitch - Mating Interface	6.00mm
Pitch - Termination Interface	2.00mm
Plating min - Mating	0.762µm
Plating min - Termination	0.381µm
Polarized to PCB	Yes
Stackable	No
Surface Mount Compatible (SMC)	Yes
Temperature Range - Operating	-55°C to +105°C
Termination Interface: Style	Through Hole - Compliant Pin

Electrical

Current - Maximum per Contact	10.0A
Data Rate	2.5 Gbps
Real Signals (per 25mm)	72



Series image - Reference only

EU ELV

Not Relevant

EU RoHS

Compliant

China RoHS

REACH SVHC

No -ED/108/2014 (17 Dec 2014)

Halogen-Free

Status

Low-Halogen

Need more information on product environmental compliance?

Email productcompliance@molex.com
Please visit the [Contact Us](#) section for any non-product compliance questions.

China ROHS

ELV

Green Image

Not Relevant

Search Parts in this Series

75888 Series

Mates With

74026 VHDM® Board-to-Board Daughtercard Receptacle

Shielded	No
Voltage - Maximum	120V AC (RMS)/DC

Solder Process Data

Lead-free Process Capability	N/A
------------------------------	-----

Material Info

Reference - Drawing Numbers

Product Specification	PS-74031-999
-----------------------	--------------

Sales Drawing	SD-75888-006
---------------	--------------

Note: HDM, HDM+, VHDM, VHDM-HSD and GbX are trademarks or registered trademarks of Amphenol TCS.

This document was generated on 12/11/2015

PLEASE CHECK WWW.MOLEX.COM FOR LATEST PART INFORMATION

X-ON Electronics

Largest Supplier of Electrical and Electronic Components

Click to view similar products for [Heavy Duty Power Connectors](#) category:

Click to view products by [Molex](#) manufacturer:

Other Similar products are found below :

[1424439](#) [1424438](#) [09330062652](#) [2-8675P1](#) [580129-2](#) [605601-1](#) [6340G1](#) [6341G1](#) [6360G1](#) [6373G1](#) [6374g2](#) [6396G1](#) [647757-1](#) [66394-4](#)
[6643411-1](#) [6646058-2](#) [6646137-1](#) [6646138-1](#) [6646348-1](#) [6646479-1](#) [6646608-1](#) [6646786-1](#) [6646940-1](#) [6651091-1](#) [6651525-1](#) [6651529-1](#)
[6651778-1](#) [6651788-1](#) [696465-1](#) [696475-1](#) [73000005059](#) [73000005349](#) [73000005642](#) [73080255059](#) [73080965046](#) [765-15-0080A](#)
[765-16-0080B](#) [789.700-44](#) [789.700-54](#) [80-1010](#) [80-9](#) [827381-1](#) [829992-1](#) [902-77-02113](#) [PL00U-301-10D10](#) [PM103MOOLOO](#)
[PM16S1620S32-50](#) [PM212MOOLOO](#) [PM309FOOLOO](#) [PM324FOOLCH](#)