

**PLEASE CHECK WWW.MOLEX.COM FOR LATEST PART INFORMATION**

**Part Number:** [0782291003](#)  
**Status:** **Active**  
**Overview:** [GbX I-Trac Backplane Connector System](#)  
**Description:** GbX I-Trac Right-Angle Header with Left Hold Down, Power Module, 2 Blades, 40 Amps, Lead-Free

**Documents:**

[3D Model](#) [Application Specification AS-78231-007-001 \(PDF\)](#)  
[Drawing \(PDF\)](#) [RoHS Certificate of Compliance \(PDF\)](#)  
[Product Specification PS-78231-006-001 \(PDF\)](#)

**Agency Certification**

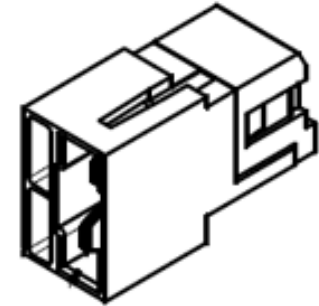
CSA LR19980  
 UL E29179

**General**

Product Family Backplane Connectors  
 Series [78229](#)  
 Application Daughtercard  
 Component Type Power Header  
 Overview [GbX I-Trac Backplane Connector System](#)  
 Product Name GbX I-Trac  
 UPC 883906030087

**Physical**

Circuits (Loaded) 2  
 Circuits (maximum) 2  
 Circuits Detail 40 Amps (20/Split Blade). Power Module 1 Blade  
 Length P1, 6.77mm; P2, 9.77mm  
 Color - Resin Black  
 Durability (mating cycles max) 100  
 First Mate / Last Break Yes  
 Flammability 94V-0  
 Guide to Mating Part No  
 Keying to Mating Part None  
 Material - Metal High Performance Alloy (HPA)  
 Material - Plating Mating Gold  
 Material - Plating Termination Tin  
 Material - Resin High Temperature Thermoplastic  
 Net Weight 5.791/g  
 Number of Columns 1  
 Number of Pairs 4  
 Number of Rows 2  
 Orientation Right Angle  
 PC Tail Length 2.41mm  
 PCB Locator Yes  
 PCB Retention Yes  
 PCB Thickness - Recommended 1.60mm  
 Packaging Type Tray  
 Pitch - Mating Interface 2.00mm, 7.40mm  
 Pitch - Termination Interface 2.00mm, 7.40mm  
 Polarized to PCB Yes  
 Stackable No  
 Surface Mount Compatible (SMC) Yes  
 Temperature Range - Operating -20° to +85°C  
 Termination Interface: Style Through Hole - Compliant Pin



Series image - Reference only

**EU ELV**

**Not Relevant**

**EU RoHS**

**Compliant**

**REACH SVHC**

Not Contained Per -  
 ED/61/2018 (27 June  
 2018)

**Halogen-Free**

**Status**

**Low-Halogen**

For more information, please visit [Contact US](#)

China ROHS

ELV

RoHS Phthalates

**China RoHS**

Green Image

Not Relevant

Not Contained

**Search Parts in this Series**

[78229](#) Series

**Mates With**

[78227](#) GbX I-Trac Vertical Receptacle,  
 Power Module. [78230](#) GbX I-Trac Power  
 Receptacle

**Use With**

[76020](#) GbX I-Trac Right Angle, 7 Row  
 Receptacle Module

**Application Tooling | FAQ**

*Tooling specifications and manuals are found by selecting the products below. Crimp Height Specifications are then contained in the Application Tooling Specification document.*

**Global**

**Description**

**Product #**

Press-in Tool for [0622018627](#)  
 Right-Angle Power  
 Receptacle and  
 Header for 7-Row

**Electrical**

Current - Maximum per Contact	40.0A
Data Rate	12.0 Gbps
Shield Type	N/A
Shielded	No
Voltage - Maximum	250V DC

**Solder Process Data**

Lead-freeProcess Capability	N/A
-----------------------------	-----

**Material Info****Reference - Drawing Numbers**

Application Specification	AS-78231-007-001
Product Specification	PS-78231-006-001
Sales Drawing	SD-78229-003

This document was generated on 10/08/2018

**PLEASE CHECK [WWW.MOLEX.COM](http://WWW.MOLEX.COM) FOR LATEST PART INFORMATION**

## **X-ON Electronics**

Largest Supplier of Electrical and Electronic Components

*Click to view similar products for [molex manufacturer](#):*

Other Similar products are found below :

[60506-C-50](#) [73108](#) [72903](#) [1062837003](#) [0533241060](#) [68301-1017](#) [71506-C](#) [880504](#) [387790039](#) [53254-0710](#) [85071-0017](#) [387204903](#)  
[783472003](#) [514412093](#) [0026482195](#) [0191310031](#) [503308-4410](#) [02-09-6102](#) [0008650814](#) [791099208](#) [0039000218](#) [89762-1403](#) [89762-1542](#)  
[89762-1582](#) [0011404526](#) [00136](#) [0022173102](#) [0026615060](#) [CR4006A30M003](#) [0039532085](#) [58098-0628](#) [0003092041](#) [0008520123](#)  
[0011030025](#) [0011184017](#) [0022162060](#) [0022552102](#) [01312](#) [M15730061](#) [61432](#) [6150300002](#) [CS63W64](#) [CS8264N](#) [CS8365N](#) [CS8369](#)  
[62201-8780](#) [62500-1774](#) [M37730026](#) [63103-50](#) [63443-2215](#)