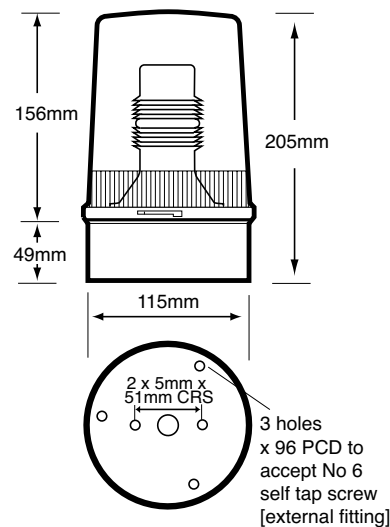


# Visual Signals FLASHING FILAMENT

## BEACONS



## Industrial Flashing Filament Beacons > FF201/200 Series

### Product overview

The FF201/200 Series operates through an internal circuit which simply cycles the lamp On and Off. These type of beacons generally give a much lower light output as it takes longer for the lamp to fully illuminate itself. These units are available with either a

filament or tungsten halogen lamp. The light output can be improved by the use of a Dioptic (Fresnel) or Reeded lens which is placed over the lamp capturing the light emitted, magnifying and directing it to increase the brightness of the visual signal. In terms of light coverage, this type of beacon is more efficient as it illuminates the whole surface of the beacon constantly through 360 degrees.

### FEATURES

- Easy to clean external lens
- Suitable for use with conduit BESA box
- Continuously rated
- Suitable for surface or wall mounting
- Optional wall bracket & protective guard available - see accessory page
- 360° visibility
- IP65

### MATERIAL

- UV Stable Polycarbonate Lens
- UV Stable ABS Plastic Base

Code No:	Voltage:	Light Source:	Current:
FF201-84	12v Dc ---	Ba15d x 21w	1.75 A
FF201-85	24v Dc ---	Ba15d x 21w	0.88 A
FF201-88	12v Dc ---	H1 x 55w	4.70 A
FF201-89	24v Dc ---	H1 x 70w	3.00 A
FF200-86	115v Ac ~	Ba15d x 15w	0.13 A
FF200-87	230v Ac ~	Ba15d x 15w	0.07 A



**Kg** 0.70

50/60 **Hz**

°C -25+66

**IP** 65

**FPM** 60

**INDUSTRIAL**

APPROVAL AND CONFORMITIES



ADD THE FOLLOWING LENS CODES TO THE PRODUCT CODE WHEN ORDERING

**01 02 03 04 05**

## X-ON Electronics

Largest Supplier of Electrical and Electronic Components

*Click to view similar products for [Audio Indicators & Alerts](#) category:*

*Click to view products by [Moflash Signalling](#) manufacturer:*

Other Similar products are found below :

[M2BJ-BH24E](#) [6-4](#) [68S1240-PA](#) [MBA-624](#) [F/BC 40P-DR LF](#) [FDG111PLF](#) [F/NRMB 24 BLACK LF](#) [PF-35N29WQ](#) [PFD-27A35PQ](#) [PL-27A35PSQ](#) [PS-531Q](#) [AB2020B-2-LW1](#) [EBPT-401](#) [PB06SD12AP](#) [PB-1220PEQ](#) [S6109](#) [SC2036ACP](#) [SC616N-2](#) [SC628FW](#) [SC628MPG](#) [SC648D](#) [SCS045MD9DT3S](#) [AB2025B-LW50-R](#) [ESZ-25B-5-250B](#) [F/BC 35-DR LF](#) [FCM12PLF](#) [F/EB20P-DR LF](#) [F/HU110MP24V-IP67B LF](#) [AI-2835-TF-LW150-2-R](#) [AI-4228-TF-LW305-R](#) [FSMD8585JSLF](#) [FSS-26T](#) [F/SU 21-02 LF](#) [F/TCW 05 WITH LABEL LF](#) [F/UCW 03 WITH LABEL LF](#) [F/UCW 06 WITH LABEL LF](#) [PKM22EPPH40S1-B0](#) [PKM35-4A0](#) [PL-35N29WQ](#) [PLD-27A35PQ](#) [PS-552Q](#) [CM-5](#) [M2BJ-BH24E-D](#) [REF-202](#) [LSC628ANR](#) [5-100](#) [PAL-328](#) [03-810.001](#) [RTO-1R07-001](#) [PL-21N31PQ](#) [PF-27A25PSQ](#)