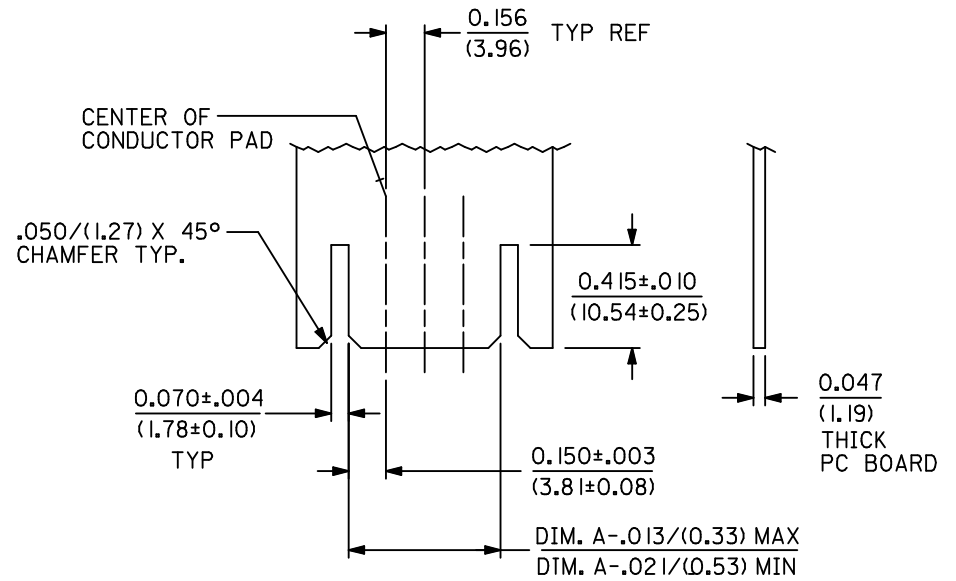
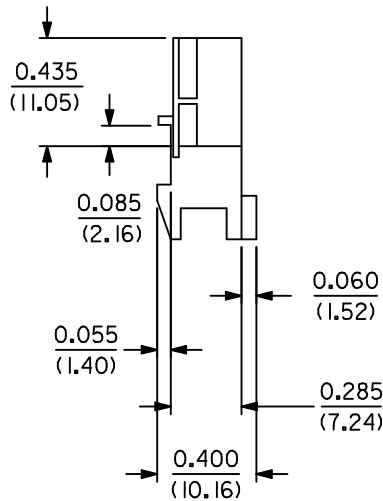
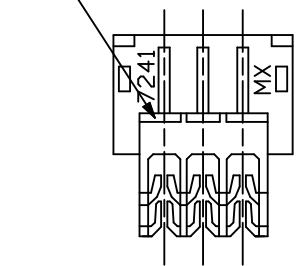


NOTES:

1. MATERIAL: HOUSING - 6/6 NYLON, UL94V-2
TERMINALS - BRASS
2. FINISH: SEE CHART ON SHEET 2
3. PRODUCT SPECIFICATION: PS-7241
4. PARTS ARE BULK PACKAGED.
5. WARPAGE OVER ENTIRE LENGTH NOT TO EXCEED .015/(0.38).
6. CHAIN CUT-OFF (TYP. BOTH ENDS)
WO/FLANGE - FLUSH TO $\pm 0.15/(0.38)$ FROM DATUM C.
7. THIS PART CONFORMS TO CLASS B REQUIREMENTS OF COSMETIC SPECIFICATION PS-45499-002.
8. COLOR STRIPE NOT PRESENT ON PARTS WITH BLACK HOUSINGS.

COLOR STRIPE RUNNING LENGTH OF HOUSING
LOCATION APPROXIMATELY AS SHOWN
(SEE CHART ON SHEET 2) SEE NOTE 8



RECOMMENDED PC BOARD

ADD NOTE 8 EC NO: UCP2012-3293 DRWN:MMSTROH 2012/04/03 CHKD:HKIPPER 2012/04/04 APPR:FSMITH 2012/04/05	QUALITY SYMBOLS $\nabla Z=0$ $\nabla E=0$ $\nabla F=0$	GENERAL TOLERANCES (UNLESS SPECIFIED)		DIMENSION STYLE		SCALE	DESIGN UNITS	THIRD ANGLE PROJECTION		
				IN/MM		2:1	INCH			
				DRAWN BY DATE		TITLE		EDGE CONNECTOR, KK .156/ (3.96), INSULATION DISPLACEMENT MOLEX INCORPORATED		
				WRL 1979/02/14		CHECKED BY DATE				
		2 PLACES ± 0.25 $\pm .014$		WRL 1979/02/14		MATERIAL NO.		SHEET NO.		
		1 PLACE ± 0.35 $\pm ---$		APPROVED BY DATE		DOCUMENT NO.		1 OF 2		
		ANGULAR $\pm 1/2^\circ$		DRAFT WHERE APPLICABLE MUST REMAIN WITHIN DIMENSIONS		SEE CHART		SDA-7241-****		
		SIZE B		THIS DRAWING CONTAINS INFORMATION THAT IS PROPRIETARY TO MOLEX INCORPORATED AND SHOULD NOT BE USED WITHOUT WRITTEN PERMISSION						

09-07-2032	A-7241-03LB	3	NONE	7241-3B	BLACK	40591-L(154)	.000100/(0.00254) MIN. TIN OVER .000050/(0.00127) MIN. NICKEL	NONE
09-07-2031	A-7241-03L	3	NONE	7241-3	NATURAL	40591-L(154)	.000100/(0.00254) MIN. TIN OVER .000050/(0.00127) MIN. NICKEL	NONE
PART NUMBER	ENGINEERING NUMBER	CIRCUITS	TERMINAL VOID IN CIRCUIT	HOUSING NUMBER	HOUSING COLOR	TERMINAL NUMBER	TERMINAL PLATING	CENTER RIB LOCATED BETWEEN CIRCUIT

COLOR IDENTIFICATION		TYPE OF WIRE TERMINATED
ASSEMBLY SUFFIX NO.	COLOR	{ALL WIRES HAVE A MAXIMUM INSULATION DIAMETER OF .080/(2.03)}
-*NA*	YELLOW	#18 GA SOLID OR FUSED STRANDED
-*NM*	RED	#20 GA SOLID OR FUSED STRANDED (18 GA. STRANDED WIRE)
-*NL*	BLUE	#20 GA STRANDED WIRE
-*ND*	GREEN	#26 & #27 GA STRANDED, FUSED STRANDED & SOLID WIRE OR #24 GA STRANDED WIRE
-*NJ*	BLACK	#24 & #22 GA SOLID OR FUSED STRANDED (#22 GA STRANDED WIRE)

3	.632±.006/(16.05±0.15)
CIRCUITS	DIM "A"

CHANGE PLATING EC NO: UCP2012-1821 DRAWN:MMSTROH 2011/12/07 CHKD:HKIPPER 2012/01/03 APPR:FSMITH 2012/02/02	QUALITY SYMBOLS	GENERAL TOLERANCES (UNLESS SPECIFIED)	DIMENSION STYLE	SCALE	DESIGN UNITS	THIRD ANGLE PROJECTION
	∇Z=0 ∇E=0 ∇F=0	mm INCH	IN/MM	---	INCH	MOLEX INCORPORATED SDA-7241-****
		4 PLACES ± --- ± ---	DRAWN BY DATE	WRL 1979/02/14		
		3 PLACES ± --- ± ---	CHECKED BY DATE	WRL 1979/02/14		
	2 PLACES ± --- ± ---	APPROVED BY DATE				
	1 PLACE ± --- ± ---					
	ANGULAR ± --- °					
	DRAFT WHERE APPLICABLE MUST REMAIN WITHIN DIMENSIONS	MATERIAL NO.	SEE CHART	DOCUMENT NO.	SHEET NO.	
		SIZE B	THIS DRAWING CONTAINS INFORMATION THAT IS PROPRIETARY TO MOLEX INCORPORATED AND SHOULD NOT BE USED WITHOUT WRITTEN PERMISSION			

X-ON Electronics

Largest Supplier of Electrical and Electronic Components

Click to view similar products for [Standard Card Edge Connectors](#) category:

Click to view products by [Molex](#) manufacturer:

Other Similar products are found below :

[6565204-6](#) [PKC-156](#) [1437274-4](#) [147889-1](#) [1489165-4](#) [EBT156-12B1X](#) [EBT15622B2X](#) [EBT156-22R2W](#) [1-582587-1](#) [1-582589-1](#) [2-6437275-9](#) [284-0102-12100](#) [306022901000000](#) [307-012-502-202](#) [307-024-526-201](#) [307-056-520-300](#) [307-080-526-208](#) [1926088-2](#) [245-062-520-350](#) [287-0032-12101](#) [306-010-500-112](#) [306-028-525-102](#) [306-240-318](#) [307-036-502-202](#) [307-036-521-301](#) [307-072-526-202](#) [345-060-559-303](#) [368-004-520-201](#) [392-008-559-201](#) [534671-1](#) [5-530501-5](#) [341-240-317](#) [345-029-520-300](#) [345-030-500-301](#) [345-044-500-300](#) [345-220-058](#) [346-240-318](#) [357-030-526-201](#) [387-012-523-300](#) [395-044-520-300](#) [395-100-524-300](#) [50-12B-10](#) [50-6SN-5](#) [09-07-2032](#) [10035388-106LF](#) [10035388-802LF](#) [10115859-011LF](#) [10122859-009LF](#) [101269333204245CLF](#) [10127905-B04B24BLF](#)