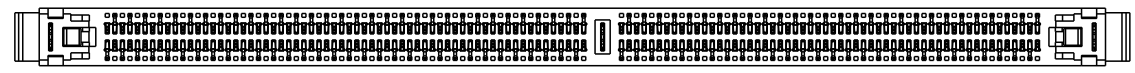
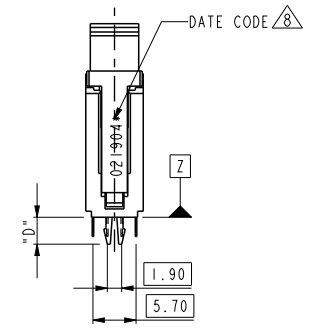
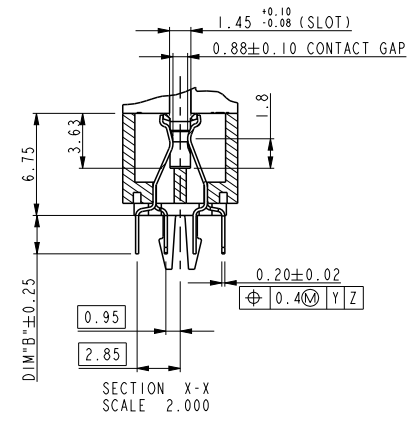
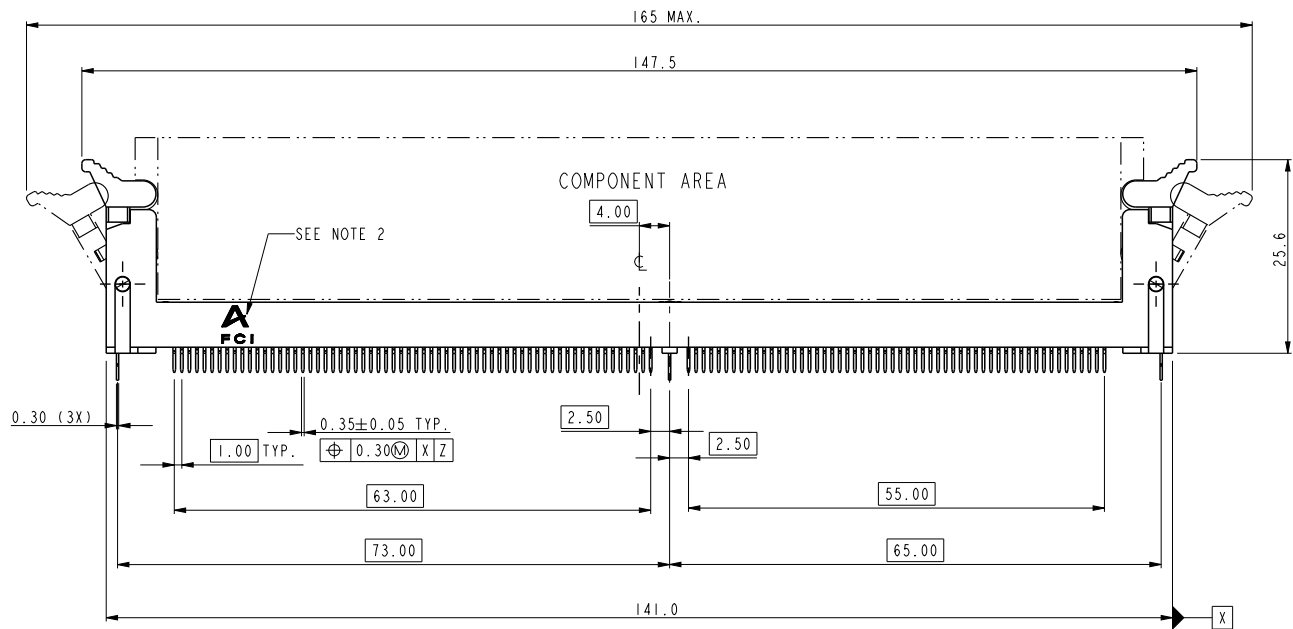
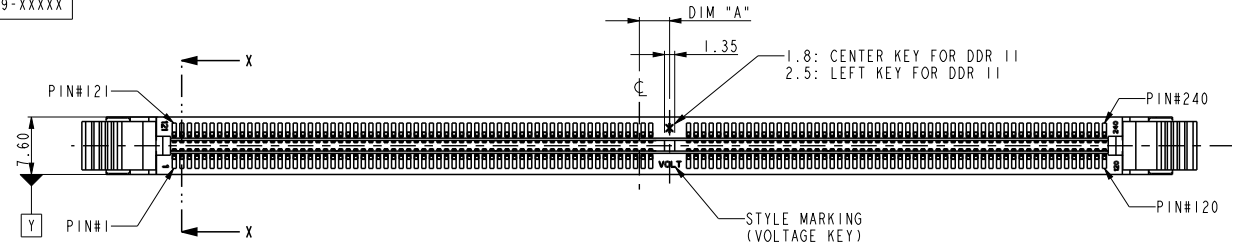


PRODUCT NO.  
10005639-XXXX



PART NO.	DIM "A"	DESCRIPTION
10005639-1****	4.00	1.8V
10005639-2****	3.00	2.5V
10005639-3****	5.00	X.XV

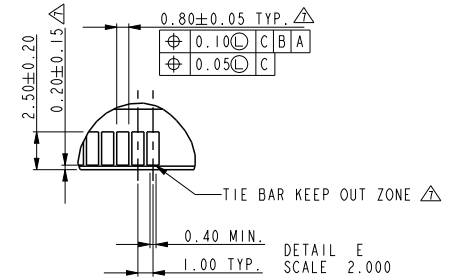
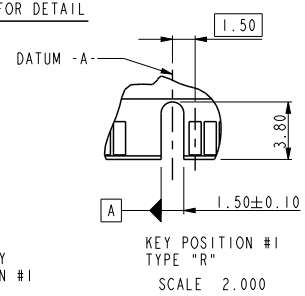
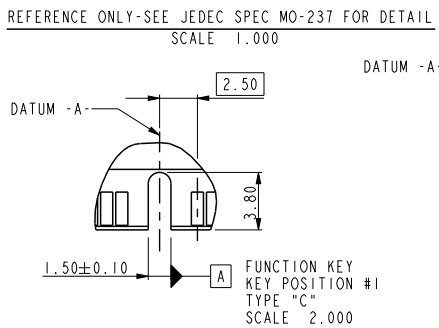
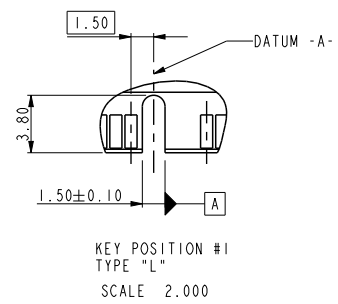
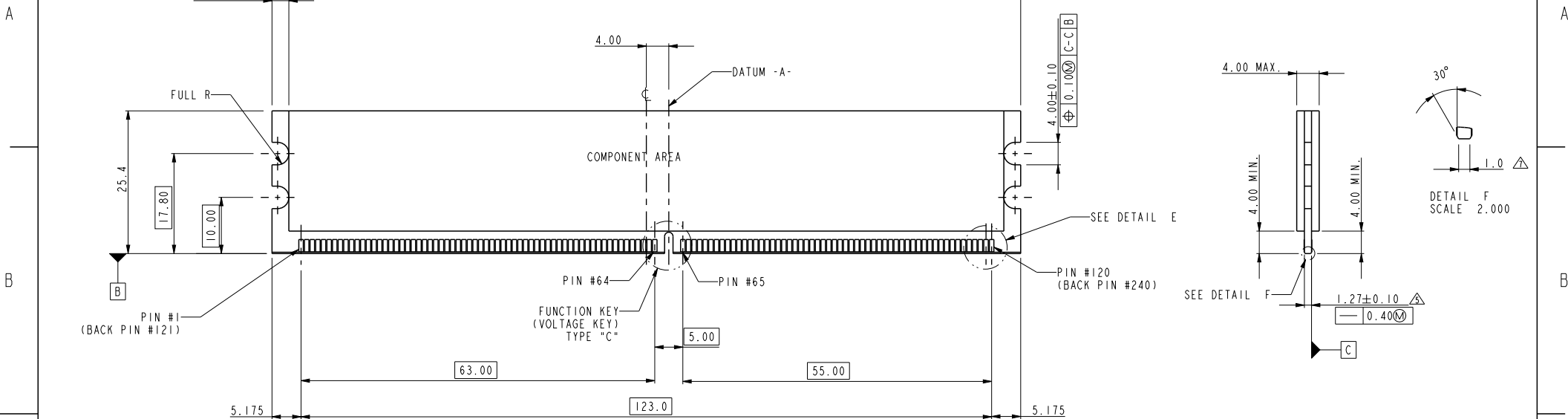
spec ref	*	dr	Rick Bian	2010/07/08	projection	mm	size	A4	scale	0.500												
tolerance std	TOLERANCES UNLESS OTHERWISE SPECIFIED	eng	Nickor Zuo	2011/11/30			ecn no	ELX-DG-008280-1														
-		chr	Jian Huang	2011/12/02				rel level	Released													
surface	<table border="1"> <tr> <td>linear</td> <td>0.X</td> <td>±0.38</td> </tr> <tr> <td></td> <td>0.XX</td> <td>±0.25</td> </tr> <tr> <td></td> <td>0.XXX</td> <td>±0.13</td> </tr> <tr> <td>angular</td> <td>0°</td> <td>±2°</td> </tr> </table>	linear	0.X	±0.38		0.XX	±0.25		0.XXX	±0.13	angular	0°	±2°	appr	Pei-Ming Zheng	2011/12/02	product family	dwg no	10005639		rev	X
linear	0.X	±0.38																				
	0.XX	±0.25																				
	0.XXX	±0.13																				
angular	0°	±2°																				
				title	DDR II 240P V/T																	
		www.fci.com		cat. no.	*	Product - Customer Drw		sheet 1 of 4														

Prod File - REV C - 2009-06-09



Copyright FCI.

TYPE "R"	X.X VOLTAGE
TYPE "L"	2.5 VOLTAGE
TYPE "C"	1.8 VOLTAGE
SUB KEY POS #1	DESCRIPTION



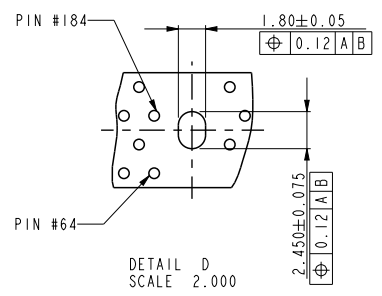
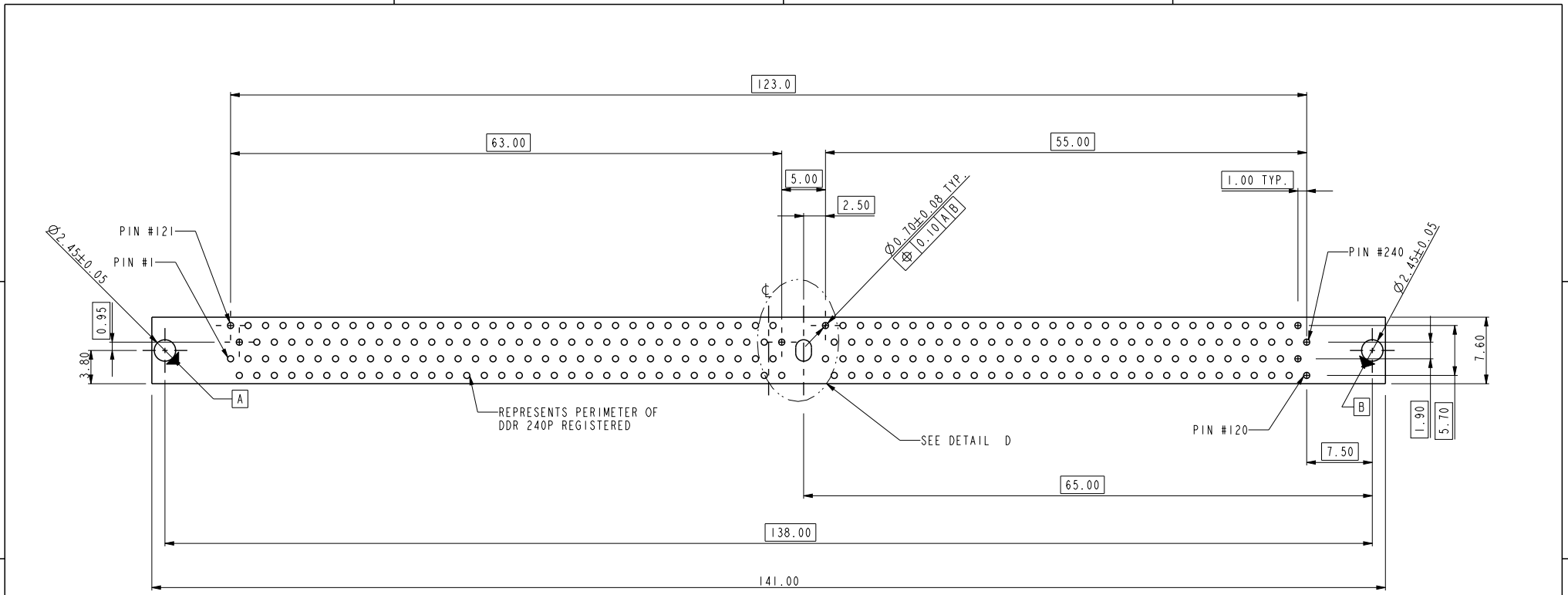
Copyright FCI.

spec ref	*	dr	Rick Bian	2010/07/08	projection	mm	size	A4	scale	0.500												
tolerance std	TOLERANCES UNLESS OTHERWISE SPECIFIED	eng	Nickor Zuo	2011/11/30			ecn no	ELX-DG-008280-1														
-		chr	Jian Huang	2011/12/02				rel level	Released													
surface	<table border="1"> <tr> <td>linear</td> <td>0.X</td> <td>±0.38</td> </tr> <tr> <td></td> <td>0.XX</td> <td>±0.25</td> </tr> <tr> <td></td> <td>0.XXX</td> <td>±0.13</td> </tr> <tr> <td>angular</td> <td>0°</td> <td>±2°</td> </tr> </table>	linear	0.X	±0.38		0.XX	±0.25		0.XXX	±0.13	angular	0°	±2°	appr	Pei-Ming Zheng	2011/12/02	product family	dwg no		10005639	rev	X
linear	0.X	±0.38																				
	0.XX	±0.25																				
	0.XXX	±0.13																				
angular	0°	±2°																				
		www.fci.com		cat. no.	*	Product - Customer Drw		sheet 2 of 4														

PreE File - REV C - 2009-06-09



Copyright FCI.



RECOMMENDED CIRCUIT BOARD HOLE LAYOUT

spec ref	*	dr	Rick Bian	2010/07/08	projection	mm	size	A4	scale	0.500														
tolerance std	TOLERANCES UNLESS OTHERWISE SPECIFIED	eng	Nickor Zuo	2011/11/30				ecn no	ELX-DG-008280-1															
-		chr	Jian Huang	2011/12/02				product family	rel level	Released														
surface	<table border="1"> <tr> <td>linear</td> <td>0.X</td> <td>±0.38</td> </tr> <tr> <td></td> <td>0.XX</td> <td>±0.25</td> </tr> <tr> <td></td> <td>0.XXX</td> <td>±0.13</td> </tr> <tr> <td>angular</td> <td>0°</td> <td>±2°</td> </tr> </table>	linear	0.X	±0.38		0.XX	±0.25		0.XXX	±0.13	angular	0°	±2°	appr	Pei-Ming Zheng	2011/12/02			title	DDR II 240P V/T	dwg no	10005639	rev	X
linear	0.X	±0.38																						
	0.XX	±0.25																						
	0.XXX	±0.13																						
angular	0°	±2°																						
-		www.fci.com	cat. no.	*	Product - Customer Drw		sheet 3 of 4																	

PreE File - REV C - 2009-06-09

10005639 - □ □ □ □ □

PLATING

CODE	CONTACT	SOLDERTAIL	UNDERPLATE
1	10u" (0.25um) MIN. GOLD	100u" (2.54um) MIN. TIN/LEAD	50u" (1.27um) MIN. NICKEL OVERALL
2	15u" (0.38um) MIN. GOLD		
3	30u" (0.76um) MIN. GOLD		
4	3u" (0.076um) MIN. GOLD	100u" (2.54um) MIN. 100% TIN	50u" (1.27um) MIN. NICKEL OVERALL
6LF	10u" (0.25um) MIN. GOLD		
7LF	15u" (0.38um) MIN. GOLD		
8LF	30u" (0.76um) MIN. GOLD	GOLD FLASH	
9LF	3u" (0.076um) MIN. GOLD		
8HLF	30u" (0.76um) MIN. GOLD		

STYLE : MECHANICAL KEYING

- 1 : 1.8 VOLT. W/ CENTER KEY#1
- 2 : 2.5 VOLT. W/ LEFT KEY#1
- 3 : X.X VOLT. W/ RIGHT KEY#1

METAL CLIP

- 1 : WITH METAL CLIP + DIM "D"=3.05
- 2 : WITH METAL CLIP + DIM "D"=3.56
- 3 : WITH METAL CLIP + DIM "D"=3.43

TAIL LENGTH

CODE	DIM "B"
0	2.54
1	2.67
2	3.18
3	4.00

COLOR OF HOUSING AND EJECTOR

- 0 : BLACK HOUSING + IVORY EJECTOR
- 1 : BLUE HOUSING + IVORY EJECTOR
- 2 : BLACK HOUSING + BLACK EJECTOR
- 3 : PURPLE HOUSING + IVORY EJECTOR
- 4 : ORANGE HOUSING + IVORY EJECTOR
- 5 : GREEN HOUSING + IVORY EJECTOR
- 6 : RED HOUSING + IVORY EJECTOR
- 7 : IVORY HOUSING + IVORY EJECTOR
- 8 : YELLOW HOUSING + IVORY EJECTOR
- 9 : IVORY HOUSING + BLACK EJECTOR

NOTES:

- MATERIAL:  
HOUSING: HIGH PERFORMANCE RESINS, GLASS FILLED UL94V-0 RATED.  
EJECTOR: HIGH PERFORMANCE RESINS, GLASS FILLED UL94V-0 RATED.  
TERMINAL: PHOSPHOR BRONZE.  
METAL CLIP: COPPER ALLOY.
- FCI LOGO TO BE APPROXIMATELY LOCATED AS SHOWN ON PRINT.
- PRODUCT SPECIFICATION: GS-12-251.
- PACKAGING SPECIFICATION: GS-14-899.
- CARD THICKNESS APPLIES ACROSS TABS AND INCLUDES PLATING AND/OR METALIZATION.
- 3.00 mm MINIMUM APPLIES TO BOTH 4.00 mm WIDE NOTCH LENGTH AND COMPONENT KEEP-OUT AREA.
- LEADING EDGE OF CONTACT PADS SPECIFIED BY THE KEEP OUT ZONE SHALL BE FREE OF BURRS AND EXTERNAL TIE BARS. FOR OPTIMUM PERFORMANCE, THE TIE BAR IS TO BE ON AN INTERNAL LAYER SO THAT THE REMNANT CANNOT CAUSE CONTACT DAMAGE.
- THE DATE CODE IS SHOWN "MM-DD-YY\*" "\*" MEANS PRODUCTION LINE CODE.
- THIS PRODUCT MEETS EUROPEAN UNION DIRECTIVES AND OTHER COUNTRY REGULATIONS AS DESCRIBED IN GS-22-008.
- THE HOUSING WILL WITH STAND EXPOSURE TO 260°C PEAK TEMPERATURE FOR 10 SECONDS IN A WAVE SOLDER APPLICATION.



Copyright FCI.

spec ref	*	dr	Rick Bian	2010/07/08	projection	mm	size	A4	scale	0.500
tolerance std	TOLERANCES UNLESS OTHERWISE SPECIFIED	eng	Nickor Zuo	2011/11/30			ecn no	ELX-DG-008280-1		
-		chr	Jian Huang	2011/12/02				rel level	Released	
-		appr	Pei-Ming Zheng	2011/12/02	product family		rev		10005639	
surface	linear			title		cat. no.		Product - Customer Drw		sheet 4 of 4
					DDR11 240P V/T					
					DDR11 240P METAL CLIP ASS'Y					
	angular									

## X-ON Electronics

Largest Supplier of Electrical and Electronic Components

*Click to view similar products for [DIMM Connectors](#) category:*

*Click to view products by [FCT Electronics](#) manufacturer:*

Other Similar products are found below :

[1-1932649-2](#) [1-1761024-0](#) [2309411-5](#) [1932180-2](#) [0783590111](#) [0783590001](#) [0877051053](#) [10079248-11103LF](#) [10086891-052TSLF](#)  
[10116658-252ASLF](#) [59355-052FSLF](#) [5390471-1](#) [10074146-13211LF](#) [10079248-10202LF](#) [2309407-3](#) [10033853-052ASLF](#) [87782-6003](#) [KIT-](#)  
[SODIMM-1X16GB/01](#) [0780350001](#) [0878030012](#) [75.963AT.G020C](#) [78.B1GDE.AF1](#) [10078239-11103LF](#) [6-390322-1](#) [2013311-1](#) [2309410-1](#)  
[10116658-052FSLF](#) [10116658-152FSLF](#) [1-1735438-3](#) [78730-1002](#) [78726-1002](#) [2013310-1](#) [390111-1](#) [1735438-3](#) [78373-0011](#) [2308107-1](#) [2-](#)  
[2308107-1](#) [2309411-1](#) [5-1746530-4](#) [2309408-1](#) [2309409-1](#) [2309412-1](#) [151134-0001](#) [2309413-1](#) [296406200001856+](#) [2309407-1](#) [FCN-](#)  
[074J240-G/1D](#) [FCN-074B288-G/2D](#) [2309414-1](#) [10081530-12208LF](#)