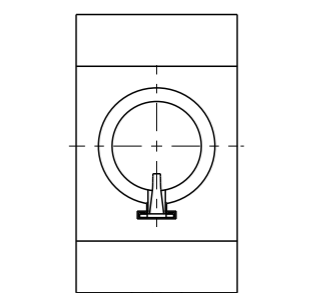
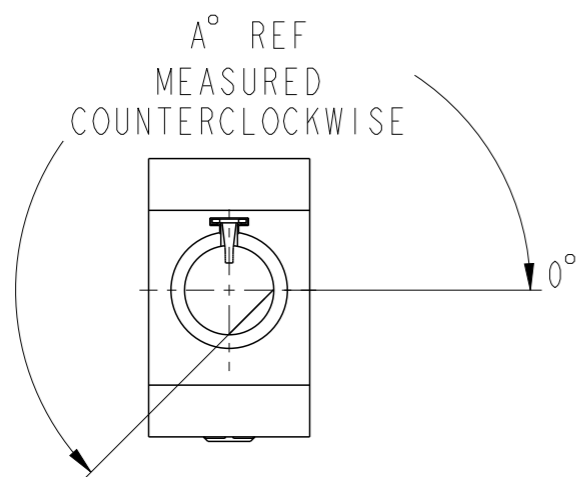


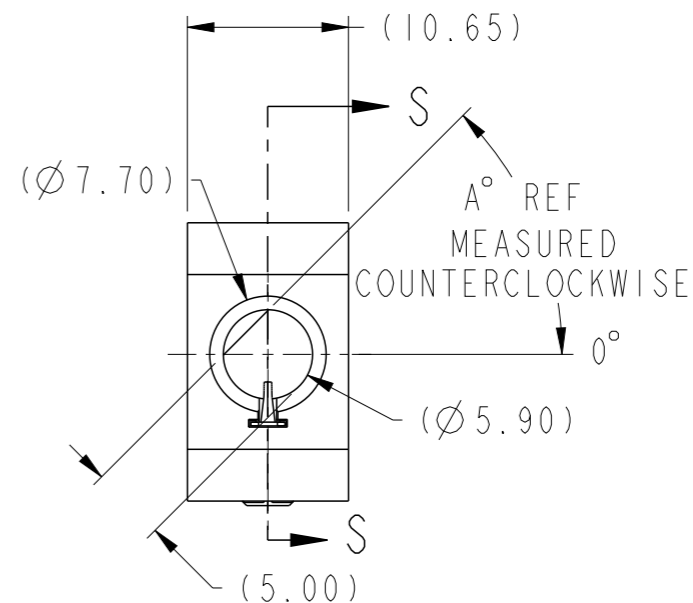
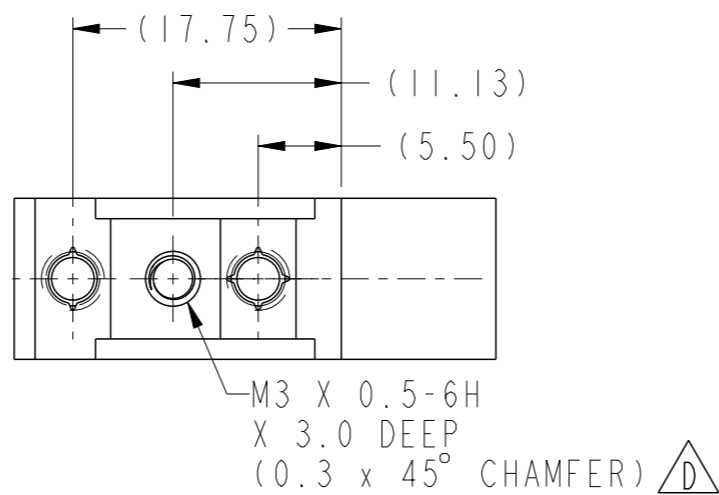
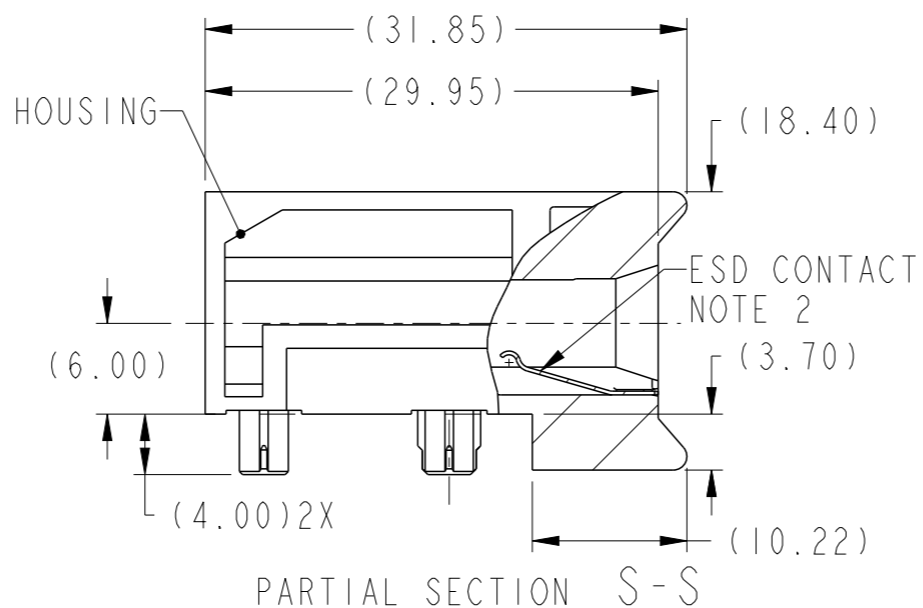
PRODUCT NUMBER  
SEE TABLE, SHT 2



VIEW H  
ESD ORIENTAION



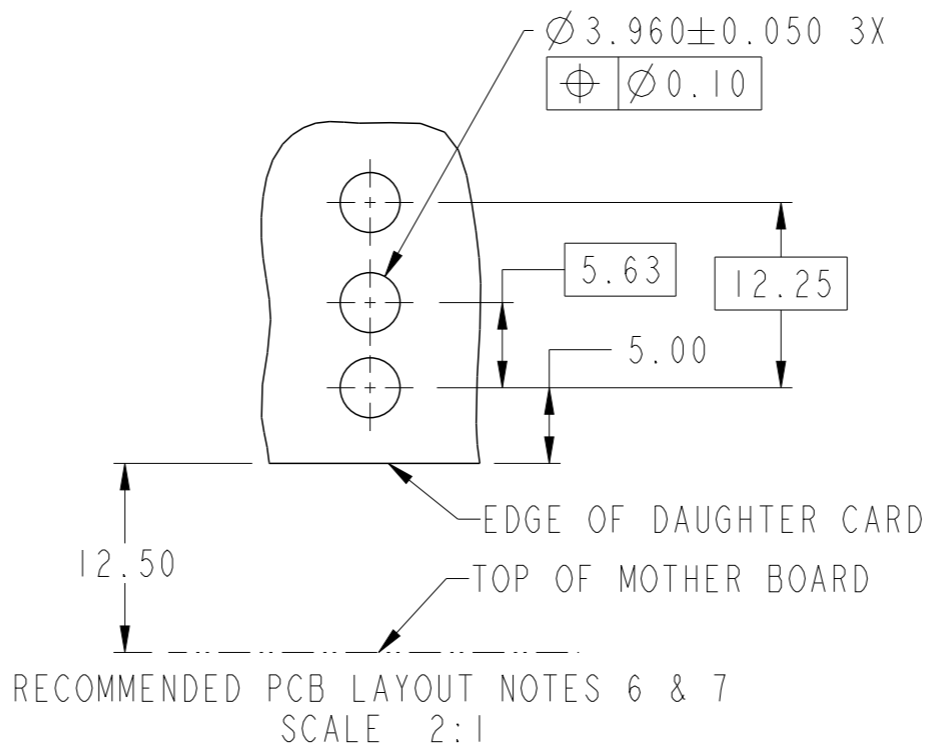
VIEW G  
ESD ORIENTATION



VIEW F  
ESD ORIENTATION  
(P/N 10037912-102 SHOWN)

spec ref		dr	Chen-Hong Tan	2005/08/17	projection	MM	size	A3	scale	1:1	
tolerance std ASME Y14.5		TOLERANCES UNLESS OTHERWISE SPECIFIED			eng	Yong-Keat Lim	2011/10/04	ecn no ELX-S-006144-1			
		chr	-			product family		AirMax Accessories			
		appr	Chen-Hong Tan	2011/10/07	rel level		Released				
surface	3.2	linear	0.X	$\pm .3$	FCj www.fci.com	10.8mm GUIDE MODULE ASSY WITH ESD & KEYING OPTIONS		cat. no.	-	Product - Customer Drw	sheet 1 of 3
			0.XX	$\pm .10$							
			0.XXX	$\pm .050$							
ASME Y14.5		angular	0°	$\pm 2^\circ$	cat. no.	-	Product - Customer Drw	rel level	Released	rev	D

PRODUCT NUMBER NOTES 4 & 8	DIM A	ESD PIN LOCATION
10037912-1X1LF	0°	PER VIEW F
10037912-1X2LF	45°	PER VIEW F
10037912-1X3LF	90°	PER VIEW F
10037912-1X4LF	135°	PER VIEW G
10037912-1X5LF	180°	PER VIEW G
10037912-1X6LF	225°	PER VIEW G
10037912-1X7LF	270°	PER VIEW G
10037912-1X8LF	315°	PER VIEW F
10037912-1X9LF	N/A NOTE 5	PER VIEW H



spec ref	dr	Chen-Hong Tan	2005/08/17	projection	MM	size	A3	scale	1:1
tolerance std	eng	Yong-Keat Lim	2011/10/04			ecn no	ELX-S-006144-1	rel level	Released
ASME Y14.5	chr	-	-						
	appr	Chen-Hong Tan	2011/10/07	product family		AirMax Accessories			
surface	linear	0.X	±.3		10.8mm GUIDE MODULE ASSY		dwg no	10037912	rev
ASME Y14.5	angular	0.XX	±.10		WITH ESD & KEYING OPTIONS				
		0.XXX	±.050						
		0°	±2°	www.fci.com	cat. no.	-	Product - Customer Drw		sheet 2 of 3



Copyright FCI.

A

B

C


D

A

B

C

D

- ①. MATERIAL: ZINC ALLOY
- ②. FINISH: HOUSING; ZINC YELLOW CHROMATE  
ESD CONTACT; 1.27um MINIMUM NICKEL ALL OVER
- 3. APPLICATION SPEC: GS-20-045
- ④. X = 0 FOR MODULES WITH ESD GROUNDING OPTION  
X = 1 FOR MODULES W/O ESD GROUNDING OPTION
- ⑤. FOR THE -109LF VERSION (NO KEY) THE MATING GUIDE PIN MUST BE ORIENTATED SO IT MAKES CONTACT WITH THE ESD PIN
- ⑥. THRU HOLE PLATING AND ANNULAR RINGS MUST BE ADDED AS APPROPRIATE FOR APPLICATIONS WITH THE ESD GROUNDING OPTION. FINISHED HOLE SIZE IS THE SAME REGARDLESS OF PLATED BARREL OR NOT
- ⑦. REFER TO CUSTOMER DRAWING 10035911 FOR INFORMATION REGARDING PCB LAYOUT OF POWER AND GUIDE MODULES RELATIVE TO SIGNAL MODULES
- ⑧. EQUIVALENT PRODUCTS SHOWN ON CUSTOMER DRAWING 10025408 MAY BE SUBSTITUTED PRIOR TO TOOLING COMPLETION
- 9. THIS PRODUCT MEETS EUROPEAN UNION DIRECTIVES AND OTHER COUNTRY REGULATIONS AS DESCRIBED IN GS-22-008.
- 10. PACKAGING MEETS GS-14-920 LEAD FREE LABELING SPECIFICATION.
- 11. A  SYMBOL WILL BE NEXT TO ANY DIMENSION, VIEW, OR NOTE WHICH HAS BEEN MODIFIED WITH THE CURRENT DRAWING REVISION.



Copyright FCI.

spec ref		dr	Chen-Hong Tan	2005/08/17	projection	MM	size	A3	scale	1:1			
tolerance std	ASME Y14.5	TOLERANCES UNLESS OTHERWISE SPECIFIED			eng	Yong-Keat Lim	2011/10/04	ecn no			ELX-S-006144-1		
surface	3.2	linear	0.X	±.3	chr	-	product family			AirMax Accessories	rel level	Released	
			0.XX	±.10	appr	Chen-Hong Tan	2011/10/07	10.8mm GUIDE MODULE ASSY		dwg no	10037912	rev	D
		angular	0°	±2°	www.fci.com		cat. no.	-	Product - Customer Drw		sheet 3 of 3		

## X-ON Electronics

Largest Supplier of Electrical and Electronic Components

*Click to view similar products for [High Speed/Modular Connectors](#) category:*

*Click to view products by [FCT Electronics](#) manufacturer:*

Other Similar products are found below :

[2332816-1](#) [89006-1137LF](#) [650827-1](#) [65762-001LF](#) [73474-201LF](#) [74040-1346](#) [74075-0267](#) [88911-201LF](#) [9514M0C20D](#) [1410191-1](#)  
[1410337-1](#) [1410368-3](#) [1410964-2](#) [1410326-3](#) [1410367-3](#) [1410971-4](#) [1467833-1](#) [2000877-1](#) [2000878-1](#) [2041314-1](#) [2065387-1](#) [2187307-1](#)  
[2187462-1](#) [2226278-6](#) [KA81-07](#) [91290-101LF](#) [1934290-1](#) [2000875-1](#) [2065917-1](#) [2102736-2](#) [FSR-40](#) [2169868-2](#) [2226279-2](#) [22354-8](#) [437-](#)  
[5040-000](#) [5-1393565-0](#) [532449-3](#) [532803-2](#) [34745-0001](#) [0740618502](#) [0760151403](#) [0760551105](#) [0760551608](#) [0761451128](#) [0761651124](#)  
[0761655108](#) [0761659807](#) [0769853208](#) [0736440217](#) [0758324203](#)