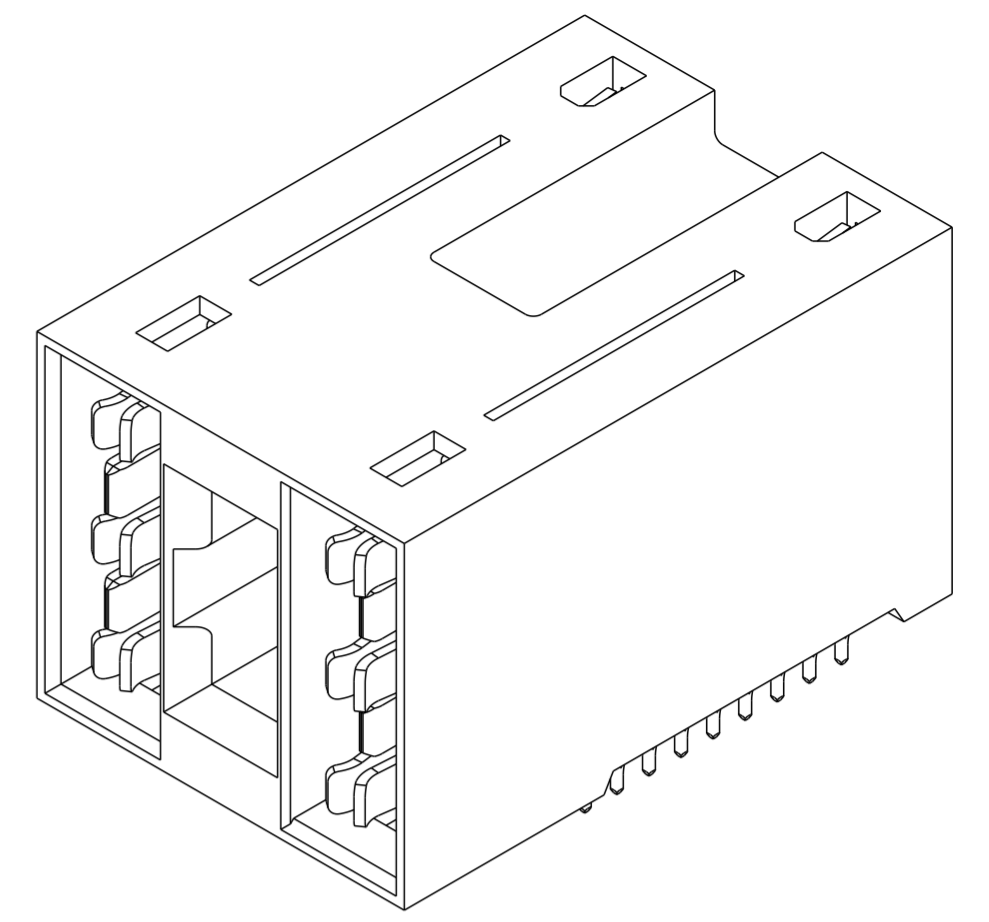
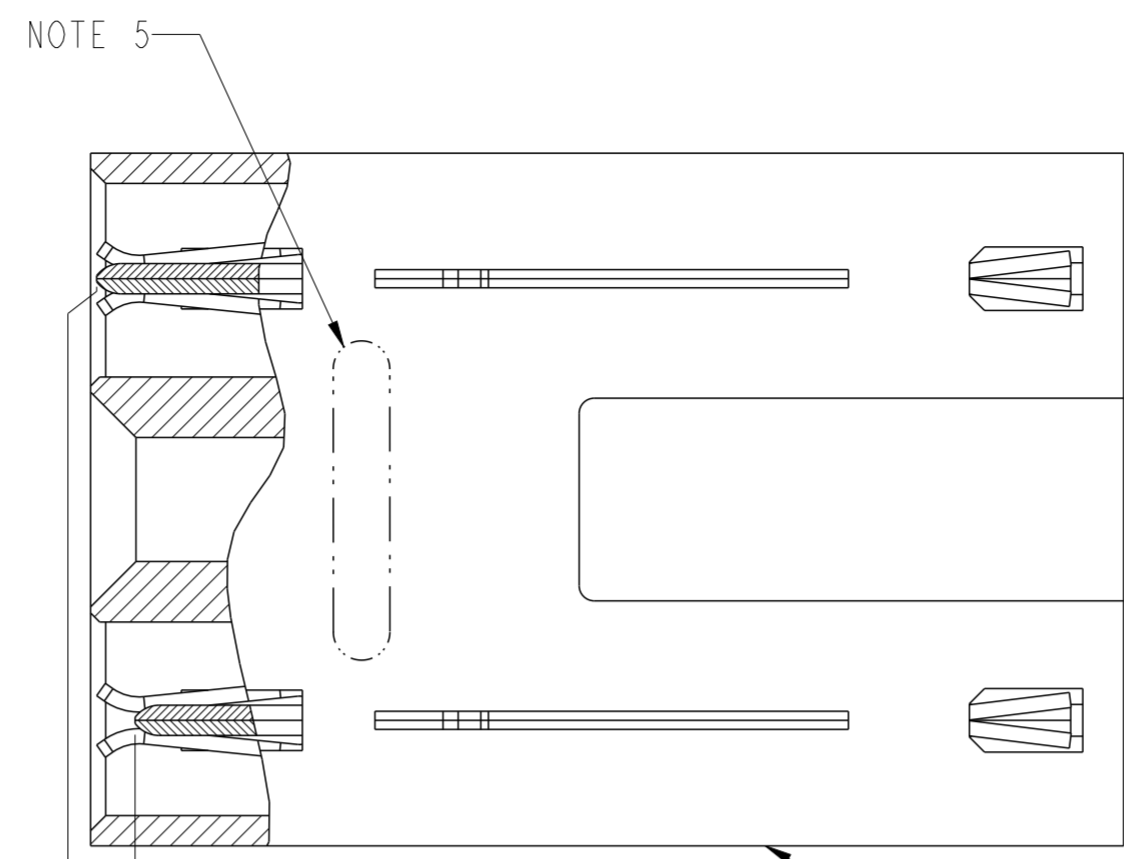


PART NUMBER	FIRST MATE (LONG) CONTACT POSN	SECOND MATE (SHORT) CONTACT POSN	TAIL TYPE
10087937-001LF	NONE	POSN 1 & 2	PRESS-FIT
10087937-002LF	POSN 1	POSN 2	

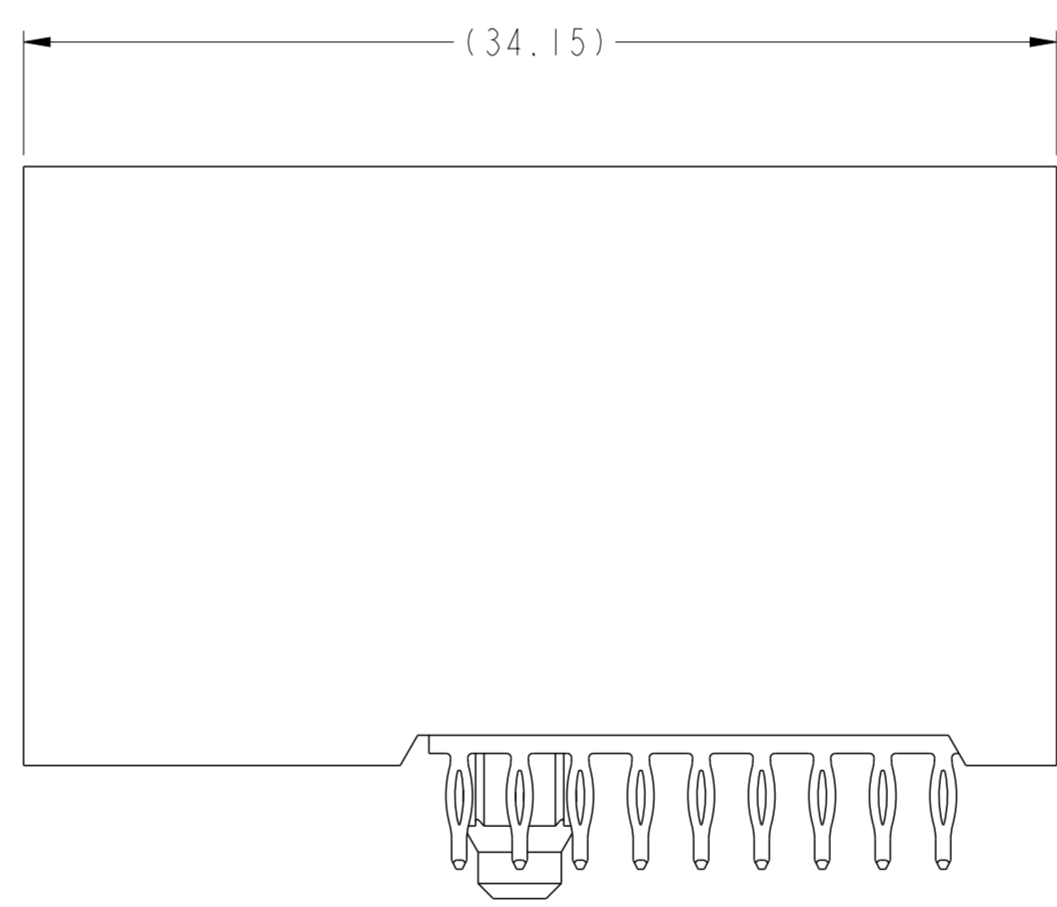
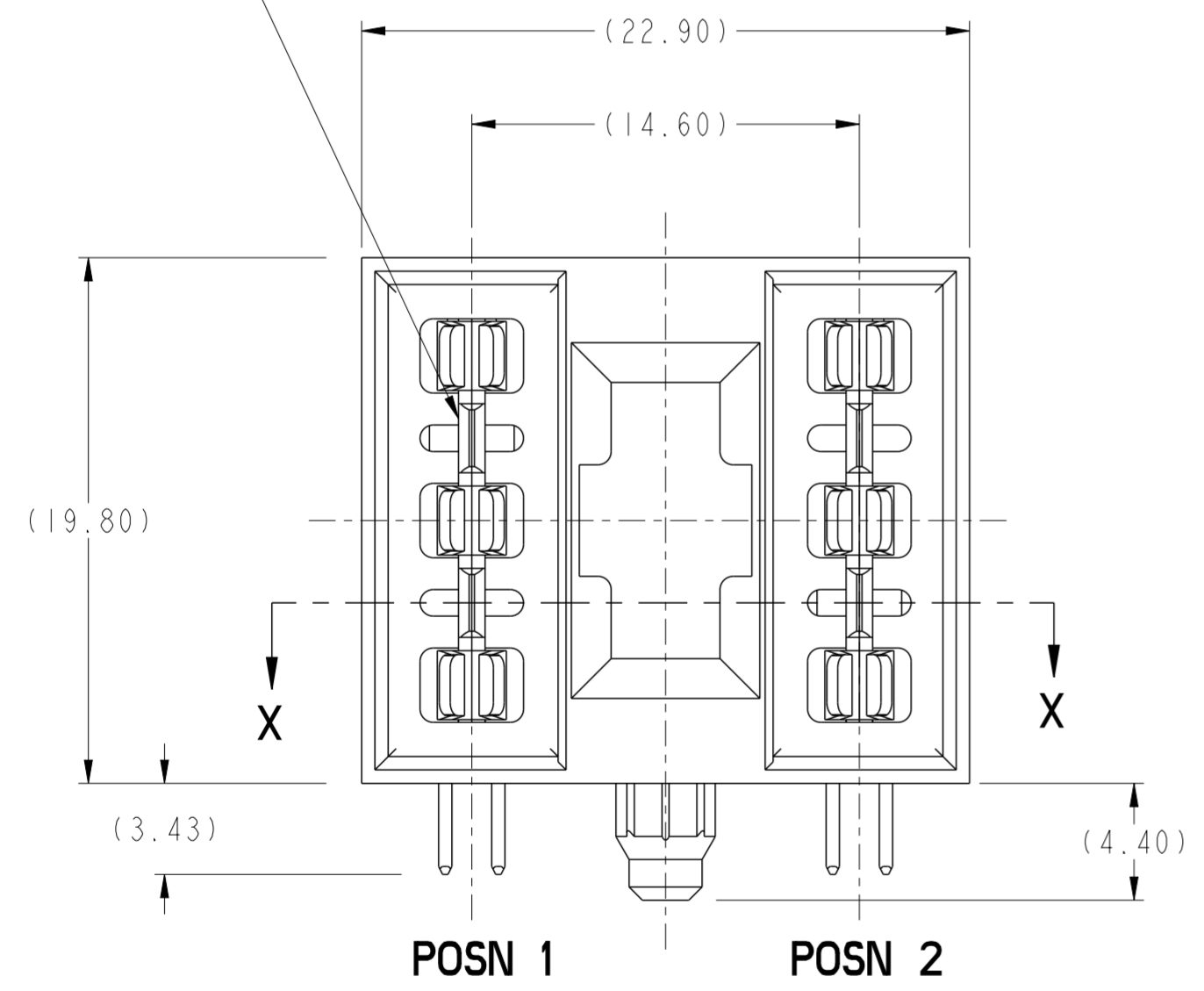


POWER CONTACTS,  
LONG AND SHORT BLADES  
(SEE DETAIL C)

(1.27)  
CONTACT SEQUENCING

HOUSING  
NOTE 8

**SECTION X-X**



KEYING FOR  
LONG CONTACTS

KEYING FOR  
SHORT CONTACTS

**10087937-002 SHOWN**

Copyright FCI.  
**FCI**

spec ref	-	dr	NotFound DuWa	2010/04/28	projection	MM	size	A2	scale	4:1		
tolerance std	ASME Y14.5	eng	De-Ming Lu	2014/12/28			ecn no	ELX-DG-19849-1				
TOLERANCES UNLESS OTHERWISE SPECIFIED		chr	-	appr			Pei-Ming Zheng	2014/12/29	product family	HCI	rel level	Released
surface	ASME Y14.5	linear	0.X ±0.5 0.XX ±0.25 0.XXX ±0.10	angular			0° ±2°	www.fci.com	cat. no.	-	Product - Customer Drw	sheet 1 of 2
<b>FCI</b> title ASSEMBLY, HEADER, R/A 2 POSN BACKPANEL MODULE W/GUIDE							dwg no	10087937		rev	C	

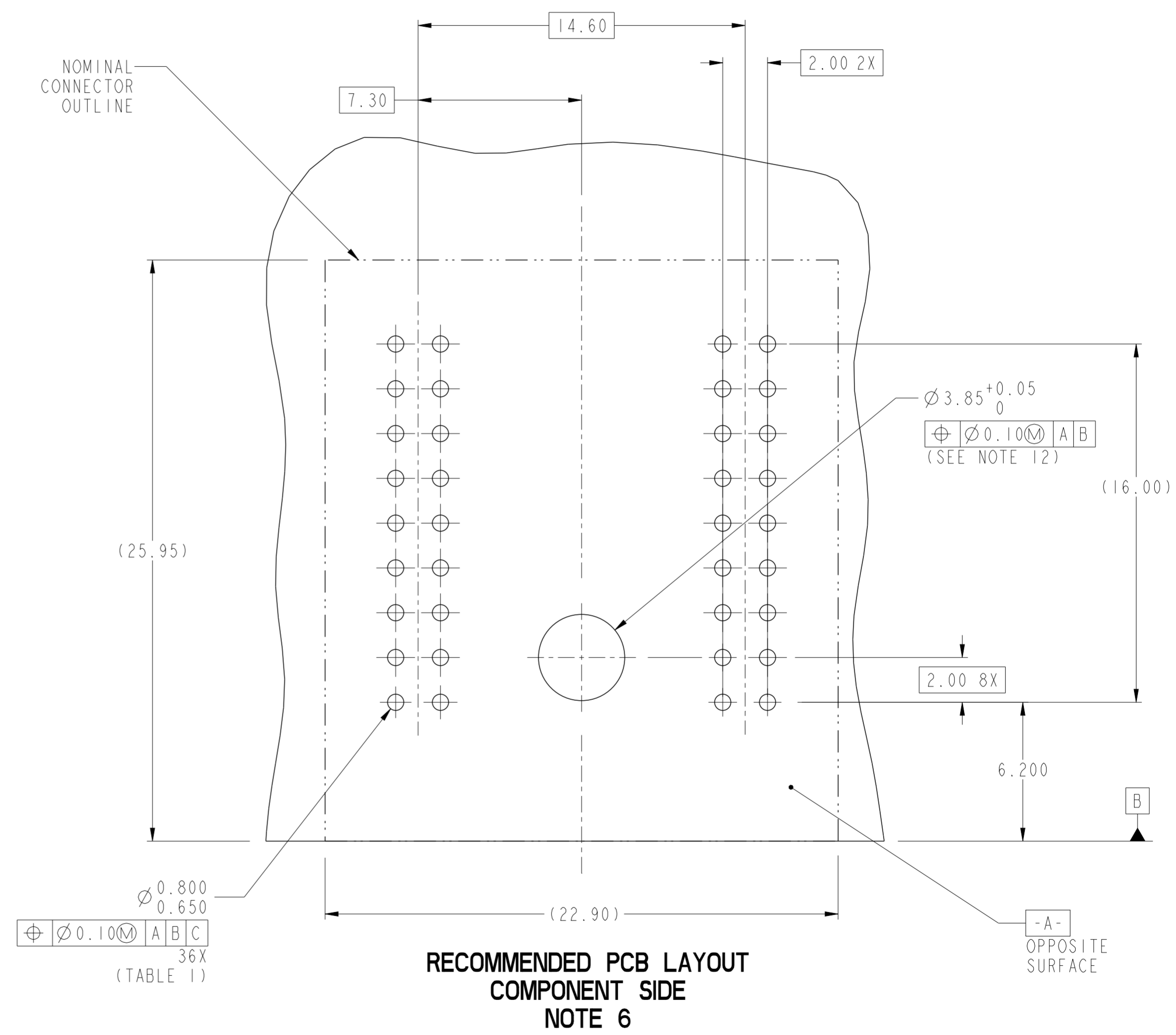
PDS: Rev :C

STATUS:Released

Printed: Dec 30, 2014

TOP LAYER DESCRIPTION	TABLE 1 (HCI POWER) PLATED THROUGH-HOLE REQUIREMENTS							
	DRILLED HOLE DIAMETER	COPPER THICKNESS	TIN-LEAD THICKNESS	NICKEL THICKNESS	GOLD THICKNESS	TIN THICKNESS	SILVER THICKNESS	FINISHED HOLE DIAMETER
TIN-LEAD	0.81-0.86 (0.85 DRILL)	0.025 - 0.050	0.005 - 0.015	--	--	--	--	0.65 - 0.80
IMMERSION TIN	0.81-0.86 (0.85 DRILL)	0.025 - 0.050	--	--	--	0.9 - 1.5um	--	0.70 - 0.80
IMMERSION SILVER	0.81-0.86 (0.85 DRILL)	0.025 - 0.050	--	--	--	--	0.15 - 0.65um	0.70 - 0.80
COPPER (SEE NOTE 9)	0.81-0.86 (0.85 DRILL)	0.025 - 0.050	--	--	--	--	--	0.70 - 0.80
GOLD	0.81-0.86 (0.85 DRILL)	0.025 - 0.050	--	0.003 - 0.007	FLASH UP TO 0.0002	--	--	0.69 - 0.80

- NOTES:
- CONNECTOR MATERIALS:  
HOUSING: HIGH TEMPERATURE THERMOPLASTIC, BLACK  
UL 94V-0 COMPLIANT  
CONTACTS: HIGH PERFORMANCE COPPER ALLOY
  - CONTACT FINISH (Ref. GS-12-380 SECTION 5.2)
  - PRODUCT SPECIFICATION: GS-12-380. (IN PROGRESS)
  - APPLICATION SPECIFICATION: GS-20-070. (IN PROGRESS)
  - PRODUCT MARKING (PRODUCT NUMBER & DATE CODE) ON HOUSING IN AREA SHOWN.
  - MINIMUM NOMINAL PCB THICKNESS: 1.6mm
  - PACKAGING MEETS FCI SPECIFICATION GS-14-1194
  - HOUSING COMPONENT WILL WITHSTAND EXPOSURE TO 260°C PEAK TEMPERATURE FOR 60 SECONDS IN A CONVECTION, INFRA-RED, OR VAPOR PHASE REFLOW OVEN.
  - COPPER PLATING THICKNESS IN CENTER OF VIA-HOLE CAN BE NO MORE THAN 0.003 LESS THAN OTHER AREAS.
  - ALL HOLE SIZES ARE FINISHED HOLE SIZES UNLESS OTHERWISE NOTED.
  - THE GUIDANCE SYSTEM OF THIS PRODUCT IS "NOT" INTENDED TO BE USED AS AN OVERALL SYSTEM GUIDE.
  - UNPLATED HOLES.



RECOMMENDED PCB LAYOUT  
COMPONENT SIDE  
NOTE 6

dr	NotFound DuWa	2010/04/28	projection	MM	size	A2	scale	6:1
eng	De-Ming Lu	2014/12/28			ecn no	ELX-DG-19849-1	rel level	Released
chr	-	-						
appr	Pai-Ming Zheng	2014/12/29	product family	-	rel level	-	rel level	Released
		title		ASSEMBLY, HEADER, R/A		dwg no		10087937
www.fci.com		cat. no.		-		Product - Customer Drw		sheet 2 of 2

Copyright FCI.

## X-ON Electronics

Largest Supplier of Electrical and Electronic Components

*Click to view similar products for [Power to the Board](#) category:*

*Click to view products by [FCT Electronics](#) manufacturer:*

Other Similar products are found below :

[10131318-08512GRLF](#) [6450171-4](#) [6450552-7](#) [6600323-8](#) [6643429-1](#) [6646040-2](#) [6651939-1](#) [6766604-1](#) [120959-1](#) [1393557-2](#) [1393532-2](#)  
[1393532-3](#) [1393532-4](#) [1393557-1](#) [1600812-5](#) [1-6450861-2](#) [1645595-1](#) [1743490-1](#) [1744132-7](#) [1761122-1](#) [1766169-1](#) [1766250-1](#) [18362](#)  
[1892109-1](#) [1-967627-6](#) [2226808-1](#) [2-6450860-5](#) [2-6450860-6](#) [2-6450870-0](#) [93003-0502](#) [953552-1](#) [1-6450161-4](#) [1-6450850-6](#) [1645526-2](#) [1-](#)  
[6600130-0](#) [1743419-1](#) [1766150-1](#) [2005243-2](#) [211110-1](#) [2-6600130-2](#) [TE34-12-16P-F0](#) [51700-10201602AALF](#) [5-6450830-6](#) [5646956-4](#)  
[36662-0005](#) [40585-3000](#) [4-6450830-9](#) [4-6600333-3](#) [51142-0214](#) [10125416-4050LF](#)