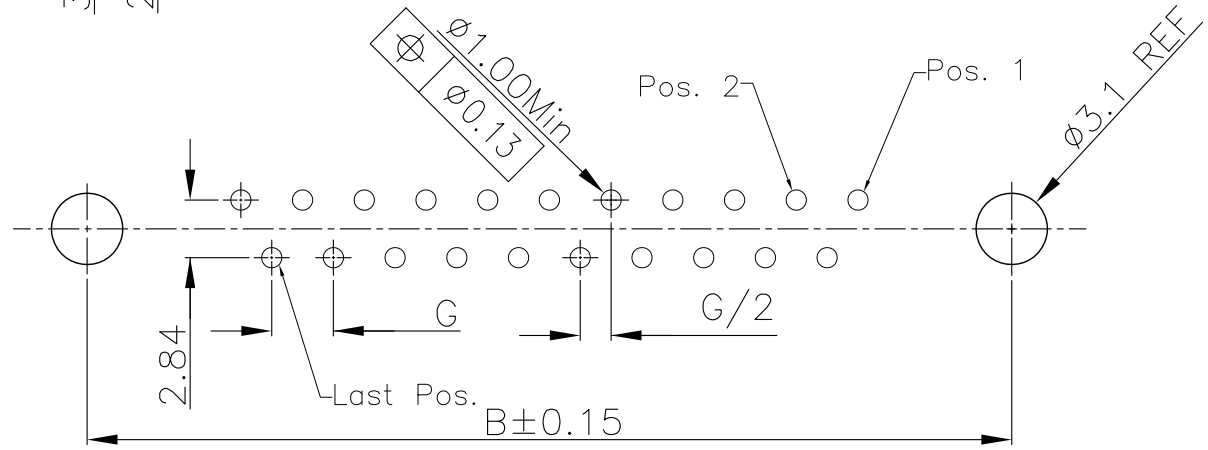
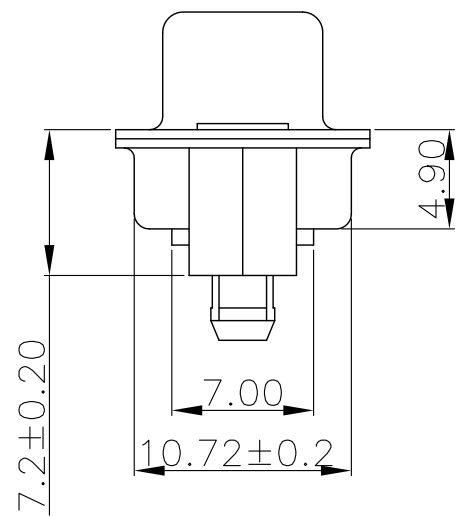
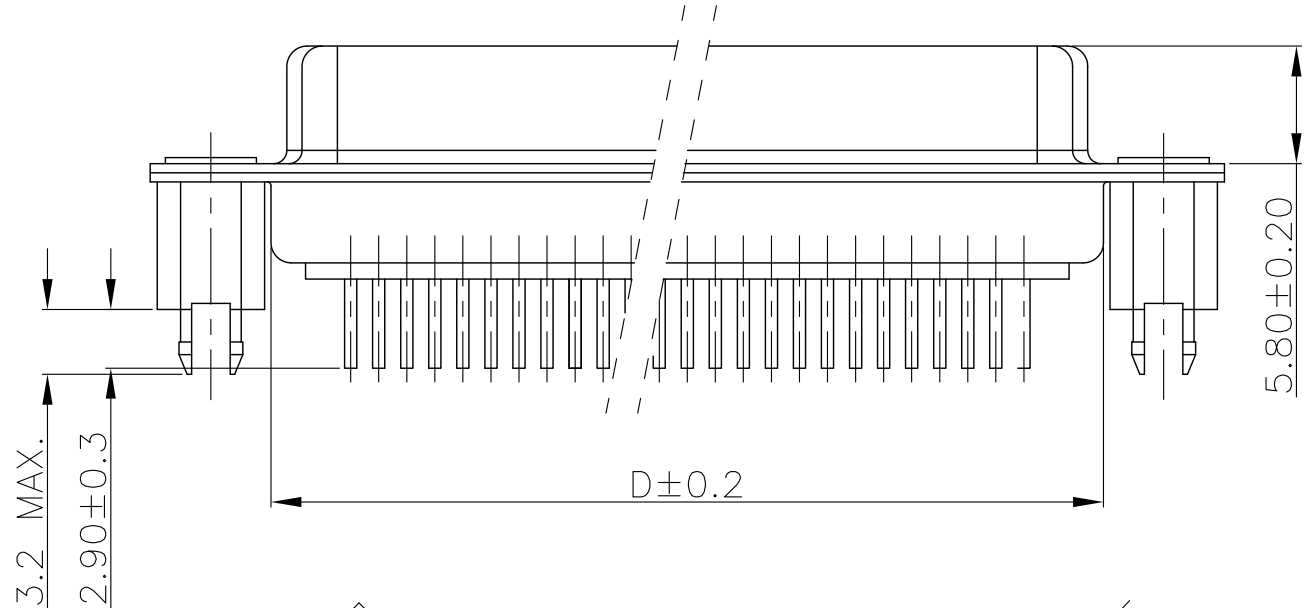
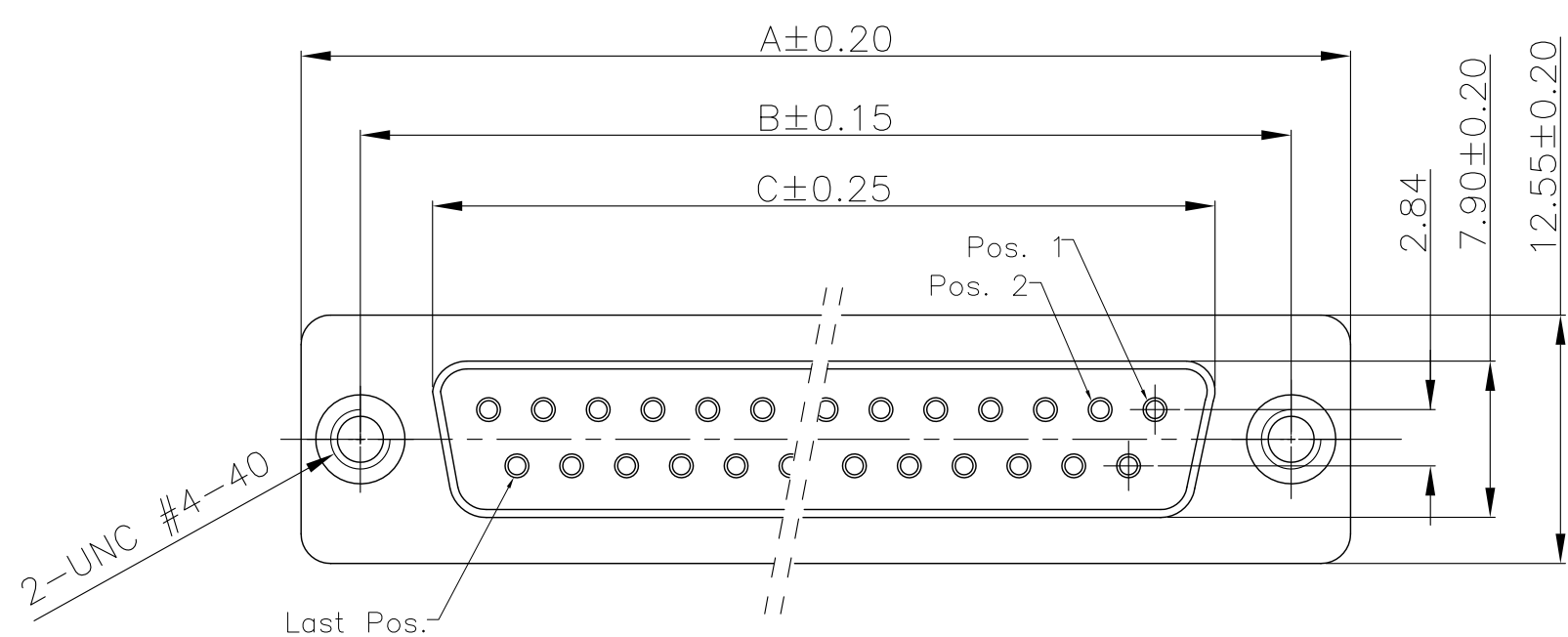


Tous droits strictement reserves. Reproduction ou communication a des tiers interdite sous quelque forme que ce soit sans autorisation ecrite du proprietaire. Propriete de c FCI. Droits de reproduction FCI.



All rights strictly reserved. Reproduction or issue to third parties in any form whatever is not permitted without written authority from the proprietor. Property of FCI. Copyright FCI.



P.C.B LAYOUT
t: 1.6±0.1MM

REMARK:
1.CHARACTERISTICS:
RATED VOLTAGE: 250V
RATED CURRENT: 5AMP
CONTACT RESISTANCE: 25mohms MAX.INITIAL;40mohms MAX.AFTER.
INSULATION RESISTANCE: 5000Mohms MIN.at 500V DC
DIELECTRIC STRENGTH: 1000VRMS
OPERATING TEMPERATURE RANGE: -55°C~105°C
INSERTION/EXTRACTION FORCE PER CONTACT:5N Max./0.3N Min.
MATING/UNMATING CYCLES:50MATINGS MIN.

2.MATERIAL:
INSULATORS: GLASS-FILLED THERMOPLASTIC UL94V-0, COLOR IN BLACK.
CONTACTS: COPPER ALLOY, SELECTIVE GOLD ON CONTACT AREA,
100u" Min MATTE TIN TOP OVER SOLDER AREA,
30u" Min NICKEL UNDER PLATE.
SHELL: STEEL,100u" Min NICKEL TOP OVER,
50u" Min COPPER UNDER PLATE.
CLINCH NUT :COPPER ALLOY,100u" Min MATTE TIN PLATED.

3. PART NUMBER DESCRIPTION:

10090098-S XX 4 X LF
SERIES NO. _____
TYPE _____
S: SOCKET (FEMALE)
NUMBER OF CONTACTS _____
09: 9-PIN
15: 15-PIN
25: 25-PIN
37: 37-PIN
LF: ROHS COMPLIANT
FLANGE MOUNTING OPTION
X: UNC #4-40 CLINCHNUTS
CONTACT FINISH
4: GOLD FLASH

POS.	PART NO.	THREAD TYPE
9	10090098-S094XLF	UNC 4-40
15	10090098-S154XLF	UNC 4-40
25	10090098-S254XLF	UNC 4-40
37	10090098-S374XLF	UNC 4-40

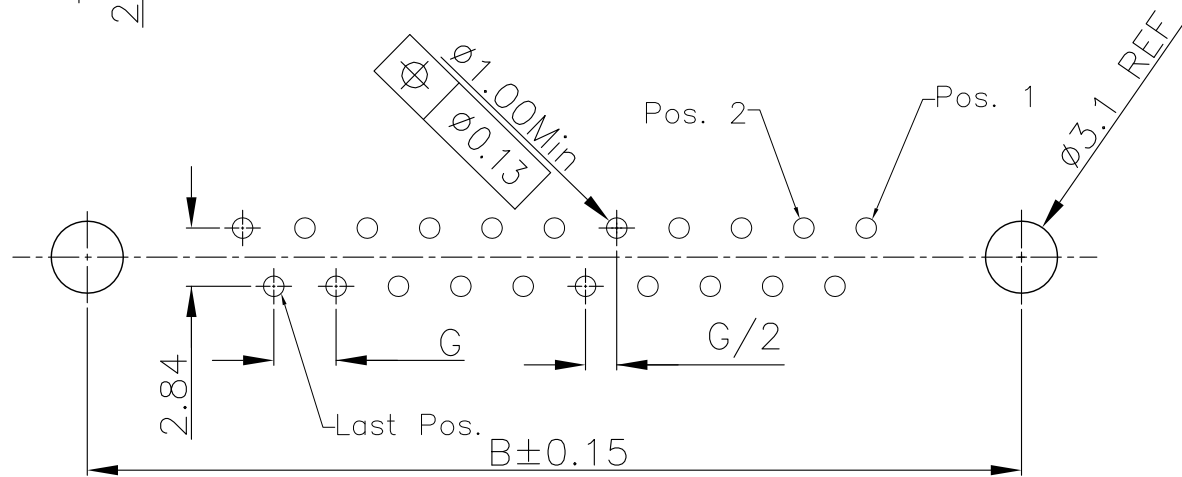
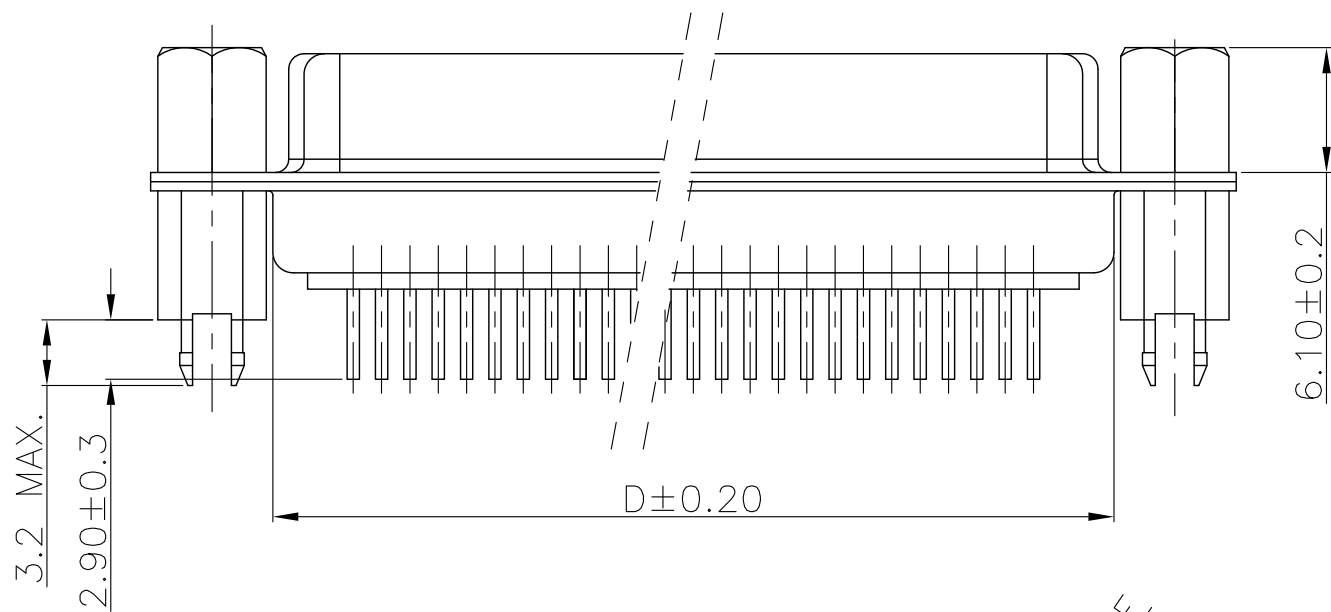
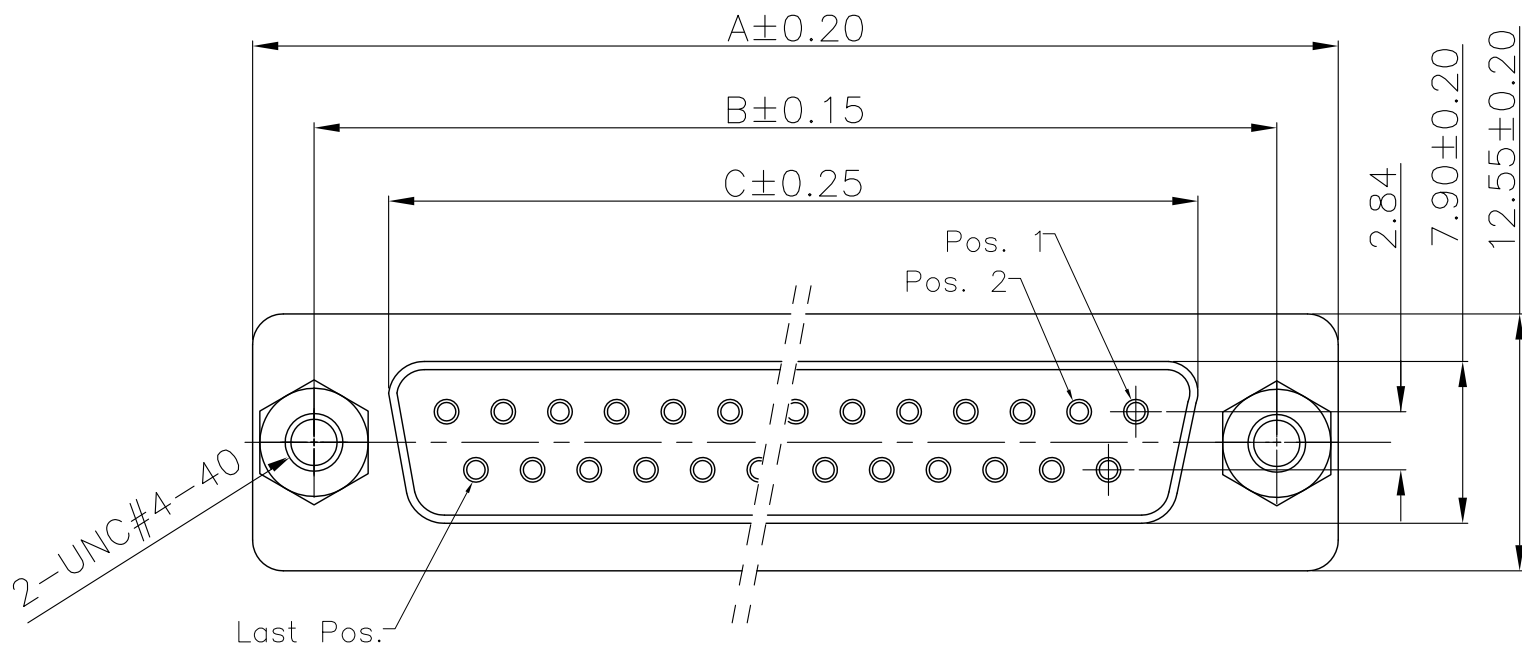
POS.	A	B	C	D	G
09	30.81	24.99	16.33	19.28	2.74
15	39.24	33.32	24.66	27.75	2.74
25	53.04	47.04	38.38	41.30	2.77
37	69.32	63.50	54.84	57.40	2.77

mat'l. code				tolerances unless otherwise specified		CUSTOMER COPY		FCI www.fciconnect.com		
ltr	ecn no	dr	date	linear	.X ± 0.38		projection	title		
A	T09-1033	J.H	3/13/09		.XX ± 0.25					
B	T09-1044	J.H	4/2/09	angles	.XXX ± 0.10		MM	D-SUB FEMALE STRAIGHT		
C	ELX-I-15340	M.P	07/25/13		0° ±2°					
D	ELX-I-15500	A.B	2013/08/21	dr	JASON HSU	3/12/09	scale 1:1	product family	D-SUB	code
				engr	ALIAS BABU	2013/08/21		size	dwg no	TWN
				chr	MITHUN PAUL	2013/08/21		A4	10090098	sheet
				appd	BIJU K PAUL	2013/08/21				1 of 2
sheet index	revision sheet	D	D							
		1	2							

Tous droits strictement reserves. Reproduction ou communication a des tiers interdite sous quelque forme que ce soit sans autorisation ecrite duproprietaire. Propriete de c FCI. Droits de reproduction FCI.



All rights strictly reserved. Reproduction or issue to third parties in any form whatever is not permitted without written authority from the proprietor. Property of FCI. Copyright FCI.



P.C.B LAYOUT
t: 1.6±0.1MM

REMARK:

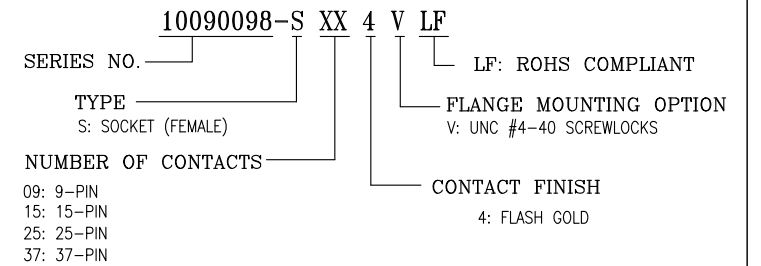
1.CHARACTERISTICS:

RATED VOLTAGE: 250V
RATED CURRENT: 5AMP
CONTACT RESISTANCE: 25mohms MAX.INITIAL ;40mohms MAX.AFTER.
INSULATION RESISTANCE: 5000Mohms MIN.at 500V DC
DIELECTRIC STRENGTH: 1000VRMS
OPERATING TEMPERATURE RANGE: -55°C~105°C
INSERTION/EXTRACTION FORCE PER CONTACT :5N Max./0.3N Min.
MATING/UNMATING CYCLES :50MATINGS MIN.

2.MATERIAL:

INSULATORS: GLASS-FILLED THERMOPLASTIC UL94V-0, COLOR IN BLACK.
CONTACTS: COPPER ALLOY,SELECTIVE GOLD ON CONTACT AREA,
100u" Min MATTE TIN TOP OVER SOLDER AREA,
30u" Min NICKEL UNDER PLATE.
SHELL: STEEL,100u" Min NICKEL TOP OVER,
50u" Min COPPER UNDER PLATE.
CLINCH NUT :COPPER ALLOY,100u" Min MATTE TIN PLATED.
SCREW LOCK: COPPER ALLOY, 100u" Min BRIGHT NICKEL PLATED.

3. PART NUMBER DESCRIPTION:



POS.	PART NO.	A	B	C	D	G
09	10090098-S094VLF	30.81	24.99	16.33	19.28	2.74
15	10090098-S154VLF	39.24	33.32	24.66	27.75	2.74
25	10090098-S254VLF	53.04	47.04	38.38	41.30	2.77
37	10090098-S374VLF	69.32	63.50	54.84	57.40	2.77

mat'l. code				tolerances unless otherwise specified		CUSTOMER COPY		FCI www.fciconnect.com	
ltr	ecn no	dr	date	linear	.X ± 0.38	projection	title		
D					.XX ± 0.25		D-SUB FEMALE STRAIGHT		
				angles	.XXX ± 0.10				
				dr	JASON HSU 3/12/09	MM	product family	D-SUB	code
				enrg	ALIAS BABU 2013/08/21		size	dwg no	TWN
				chr	MITHUN PAUL 2013/08/21	scale	A4	10090098	sheet
				appd	BIJU K PAUL 2013/08/21				
sheet index	revision sheet								

X-ON Electronics

Largest Supplier of Electrical and Electronic Components

Click to view similar products for [D-Sub Standard Connectors](#) category:

Click to view products by [Amphenol](#) manufacturer:

Other Similar products are found below :

[DCM37S732N](#) [DAM15P500](#) [DEV09S364GTLF](#) [DEM09P032N](#) [DDM50P732N](#) [DAM15S332N](#) [173109-2218](#) [173109-2466](#) [173109-2436](#)
[173109-2435](#) [56F706-005-LI](#) [56F711-015](#) [015-0341-000](#) [015-0372-008](#) [015-8544-011](#) [017041-0005](#) [020419-0104](#) [012-0515-000](#) [012-9507-](#)
[034](#) [012-9507-114](#) [012-9534-001](#) [020745-0008](#) [609-25P](#) [M24308/2-23Z](#) [M243082310F](#) [M243082410F](#) [M243082411F](#) [M24308/4-21](#)
[CT1A18-11PSA206](#) [CT1N36-5SC](#) [CT2-16S-17PS](#) [CT2-20-15PCAU](#) [CT2-24-12PS](#) [CT2-24-28PSF127A206](#) [CT2-32-9PC](#) [CT6F9767-14-4-](#)
[14S-5PC](#) [CT6FA10SL-4PS](#) [CT7-18-10SC](#) [CT7-18-10SCAU](#) [CT7-18-12SCAU](#) [CT7-18-1PC](#) [CT7-18-1PCAU](#) [CT7-18-21SCAU](#) [M83513/01-](#)
[FC](#) [M83723/76W24619 L/C](#) [M85049/48-3-2F](#) [69001-865](#) [6STD09PCM99B70X](#) [6STD09SCM99B30X](#) [6STD09SCT99S40X](#)