

REMARK:
 1.CHARACTERISTICS:
 RATED VOLTAGE: 250V
 RATED CURRENT: 5AMP
 CONTACT RESISTANCE: 25mohms MAX.INITIAL;40mohmsMAX.AFTER.
 INSULATION RESISTANCE: 5000Mohms MIN.at 500V DC
 DIELECTRIC STRENGTH: 1000VRMS
 OPERATING TEMPERATURE RANGE: -55°C~105°C
 INSERTION/EXTRACTION FORCE PER CONTACT :5N Max./0.3N Min.
 MATING/UNMATING CYCLES :50MATINGS MIN.

2.MATERIAL:
 INSULATORS: BLACK GLASS-FILLED THERMOPLASTIC UL94V-0
 CONTACTS: COPPER ALLOY, SELECTIVE GOLD ON CONTACT AREA,
 100µ" Min MATTE TIN TOP OVER SOLDER AREA,
 30µ" Min NICKEL UNDER PLATE.
 SHELL: STEEL,100µ" Min NICKEL TOP OVER,
 50µ" Min COPPER UNDER PLATE.
 BOARD LOCK :COPPER ALLOY,100µ" Min MATTE TIN PLATED.

3. PART NUMBER DESCRIPTION:
10090099-S XX 4 X LF
 SERIES NO. _____
 TYPE _____
 S: SOCKET (FEMALE)
 NUMBER OF CONTACTS _____
 09: 9-PIN
 15: 15-PIN
 25: 25-PIN
 37: 37-PIN
 _____ LF: ROHS COMPLIANT
 _____ FLANGE MOUNTING OPTION
 _____ X: UNC #4-40 CLINCHNUTS
 _____ CONTACT FINISH
 4: GOLD FLASH

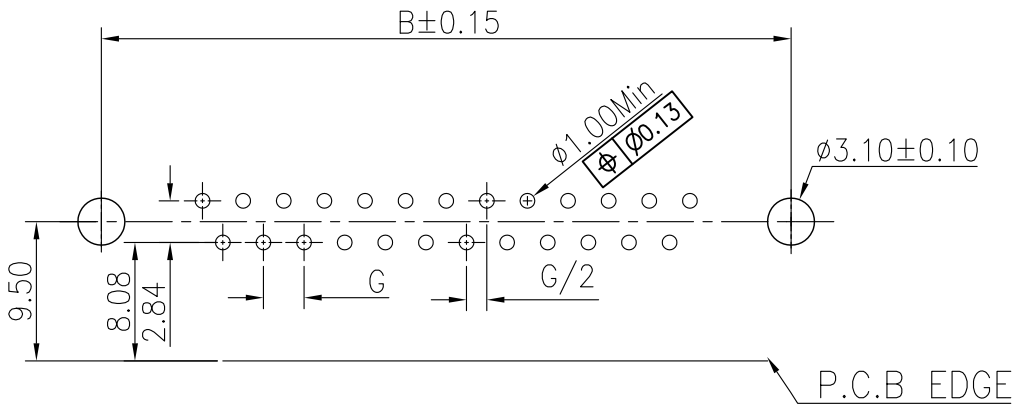
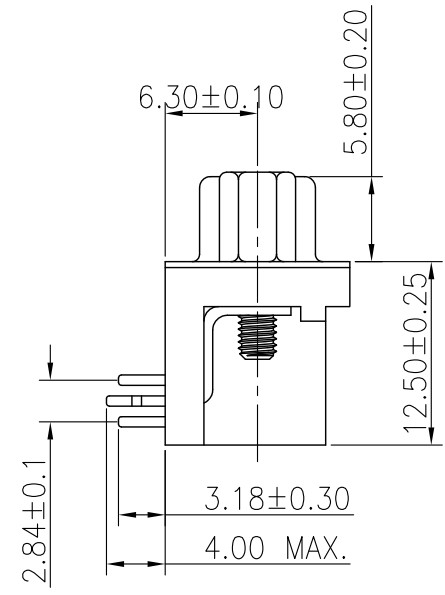
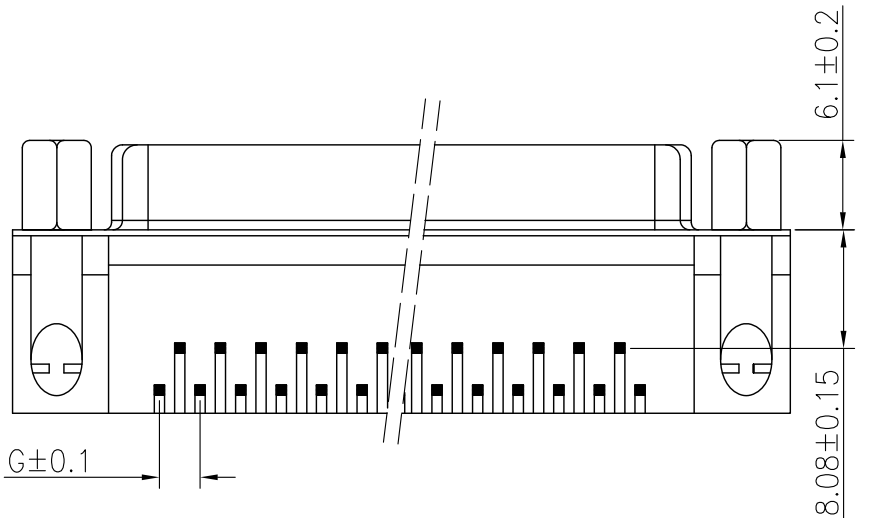
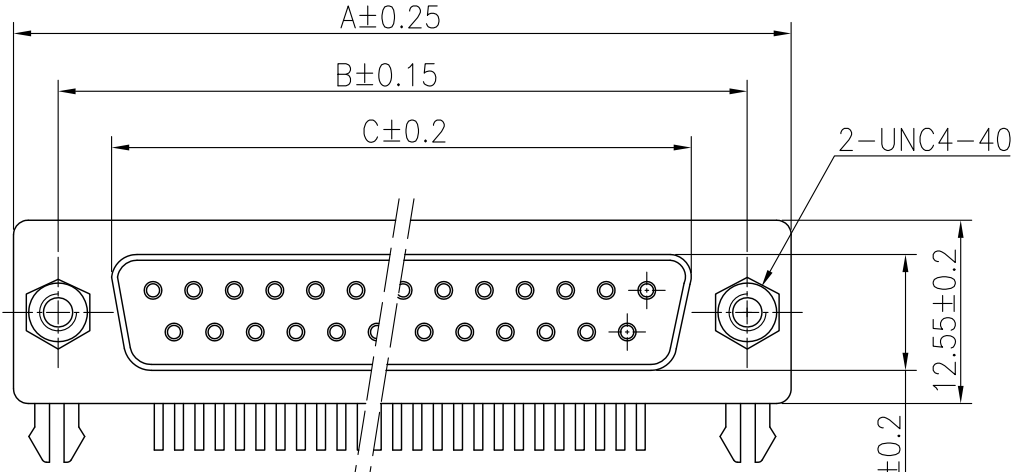
4. THE HOUSING WILL WITHSTAND EXPOSURE TO 260°C PEAK TEMPERATURE FOR 3.5 SECONDS IN A WAVE SOLDER APPLICATION WITH 1.6MM MIN. THICK PCB.

POS.	PART NO.	THREAD TYPE		
09P	10090099-S094XLF	UNC 4-40		
15P	10090099-S154XLF	UNC 4-40		
25P	10090099-S254XLF	UNC 4-40		
37P	10090099-S374XLF	UNC 4-40		
POS.	A	B	C	G
09P	30.81	24.99	16.33	2.74
15P	39.24	33.32	24.66	2.74
25P	53.04	47.04	38.38	2.77
37P	69.32	63.50	54.84	2.77

mat'l. code		surface		tolerance		projection		product family	
-		ISO 1302 ✓		ISO 406 ISO 101				D-SUB	
ltr		ecn no		dr		date		title	
F		ELX-I-17662-1		MP		2014/05/12		D-SUB FEMALE RIGHT ANGLE US STYLE	
F		ELX-I-17662-1		MP		2014/05/12		dwg no	
F		ELX-I-17662-1		MP		2014/05/12		sheet 1 of 2	
F		ELX-I-17662-1		MP		2014/05/12		size	
F		ELX-I-17662-1		MP		2014/05/12		A3	
F		ELX-I-17662-1		MP		2014/05/12		type	
F		ELX-I-17662-1		MP		2014/05/12		Product Customer Drawing	
sheet index		revision sheet		F		F			
1		2		1		2			



Copyright FCI



REMARK:
 1.CHARACTERISTICS:
 RATED VOLTAGE: 250V
 RATED CURRENT: 5AMP
 CONTACT RESISTANCE: 25mohms MAX.INITIAL ;40mohms MAX.AFTER
 INSULATION RESISTANCE: 5000Mohms MIN.at 500V DC
 DIELECTRIC STRENGTH: 1000VRMS
 OPERATING TEMPERATURE RANGE: -55℃~105℃
 INSERTION/EXTRACTION FORCE PER CONTACT :5N Max./0.3N Min.
 MATING/UNMATING CYCLES :50MATINGS MIN.

2.MATERIAL:
 INSULATORS: BLACK GLASS-FILLED THERMOPLASTIC UL94V-0,
 CONTACTS: COPPER ALLOY,SELECTIVE GOLD ON CONTACT AREA,
 100u" Min MATTE TIN TOP OVER SOLDER AREA,
 30u" Min NICKEL UNDER PLATE.
 SHELL: STEEL,100u" Min NICKEL TOP OVER,
 50u" Min COPPER UNDER PLATE.
 BOARD LOCK :COPPER ALLOY,100u" Min MATTE TIN PLATED.
 SCREW LOCK: COPPER ALLOY, 100u" Min BRIGHT NICKEL PLATED.

3. PART NUMBER DESCRIPTION:
10090099-S XX 4 V LF
 SERIES NO. _____
 TYPE _____
 S: SOCKET (FEMALE)
 NUMBER OF CONTACTS _____
 09: 9-PIN
 15: 15-PIN
 25: 25-PIN
 37: 37-PIN
 LF: ROHS COMPLIANT
 FLANGE MOUNTING OPTION
 V: UNC #4-40 SCREWLOCKS
 CONTACT FINISH
 4: FLASH GOLD

4. THE HOUSING WILL WITHSTAND EXPOSURE TO 260°C PEAK TEMPERATURE FOR 3.5 SECONDS IN A WAVE SOLDER APPLICATION WITH 1.6MM MIN. THICK PCB.

POS.	PART NO.	A	B	C	G
09P	10090099-S094VLF	30.81	24.99	16.33	2.74
15P	10090099-S154VLF	39.24	33.32	24.66	2.74
25P	10090099-S254VLF	53.04	47.04	38.38	2.77
37P	10090099-S374VLF	69.32	63.50	54.84	2.77

mat'l. code		surface		tolerance		projection		product family	
-		ISO 1302 ✓		ISO 406 ISO 101		101		D-SUB	
ltr		ecn no		dr		date		title	
F								D-SUB FEMALE RIGHT ANGLE US STYLE	
		angles		linear		MM		dwg no	
		0°±2'		.0±0.38		.00±0.25		sheet 2 of 2	
				.000±0.10		scale 1:1		size	
		dr		MITHUN PAUL		2014/05/12		10090099	
		enr		MITHUN PAUL		2014/05/12		A3	
		chr		MITHUN PAUL		2014/05/12		type	
		app		BIJU K PAUL		2014/05/12		Product Customer Drawing	
sheet index		revision sheet							



Copyright FCI

X-ON Electronics

Largest Supplier of Electrical and Electronic Components

Click to view similar products for [D-Sub Standard Connectors](#) category:

Click to view products by [Amphenol](#) manufacturer:

Other Similar products are found below :

[DCM37S732N](#) [DAM15P500](#) [DEV09S364GTLF](#) [DEM09P032N](#) [DDM50P732N](#) [DAM15S332N](#) [173109-2218](#) [173109-2466](#) [173109-2436](#)
[173109-2435](#) [56F706-005-LI](#) [56F711-015](#) [015-0341-000](#) [015-0372-008](#) [015-8544-011](#) [017041-0005](#) [020419-0104](#) [012-0515-000](#) [012-9507-](#)
[034](#) [012-9507-114](#) [012-9534-001](#) [020745-0008](#) [609-25P](#) [M24308/2-23Z](#) [M243082310F](#) [M243082410F](#) [M243082411F](#) [M24308/4-21](#)
[CT1A18-11PSA206](#) [CT1N36-5SC](#) [CT2-16S-17PS](#) [CT2-20-15PCAU](#) [CT2-24-12PS](#) [CT2-24-28PSF127A206](#) [CT2-32-9PC](#) [CT6F9767-14-4-](#)
[14S-5PC](#) [CT6FA10SL-4PS](#) [CT7-18-10SC](#) [CT7-18-10SCAU](#) [CT7-18-12SCAU](#) [CT7-18-1PC](#) [CT7-18-1PCAU](#) [CT7-18-21SCAU](#) [M83513/01-](#)
[FC](#) [M83723/76W24619 L/C](#) [M85049/48-3-2F](#) [69001-865](#) [6STD09PCM99B70X](#) [6STD09SCM99B30X](#) [6STD09SCT99S40X](#)