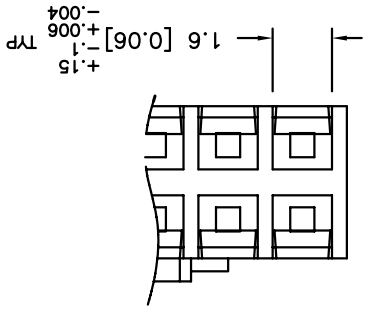
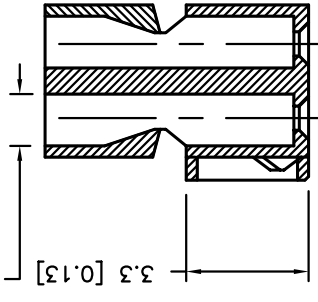
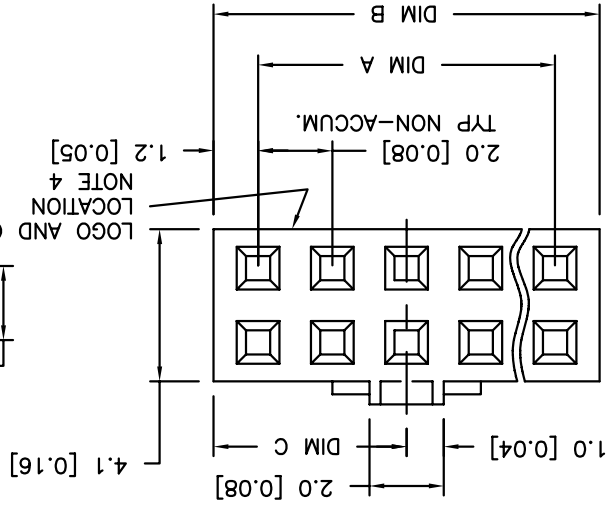
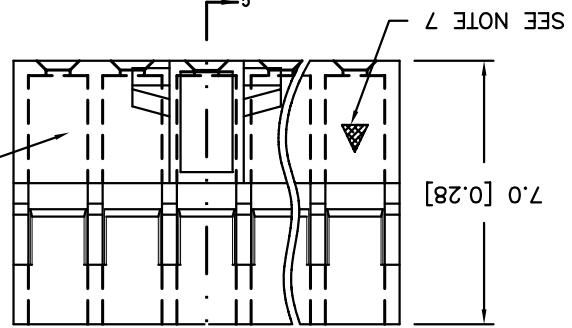


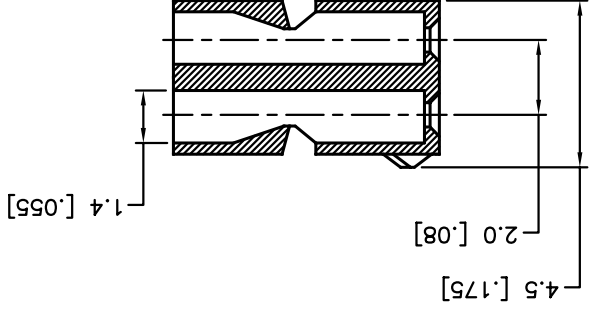
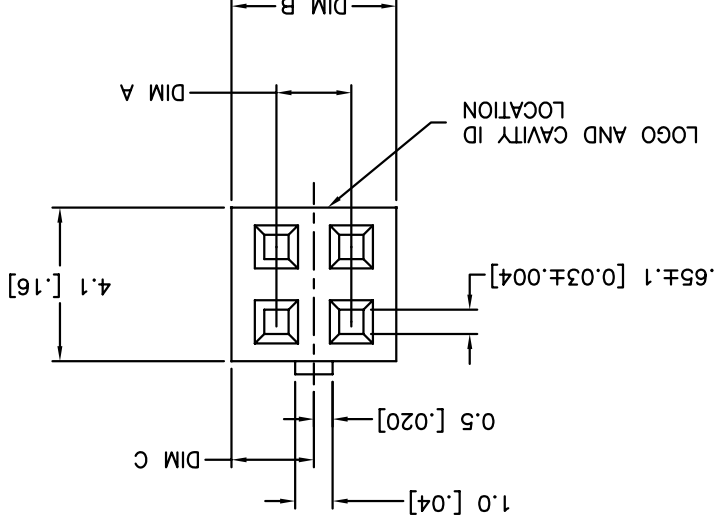
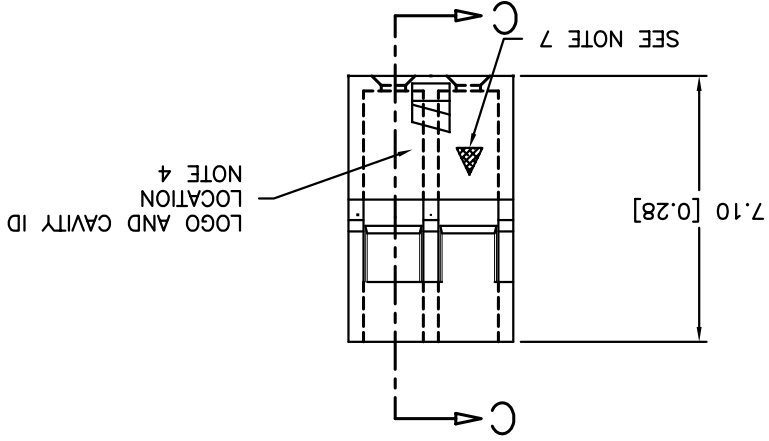
PRODUCT NUMBER  
SEE TABLE



mat'l code		SEE NOTE 1	
surface	tolerance	tolerances unless otherwise specified	✓
projection	MM/INCH	linear	angles
product family	MINITEK CTW HSG., DBL ROW	XXXX.XX/XXXX.XX	° F.2'
title	POLARIZATION & LATCHING	XX.X/XX.X.01	HTB 4/21/06
type	MINITEK CTW HSG., DBL ROW	XXXX.XX/XXXX.XX	A V06-0291
type	Product Customer Drawing	scale	5:1
sheet	revision	sheet	index
A	A	1	3
A	A	2	4
A	A	3	5
dr	T. BREWBAKER 4/21/06	dr	T. BREWBAKER 4/21/06
engr	T. BREWBAKER 4/21/06	appd	T. BREWBAKER 4/21/06
chr	T. BREWBAKER 4/21/06		
dwg no	10068573		
sheet 1 of 3 size	A3		
product family	MINITEK HOUSINGS		

PRODUCT NUMBER  
10068573-004LF

SEE NOTE 2

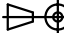


mat'l code		SEE NOTE 1		surface	tolerance	projection	product family	MINITEK HOUSINGS	
lfr	ech no	dr	date	tolerances unless otherwise specified				MINITEK CTW HSG., DBL ROW POLARIZATION & LATCHING	
angles	linear	0±.2°		.XX±.3 / .XX±.01 .XXX±.13 / .XXX±.005 .XXX±.05 / .XXX±.005				MM/INCH	scale
dr	T. BREWBAKER		4/21/06	surface		dwg no		sheet 2 of 3 size	
eng'r	T. BREWBAKER		4/21/06	type		10068573		A3	
chr	T. BREWBAKER		4/21/06	type		Product Customer Drawing			
app'd	T. BREWBAKER		4/21/06	revision		sheet		index	

PRODUCT NUMBER	POS.	DIM A	DIM B	DIM C	LATCHING
10068573-004LF	2 x 2	2.0/.08	4.4/.17	2.2/.09	1 (SHEET 2)
10068573-006LF	2 x 3	4.0/.16	6.4/.25	3.2/.13	2 (SHEET 1)
10068573-008LF	2 x 4	6.0/.24	8.4/.33	4.2/.17	2 (SHEET 1)
10068573-010LF	2 x 5	8.0/.32	10.4/.41	5.2/.21	2 (SHEET 1)
10068573-012LF	2 x 6	10.0/.39	12.4/.49	6.2/.24	2 (SHEET 1)
10068573-014LF	2 x 7	12.0/.47	14.4/.57	7.2/.28	2 (SHEET 1)
10068573-016LF	2 x 8	14.0/.55	16.4/.65	8.2/.32	2 (SHEET 1)
10068573-018LF	2 x 9	16.0/.63	18.4/.72	9.2/.36	2 (SHEET 1)
10068573-020LF	2 x 10	18.0/.71	20.4/.80	10.2/.40	2 (SHEET 1)
10068573-022LF	2 x 11	20.0/.79	22.4/.88	11.2/.44	2 (SHEET 1)
10068573-024LF	2 x 12	22.0/.87	24.4/.96	12.2/.48	2 (SHEET 1)
10068573-026LF	2 x 13	24.0/.95	26.4/1.04	13.2/.52	2 (SHEET 1)
10068573-028LF	2 x 14	26.0/1.02	28.4/1.12	14.2/.56	2 (SHEET 1)
10068573-030LF	2 x 15	28.0/1.10	30.4/1.20	15.2/.60	2 (SHEET 1)
10068573-032LF	2 x 16	30.0/1.18	32.4/1.28	16.2/.64	2 (SHEET 1)
10068573-034LF	2 x 17	32.0/1.26	34.4/1.35	17.2/.68	2 (SHEET 1)
10068573-036LF	2 x 18	34.0/1.34	36.4/1.43	18.2/.72	2 (SHEET 1)
10068573-038LF	2 x 19	36.0/1.42	38.4/1.51	19.2/.76	2 (SHEET 1)
10068573-040LF	2 x 20	38.0/1.50	40.4/1.59	20.2/.80	2 (SHEET 1)
10068573-042LF	2 x 21	40.0/1.58	42.4/1.67	21.2/.83	2 (SHEET 1)
10068573-044LF	2 x 22	42.0/1.65	44.4/1.75	22.2/.87	2 (SHEET 1)
10068573-046LF	2 x 23	44.0/1.73	46.4/1.83	23.2/.91	2 (SHEET 1)
10068573-048LF	2 x 24	46.0/1.81	48.4/1.91	24.2/.95	2 (SHEET 1)
10068573-050LF	2 x 25	48.0/1.89	50.4/1.98	25.2/.99	2 (SHEET 1)

NOTE

- ① MATERIAL : NYLON 6 UL94V-0  
COLOR : BLACK
- ② SHEET 2 SHOWS THE SINGULAR LATCHING  
FEATURE CONFINED TO THE 2 X 2.
- ③ FOR USE WITH MINITEK LATCHING HEADERS  
WHEN MATING AND UNMATING THE FORCES  
WILL BE APPROX. 2.2LBS/Kg GREATER THAN  
THE FORCES DETAILED IN 110-036, PAR. 3.5.3.5
- ④ LOGO AND CAVITY ID LOCATION ARE TO BE  
DETERMINED BY MANUFACTURER.
- ⑤ PRODUCT MEETS EUROPEAN UNION DIRECTIVES AND OTHER  
COUNTRY REGULATIONS AS DESCRIBED IN GS-22-008.
- ⑥ THE PRODUCT IS NOT INTENDED TO BE EXPOSED TO  
MANUFACTURING SOLDER PROCESSES.
- ⑦ THE TRIANGLE POSITION INDICATOR REPRESENTS THE  
CORRESPONDING NUMBER ONE POSITION RELATIVE TO  
MATING HEADERS.

mat'l code		SEE NOTE 1		surface		tolerance		projection		product family		MINITEK HOUSINGS	
ltr	ech no	dr	date	tolerances unless otherwise specified						MINITEK CTW HSG., DBL ROW			
A				angles	linear	<small>XXX.X/XXX.X,005</small> <small>XXX.X/XXX.X,01</small>		MM/INCH		POLARIZATION & LATCHING			
				∅.72		<small>XXX.X/XXX.X,005</small> <small>XXX.X/XXX.X,005</small>		scale 5:1		sheet 3 of 3 size			
				dr	eng'r	chk	app'd	FCI		10068573			
								type		Product Customer Drawing			
								revision		sheet			
								index					



FCIconnect.com

Copyright FCI

## X-ON Electronics

Largest Supplier of Electrical and Electronic Components

*Click to view similar products for [Headers & Wire Housings](#) category:*

*Click to view products by [FCT Electronics](#) manufacturer:*

Other Similar products are found below :

[95000-104TRLF](#) [10135584-644402LF](#) [DF62W-EP2022PCA](#) [95000-106TRLF](#) [DF62W-2022SCA](#) [DF62W-EP2022PC](#) [2203348](#) [DF62W-2022SC](#) [1084018](#) [1029039](#) [1084017](#) [802-10-012-10-002000](#) [1112640](#) [1112639](#) [891-007-9SS-BST1T](#) [000-34000](#) [0008550134](#) [0009482033](#) [0009507031](#) [57102-F02-18ULF](#) [57102-S06-03LF](#) [57202-S52-04LF](#) [PCN6-15S-2.5E](#) [0039019024](#) [58102-G61-06LF](#) [582553-1](#) [0009485154](#) [0009508121](#) [0022285053](#) [0050291907](#) [018731A](#) [LY20-4P-DT1-P1E-BR](#) [02.125.8002.8](#) [60101931](#) [60598-1 \(Cut Strip\)](#) [M1625-3R/100](#) [61062-3](#) [61082-181009](#) [CSU011177004](#) [636-1427](#) [638009-1](#) [641938-9](#) [641991-4](#) [644168-1](#) [644827-2](#) [647662-1](#) [65039-019ELF](#) [65692-001LF](#) [65781-018](#) [65781-047](#)