

PRODUCT NUMBER

10118884-XXX-YYY XXXXLF

LEAD FREE (SEE NOTE 1,10)

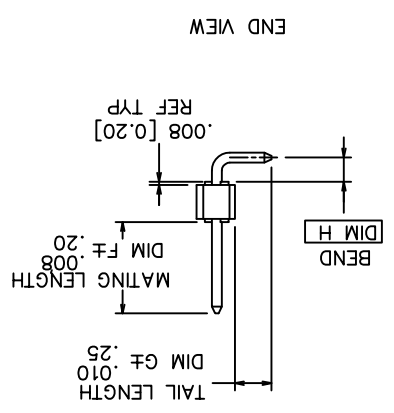
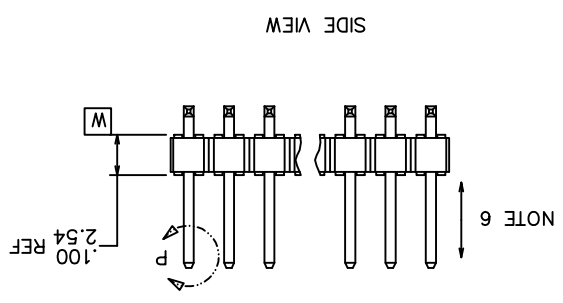
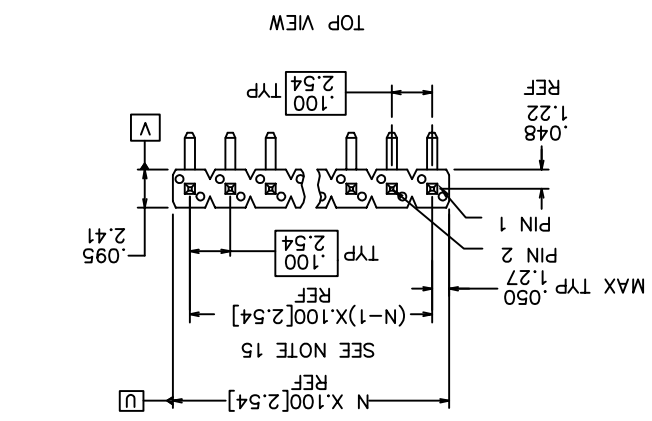
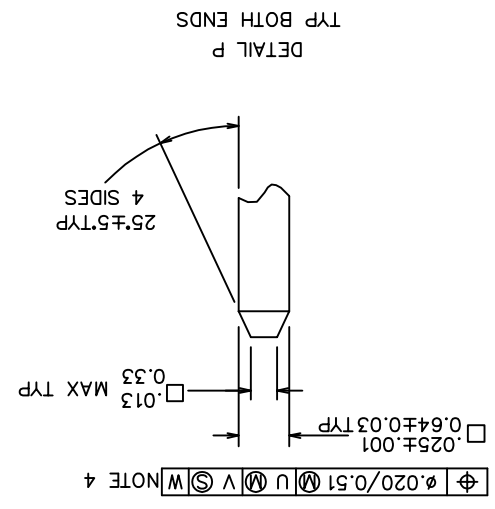
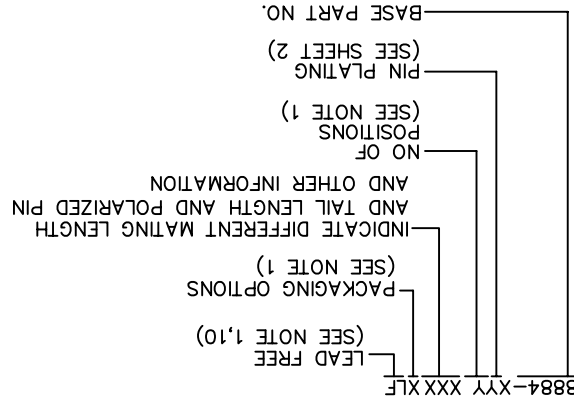
PACKAGING OPTIONS (SEE NOTE 1)

INDICATE DIFFERENT MATING LENGTH AND TAIL LENGTH AND POLARIZED PIN AND OTHER INFORMATION

NO OF POSITIONS (SEE NOTE 1)

PIN PLATING (SEE SHEET 2)

BASE PART NO.



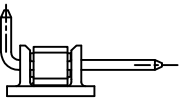
mat'l. code		NOTE 2 & 3		surface tolerance		ISO 1302		ISO 406		ISO 1101	
itr		ecn no		date		tolerances unless otherwise specified		projection		product family	
A		--		JZ		2011-10-21		INCH/MM		BERGSTIK	
B		ELX-N-13546		DCS		2012-11-28		angles		BERGSTIK II HEADER D/R	
C		ELX-N-16730		ZK		2013-10-13		inclin		.100/2.54cc SR R/A	
D		ELX-N-16730		ZK		2014-01-15		XXXXF0020/XXXX.051		scale 2:1	
E		ELX-N-17811		ZK		2014-05-30		XXXXF01/XX.3		dwg no	
F		ELX-N-19815		JH		2014-12-22		XXXXF0020/XXXX.051		10118884	
G		ELX-N-23120		MZ		2016-01-25		XXXXF0020/XXXX.051		sheet 1 of 3 size	
sheet revision		G		G		G		XXXXF0020/XXXX.051		type	
index sheet		1		2		3		XXXXF0020/XXXX.051		Product Customer Drawing	

1. PART NUMBER OPTIONS:
PIN PLATING CODES (SEE ABOVE)
HIGH TEMP. MATERIAL:
PART NUMBERS WILL BE SUPPLIED WITH HIGH TEMPERATURE PLASTIC.
NUMBER OF POSITION:
ANY NUMBER OF POSITIONS FROM 1 THRU 36.
PACKAGING:
PACKAGED IN POLY BAGS.
THE FIFTEENTH DIGIT PART NUMBERS FOLLOWED BY A "T" ARE PACKAGED IN TUBES.
THE FIFTEENTH DIGIT PART NUMBERS FOLLOWED BY A "A" ARE PACKAGED IN TAPE AND REEL WITH CAP(DETAIL AS FIGURE 1).
LEAD FREE:
ADD "LF" SUFFIX AT THE END OF PART NUMBER FOR LEAD FREE.
2. BODY MATERIAL:
MANUFACTURER'S OPTION OF NYLON OR PCT, GLASS FIBER REINFORCED, OR LCP MINERAL FILLED FLAME RETARDENT PER UL-94V-0. COLOR: BLACK.
PART NUMBERS WILL WITHSTAND EXPOSURE TO 260°C PEAK TEMPERATURE FOR 20 SECONDS IN WAVE SOLDER, INFRA-RED OR VAPOR PHASE SOLDER PROCESS.
3. PIN MATERIAL: PHOS-BRONZE.
4. MEASURED WITH PART IN RESTRAINED CONDITION.
5. TWO SIDES OF PIN TIPS NOT PLATED. TYPICAL BOTH ENDS.
6. 2LBS/0.9KG MIN PIN RETENTION IN EITHER DIRECTION.
7. MILITARY BERGSTIK HEADER
P/N XXXXX-XY-MIL
NOT AVAILABLE.
8. THESE PRODUCTS MEETS EUROPEAN UNION DIRECTIVES AND OTHER COUNTRY REGULATION AS DESCRIBED IN GS-22-008.

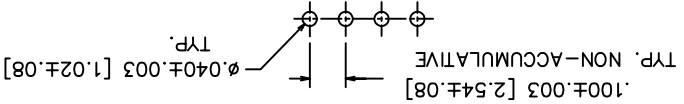
NOTES

PIN PLATING CODES:	
10118884-1YXXXL	30u"/0.76u MIN (SEE NOTE 9) OVER 50u"/1.27u MIN NI!
10118884-2YXXXL	15u"/0.38u MIN (SEE NOTE 9) OVER 50u"/1.27u MIN NI!
10118884-3YXXXL	50u"/1.27u MIN (SEE NOTE 9) OVER 50u"/1.27u MIN NI!
10118884-4YXXXL	100u"/2.54u MIN Sn OVER 50u"/1.27u MIN NI (SEE NOTE 10)
10118884-5YXXXL	30u"/0.76u MIN Au OVER 50u"/1.27u MIN NI
10118884-6YXXXL	15u"/0.38u MIN Au OVER 50u"/1.27u MIN NI
10118884-7YXXXL	15u"/0.38u MIN GXT OVER 50u"/1.27u MIN NI
10118884-8YXXXL	30u"/0.76u MIN GXT OVER 50u"/1.27u MIN NI

9. PLATING OPTIONS:
MAY BE EITHER GOLD OR GXT PLATED AT MANUFACTURER'S OPTION.
10. THIS PRODUCT HAS 100% TIN PLATING IN THE INTERFACE AND HAS NOT BEEN TESTED FOR WHISKER GROWTH IN ALL INTERCONNECT ENVIRONMENTS.
11. THE OAL DON'T EXCEED 31mm
- 12 INCREMENTS BY 0.1mm IN LENGTHS ONLY
13. FOR SPECIAL PACKAGING REQUEST PLEASE CONTACT PRODUCT MANAGER FOR AVAILABILITY
14. BEND DIMENSIONS AT 1.5mm , CAN BE UPDATED PER CUSTOMER REQUEST.
15. TO DETERMINE DIMENSIONS:
N=NUMBER OF POSITION PER ROW
EXAMPLE: 10 POS. N X .100/2.54



CAP ASSEMBLY SKETCH
FIGURE 1



RECOMMENDED HOLE PATTERN

mat'l. code	NOTE 2 & 3	surface	ISO 1302	tolerance	ISO 406	projection	product family	BERGSTIK
ltr	ecn no	dr	date	tolerances unless otherwise specified	XXXX01/XX.3		title	BERGSTIK II HEADER D/R
g	angles	in	near	XXXX0.006/XXXX.13		INCH/MM	scale	2:1
	dr	J ZHOU	2011-10-21			dwg no	sheet 2 of 3 size	A3
	engr	J ZHOU	2011-10-21			type	Product Customer Drawing	
	chr	J ZHOU	2011-10-21					
	appd	J ZHOU	2011-10-21					

PRODUCT NUMBER	MATING LENGTH		TAIL LENGTH		BEND DIM		POLARIZED	LF
	DIM F	DIM F	DIM G	DIM G	DIM H	DIM H		
10118884-XYY011LF	0.230	5.84	0.295	7.49	0.060	1.52	-	NOTE 1,10
10118884-XYY022LF	0.244	6.20	0.120	3.05	0.060	1.52	2,3,4	NOTE 1,10
10118884-XYY003LF	0.138	3.50	0.238	6.05	0.060	1.52	2,3,4	NOTE 1,10
10118884-XYY004LF	0.230	5.84	0.120	3.05	0.060	1.52	-	NOTE 1,10
10118884-XYY005LF	0.157	4.00	0.238	6.05	0.060	1.52	-	NOTE 1,10
10118884-XYY006LF	0.300	7.62	0.120	3.05	0.060	1.52	-	NOTE 1,10
10118884-XYY007LF	0.230	5.84	0.090	2.29	0.060	1.52	-	NOTE 1,10
10118884-XYY008LF	0.230	5.84	0.390	9.91	0.060	1.52	-	NOTE 1,10
10118884-XYY009LF	0.318	8.08	0.120	3.05	0.060	1.52	-	NOTE 1,10
10118884-XYY010LF	0.230	5.84	0.590	14.99	0.060	1.52	-	NOTE 1,10
10118884-XYY011LF	0.157	4.00	0.238	6.05	0.060	1.52	2,3,4,5	NOTE 1,10
10118884-XYY012LF	0.157	4.00	0.238	6.05	0.060	1.52	2,3,4,5	NOTE 1,10
10118884-XYY013LF	0.138	3.50	0.238	6.05	0.060	1.52	2,3,4,5	NOTE 1,10
10118884-XYY014LF	0.359	9.12	0.118	3.00	0.157	4.0	-	NOTE 1,10

mat'l. code		NOTES 2 & 3		surface 58		tolerance ISO 406		ISO 1101		tolerances unless otherwise specified	
ltr	ecn no	dr	date	angles		inclin		xxxx01/xx.3		xxxx0.005/xxxx.13	
D	ELX-N-16730	ZK	2014-01-15	0°±2°		0°±2°		xxxx0.002/xxxx.05		scale 2:1	
E	ELX-N-17811	ZK	2014-05-30	0°±2°		0°±2°		xxxx0.002/xxxx.05		scale 2:1	
F	ELX-N-19815	JH	2014-12-22	0°±2°		0°±2°		xxxx0.002/xxxx.05		scale 2:1	
G	ELX-N-23120	MZ	2016-01-25	0°±2°		0°±2°		xxxx0.002/xxxx.05		scale 2:1	
c	ELX-N-23120	MZ	2016-01-25	0°±2°		0°±2°		xxxx0.002/xxxx.05		scale 2:1	
eng	J ZHOU	2011-10-21		0°±2°		0°±2°		xxxx0.002/xxxx.05		scale 2:1	
chr	J ZHOU	2011-10-21		0°±2°		0°±2°		xxxx0.002/xxxx.05		scale 2:1	
ppd	J ZHOU	2011-10-21		0°±2°		0°±2°		xxxx0.002/xxxx.05		scale 2:1	
sheet	revision	G	G	0°±2°		0°±2°		xxxx0.002/xxxx.05		scale 2:1	
index	sheet	1	2	0°±2°		0°±2°		xxxx0.002/xxxx.05		scale 2:1	

product family		BERGSTIK		projection		INCH/MM		scale 2:1		sheet 3 of 3 size	
title		BERGSTIK II HEADER D/R		INCH/MM		scale 2:1		sheet 3 of 3 size		sheet 3 of 3 size	
type		Product Customer Drawing		10118884		A3		sheet 3 of 3 size		sheet 3 of 3 size	

X-ON Electronics

Largest Supplier of Electrical and Electronic Components

Click to view similar products for [Headers & Wire Housings](#) category:

Click to view products by [FCT Electronics](#) manufacturer:

Other Similar products are found below :

[95000-104TRLF](#) [10135584-644402LF](#) [DF62W-EP2022PCA](#) [95000-106TRLF](#) [DF62W-2022SCA](#) [DF62W-EP2022PC](#) [2203348](#) [DF62W-2022SC](#) [1084018](#) [1029039](#) [1084017](#) [802-10-012-10-002000](#) [1112640](#) [1112639](#) [891-007-9SS-BST1T](#) [000-34000](#) [0008550134](#) [0009482033](#) [0009507031](#) [57102-F02-18ULF](#) [57102-S06-03LF](#) [57202-S52-04LF](#) [PCN6-15S-2.5E](#) [0039019024](#) [58102-G61-06LF](#) [582553-1](#) [0009485154](#) [0009508121](#) [0022285053](#) [0050291907](#) [018731A](#) [LY20-4P-DT1-P1E-BR](#) [02.125.8002.8](#) [60101931](#) [60598-1 \(Cut Strip\)](#) [M1625-3R/100](#) [61062-3](#) [61082-181009](#) [CSU011177004](#) [636-1427](#) [638009-1](#) [641938-9](#) [641991-4](#) [644168-1](#) [644827-2](#) [647662-1](#) [65039-019ELF](#) [65692-001LF](#) [65781-018](#) [65781-047](#)