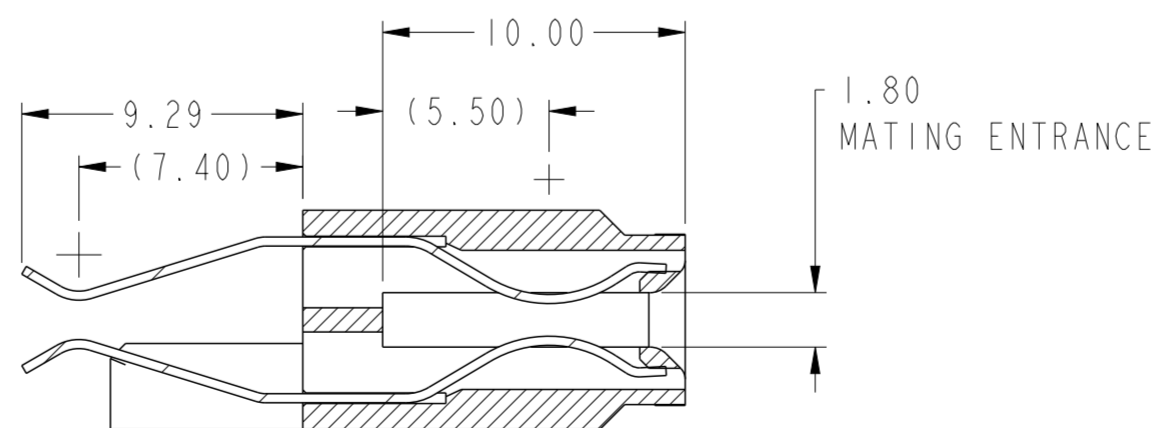


SECTION A-A

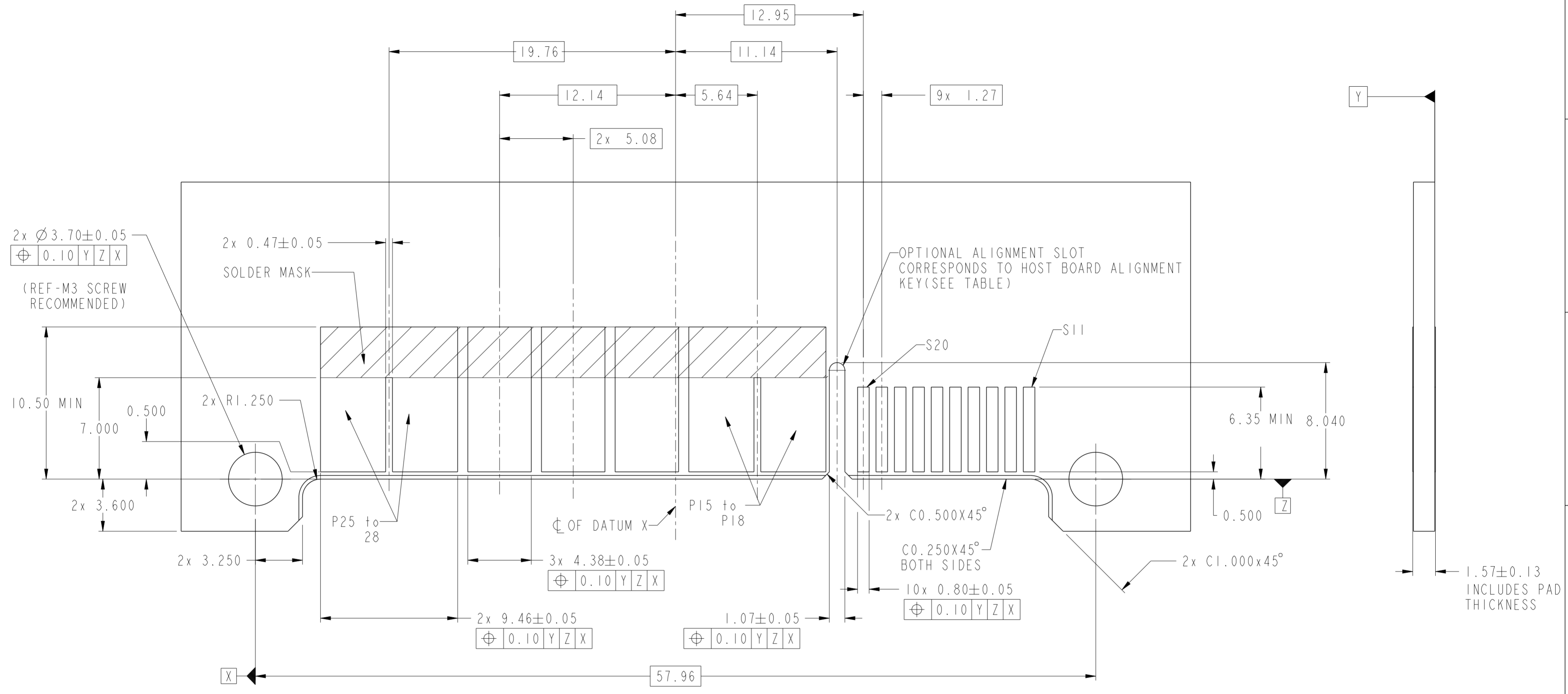


SECTION B-B

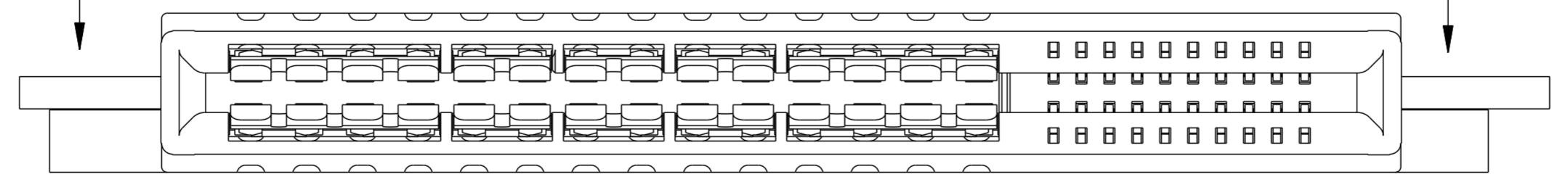
| REV | ECN NO. | DR | DATE |
|-----|---------|------|------------|
| A | --- | ERIC | 2013-04-02 |
| | | | |
| | | | |
| | | | |

| | | | | | | | | | | |
|---------------|---------------------------------------|-------------|----------------|--|------------|----------|------|------------------------|---------------------------------------|------------|
| spec ref | - | dr | Wei-Long Zhang | 2012/09/25 | projection | MM | size | A2 | scale | 4:1 |
| tolerance std | ISO 406 ISO 1101 | eng | Eric Jiang | 2013/04/02 | | | | | TOLERANCES UNLESS OTHERWISE SPECIFIED | |
| surface | ISO 1302 | chr | - | appr | | | | | Pai-Ming Zheng | 2013/04/02 |
| linear | 0.X ±0.5 0.XX ±0.25 0.XXX ±0.10 | | | STRADDLE MT 28P+20S HIGH POWER CARD EDGE-ENHANCED WALL | | cat. no. | - | Product - Customer Drw | sheet 1 of 4 | |
| angular | 0° ±2° | www.fci.com | | | | cat. no. | - | Product - Customer Drw | sheet 1 of 4 | |





**RECOMMENDED HOST BOARD LAYOUT
AS VIEWED**



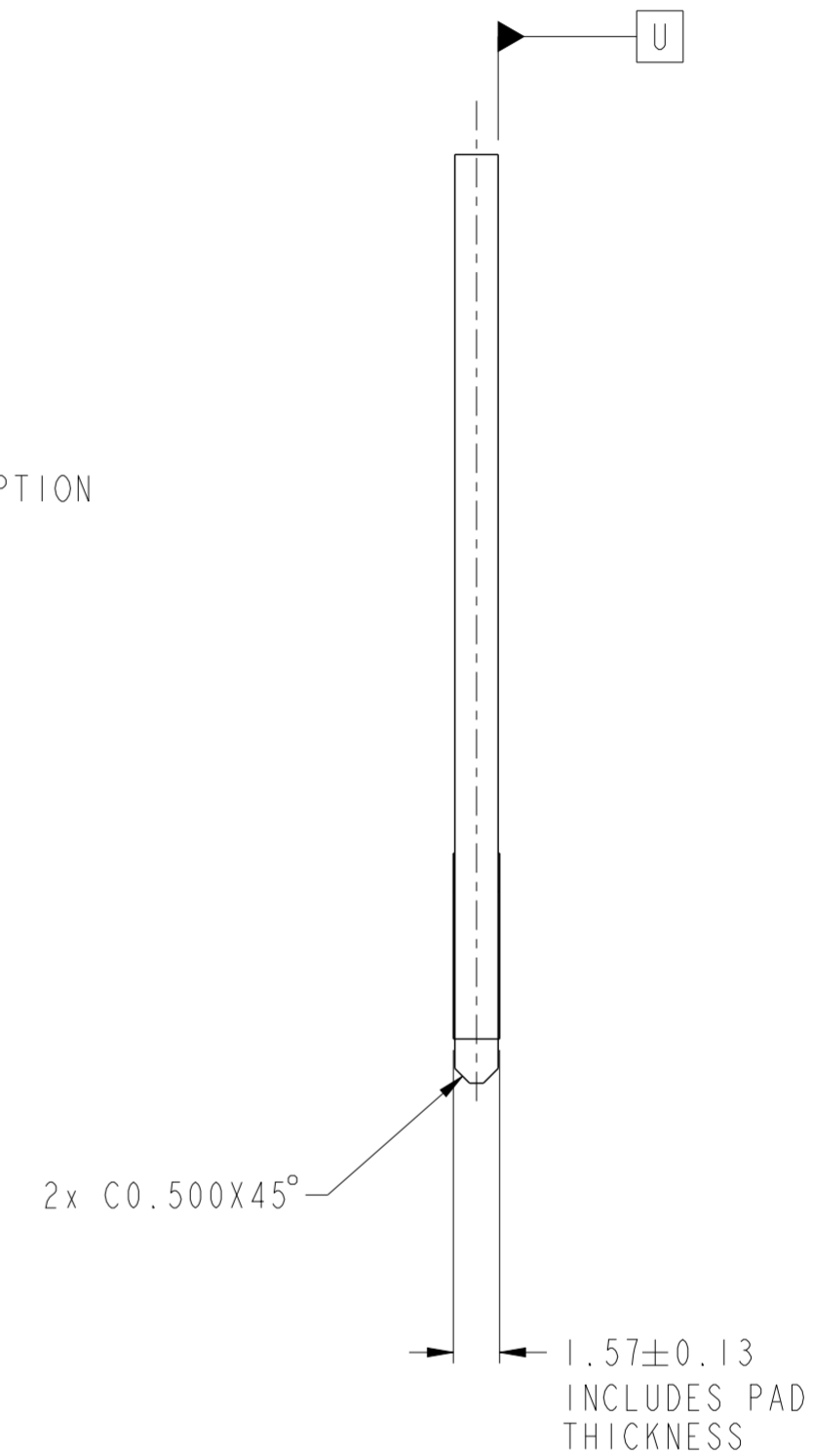
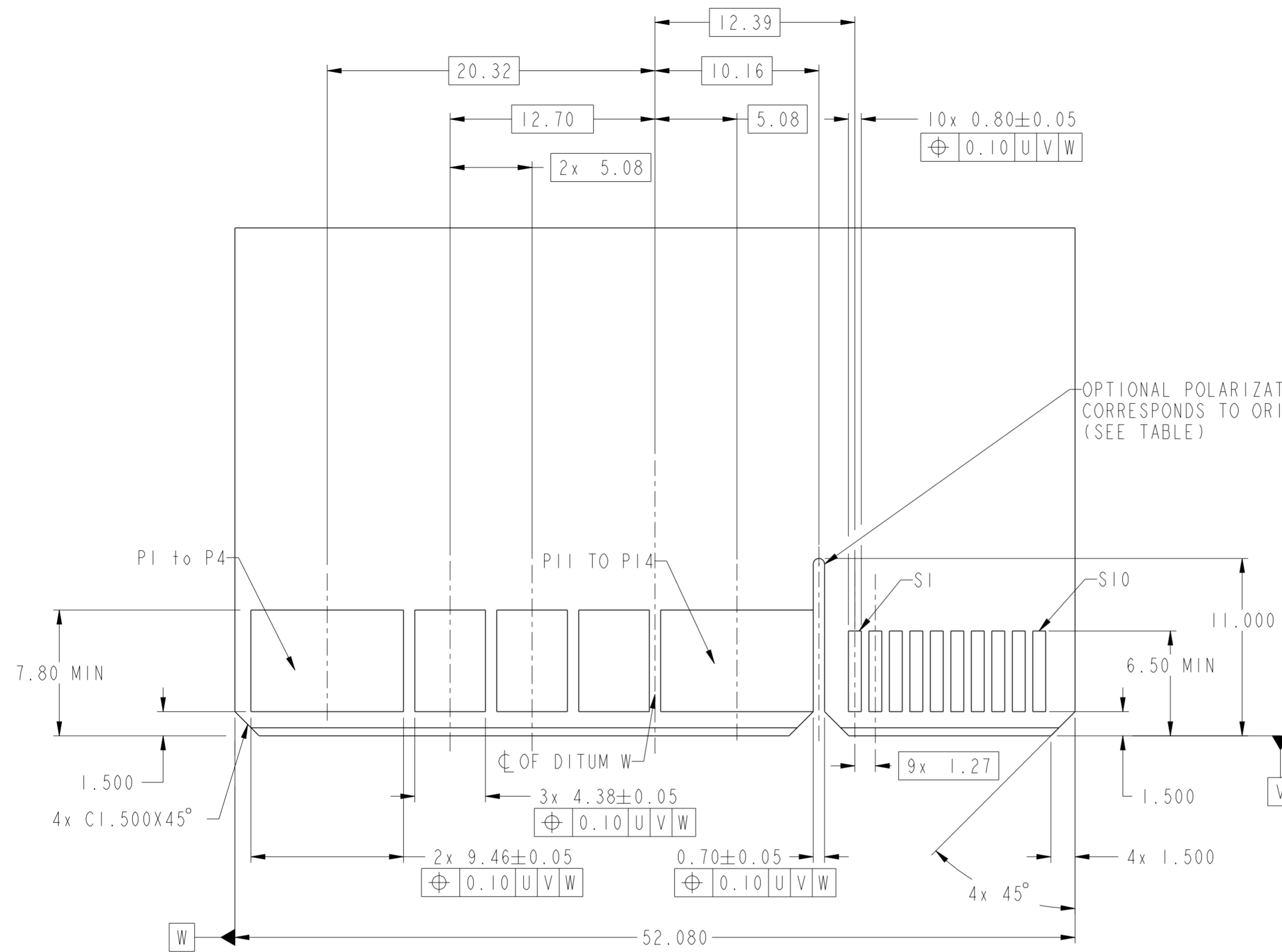
| | | | | | | | | |
|-------------|----------------|------------|------------|----|------------------------|---------------------|--------------|----------|
| dr | Wei-Long Zhang | 2012/09/25 | projection | MM | size | A2 | scale | 4:1 |
| eng | Eric Jiang | 2013/04/02 | | | ecn no. | - | rel level | Released |
| chr | - | - | | | product family | CARD EDGE | | |
| appr | Pei-Ming Zheng | 2013/04/02 | | | title | STRADDLE MT 28P+20S | | rev |
| | | | | | dwg no. | 10122859 | | A |
| www.fci.com | | | cat. no. | | Product - Customer Drw | | sheet 2 of 4 | |

PDS: Rev :A

STATUS:Released

Printed: Apr 02, 2013

Copyright FCI. FCI

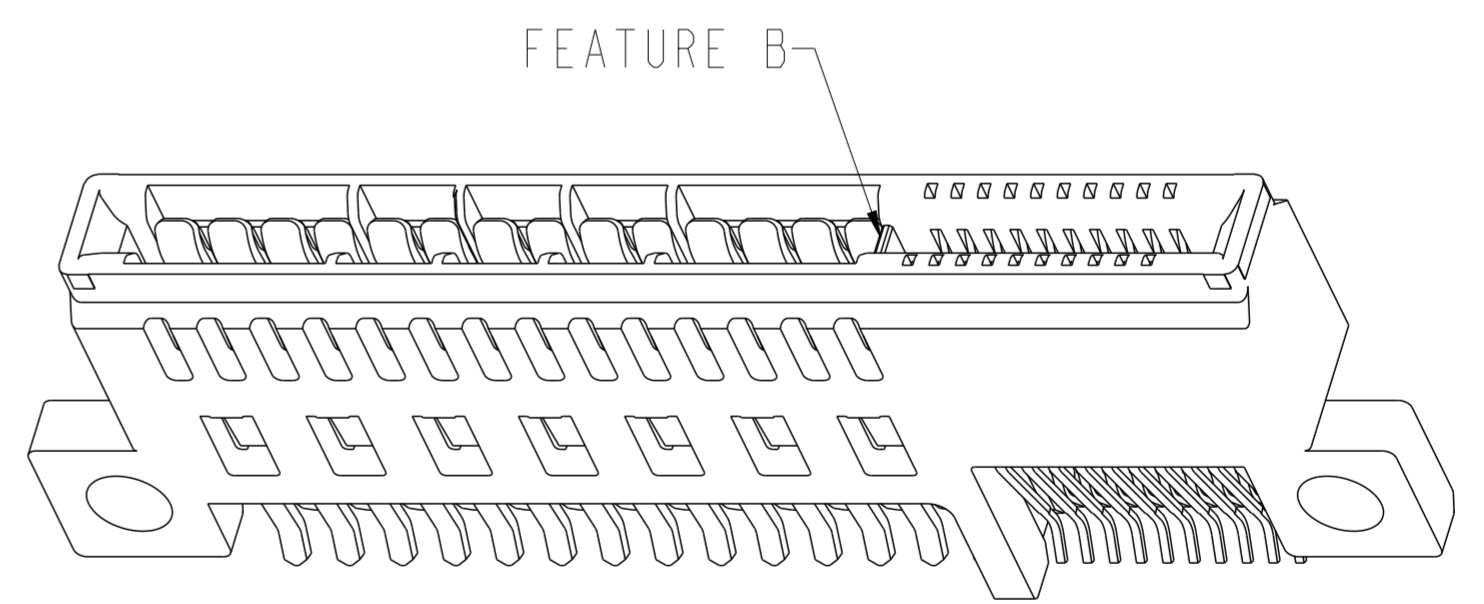
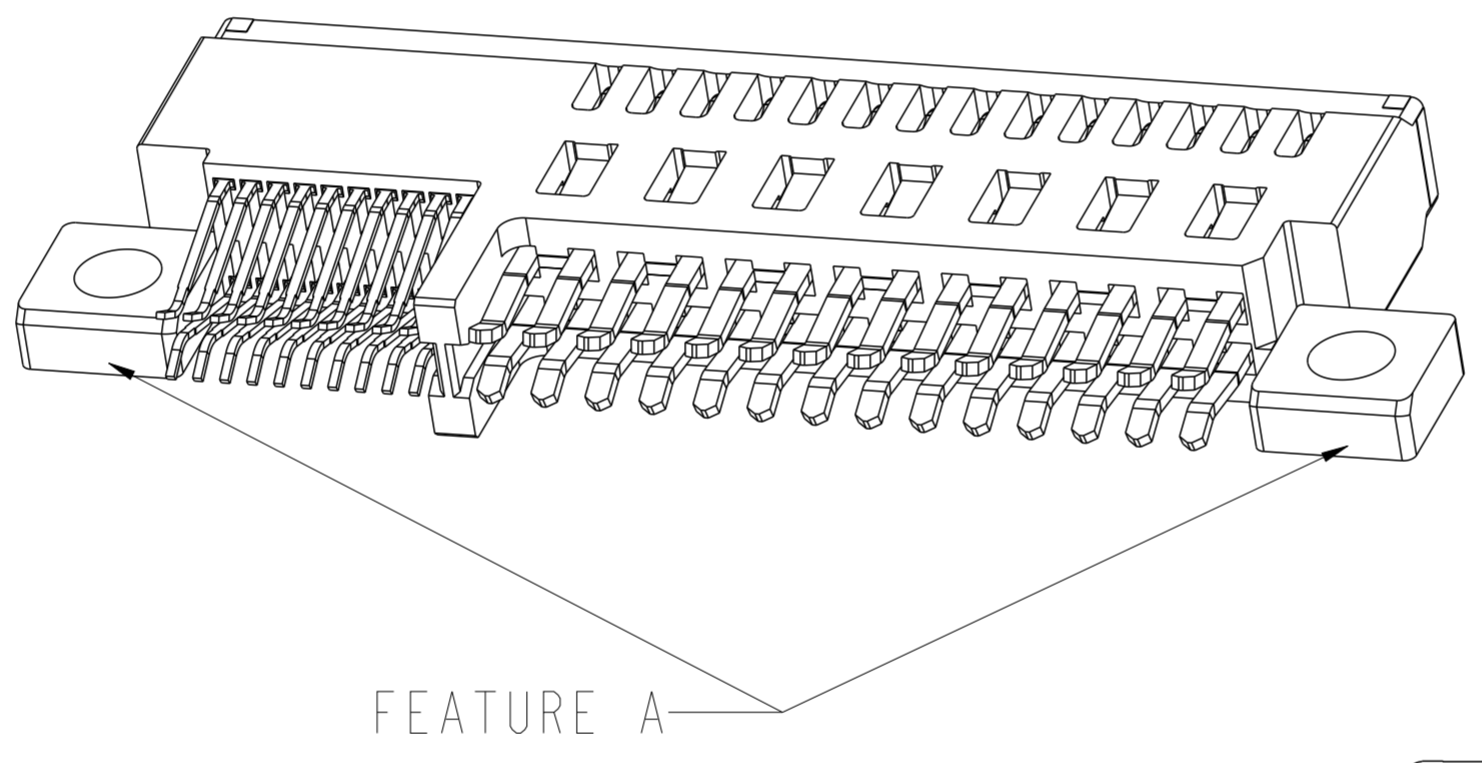
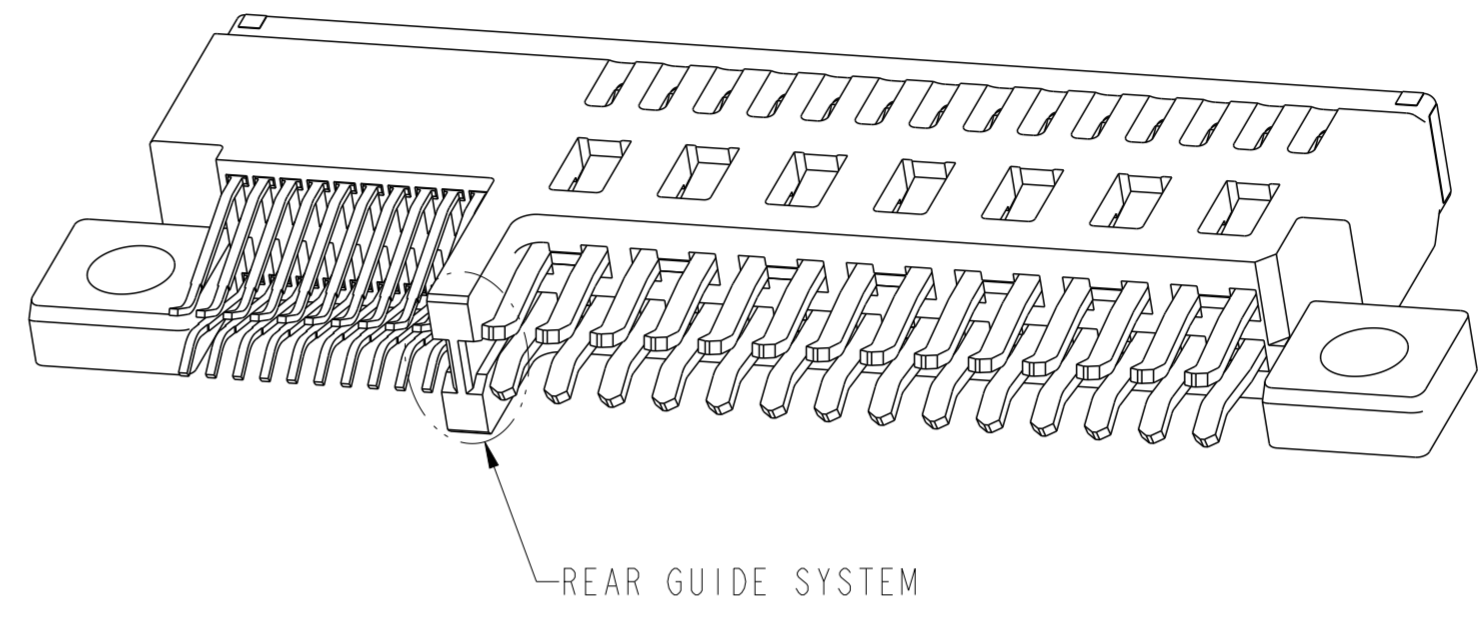


RECOMMENDED MATING BOARD FOOTPRINT

OPTIONAL POLARIZATION SLOT
CORRESPONDS TO ORIENTATION KEY OPTION
(SEE TABLE)

| | | | | | | | | |
|------|----------------|------------|-------------|----|----------------|---------------------|------------------------|--------------|
| dr | Wei-Long Zhang | 2012/09/25 | projection | MM | size | A2 | scale | 4:1 |
| eng | Eric Jiang | 2013/04/02 | | | ecn no. | - | rel level | |
| chr | - | - | | | Product family | CARD EDGE | rel level | Released |
| appr | Pei-Ming Zheng | 2013/04/02 | | | title | STRADDLE MT 28P+20S | | rev |
| | | | www.fci.com | | cat. no. | - | Product - Customer Drw | sheet 3 of 4 |
| | | | | | divg no. | 10122859 | | A |

| PART NUMBER | REAR GUIDE SYSTEM | FEATURE A MOUNTING EARS | FEATURE B FRONT POLARIZATION KEY |
|----------------|-------------------|-------------------------|----------------------------------|
| 10122859-009LF | YES | YES | NO |
| 10122859-010LF | | YES | YES |
| 10122859-011LF | | NO | NO |
| 10122859-012LF | NO | NO | YES |
| 10122859-013LF | | YES | NO |
| 10122859-014LF | | YES | YES |
| 10122859-015LF | | NO | NO |
| 10122859-016LF | | NO | YES |



NOTES:

1. CONNECTOR MATERIALS:
 HOUSING: HIGH TEMPERATURE THERMAL PLASTIC, BLACK
 UL 94V-0 COMPLIANT
 CONTACTS: HIGH PERFORMANCE COPPER ALLOY.
2. CONTACT FINISH REF. GS-12-604 SECTION 5.2.
3. PRODUCT SPECIFICATION: GS-12-604.
4. APPLICATION SPECIFICATION: GS-20-128.
5. PRODUCT MARKING (FCI - PART NUMBER & DATE CODE) ON HOUSING IN AREA SHOWN.
6. PACKAGING MEETS FCI SPECIFICATION GS-14-937.
7. HOUSING COMPONENT WILL WITHSTAND EXPOSURE TO 260°C PEAK TEMPERATURE FOR 60 SECONDS IN A CONVECTION, INFRA-RED, OR VAPOR PHASE REFLOW OVEN.
8. HOST BOARD ALIGNMENT KEY IS RECOMMENDED TO ENSURE PROPER ALIGNMENT OF SOLDER TAILS WITH HOST BOARD PADS.

| | | | | | | | | |
|-------------|----------------|------------|------------------------|----|----------------|-----------|-----------|----------|
| dr | Wei-Long Zhang | 2012/09/25 | projection | MM | size | A2 | scale | 4:1 |
| eng | Eric Jiang | 2013/04/02 | | | ecn no. | - | rel level | Released |
| chr | - | - | | | product family | CARD EDGE | | |
| appr | Pei-Ming Zheng | 2013/04/02 | | | cat. no. | 10122859 | rev | A |
| www.fci.com | | | Product - Customer Drw | | sheet 4 of 4 | | | |

Copyright FCI. FCI