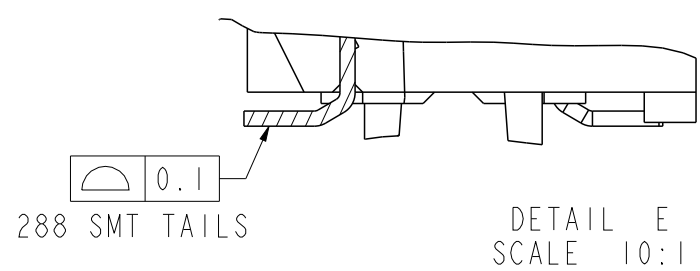
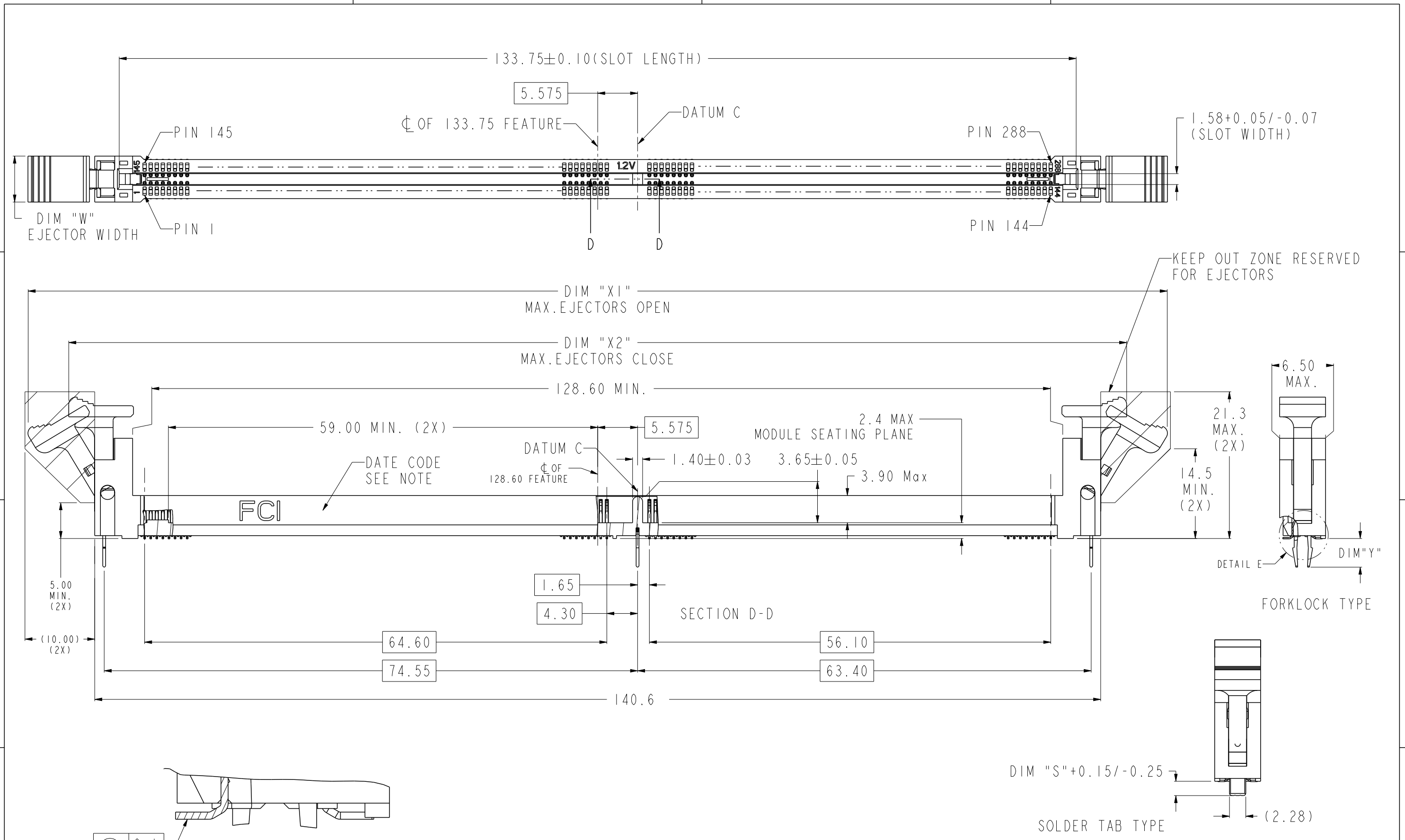


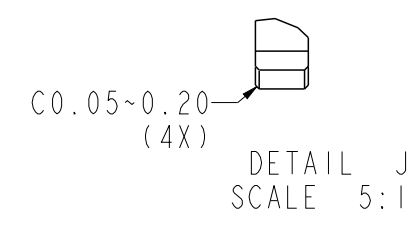
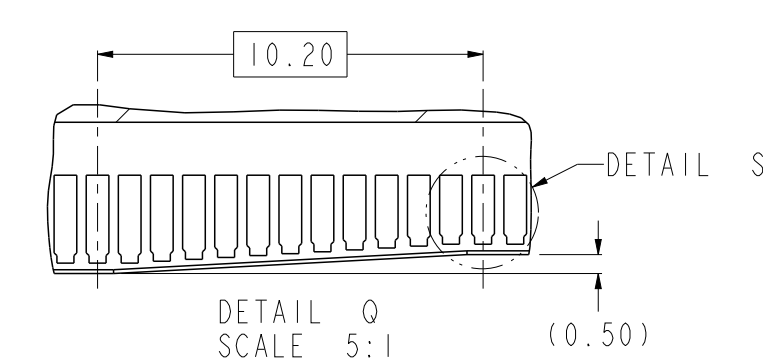
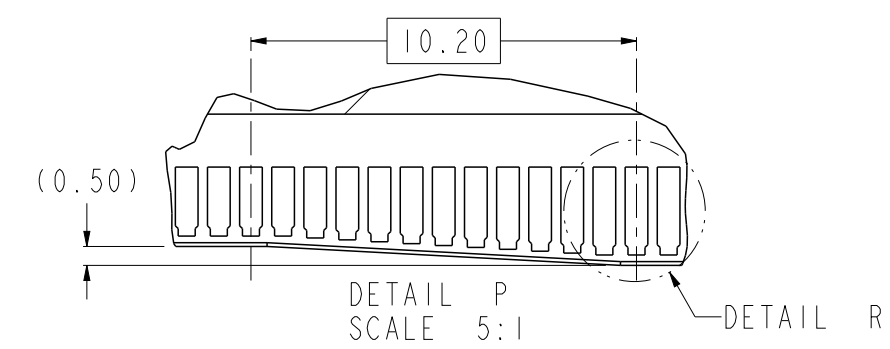
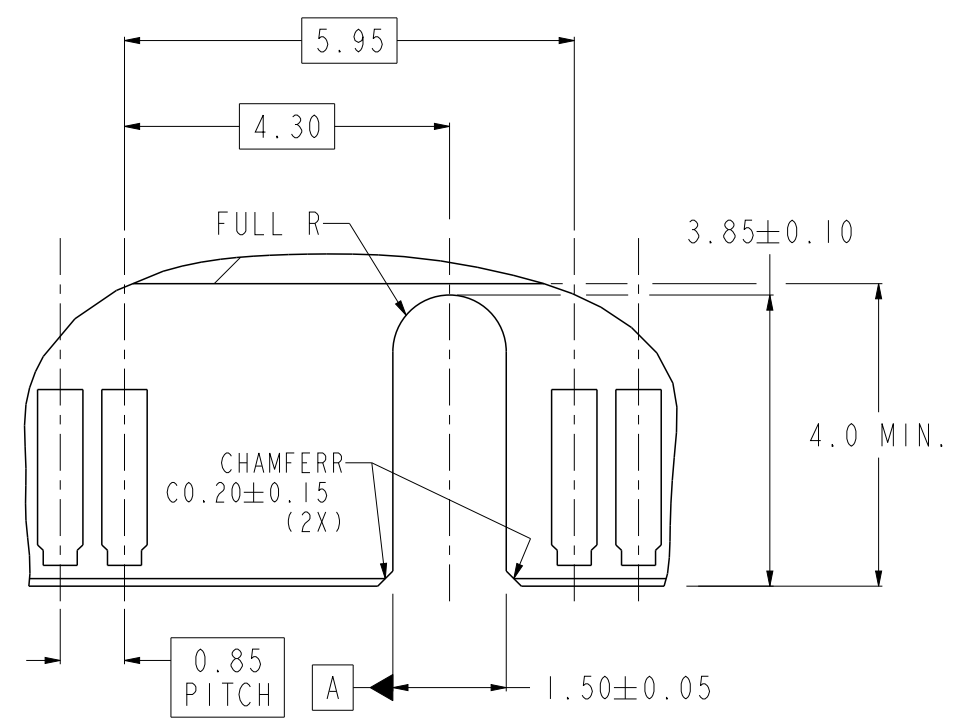
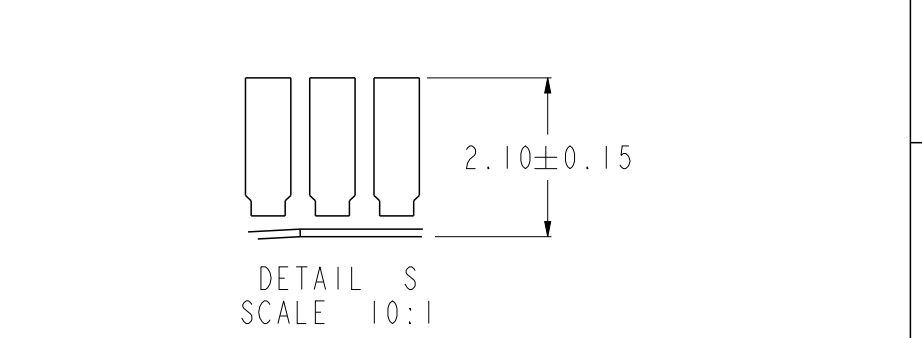
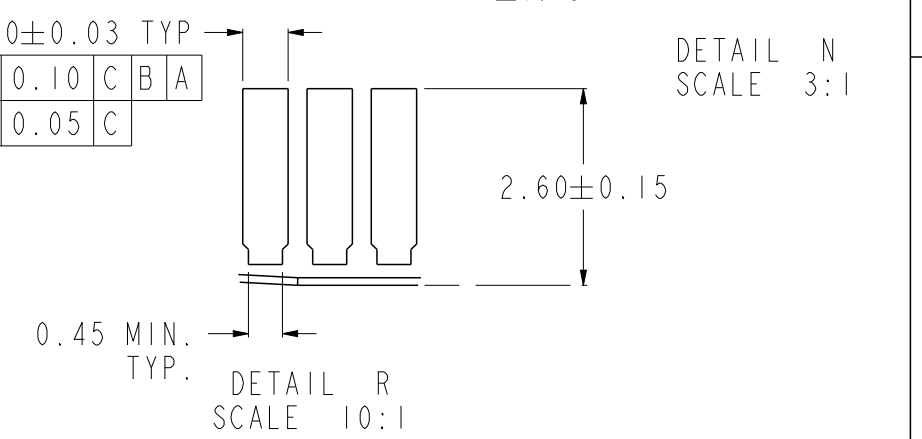
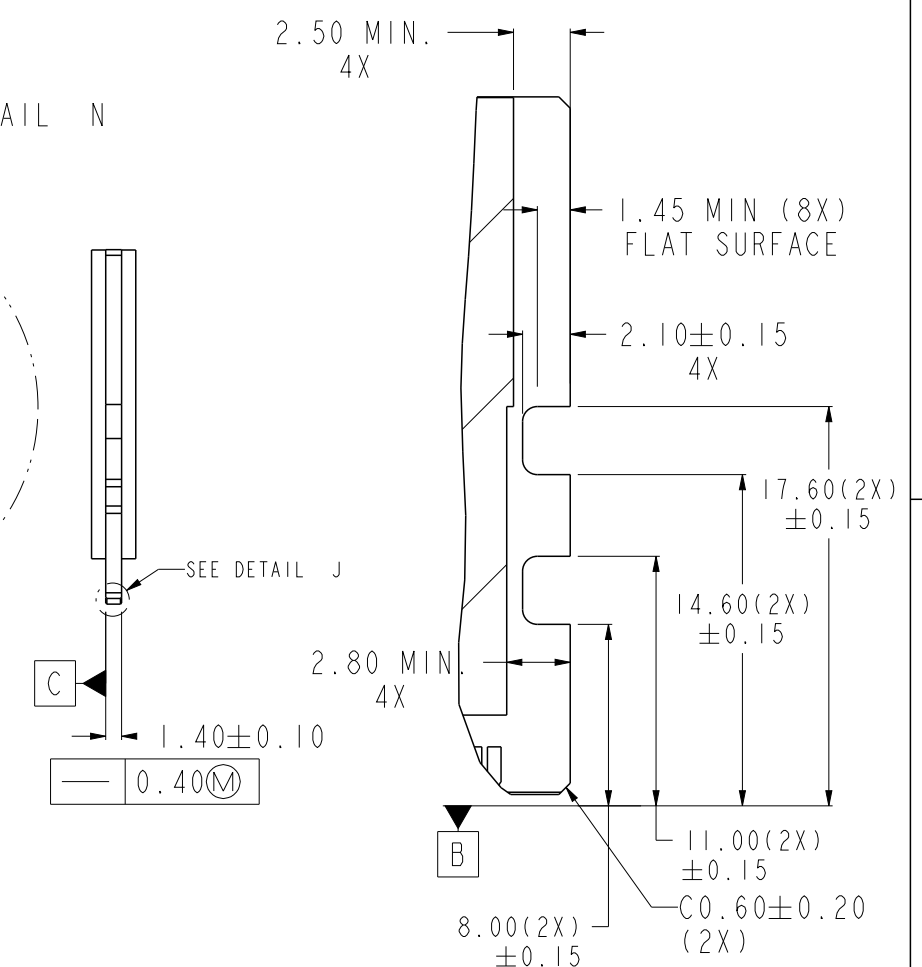
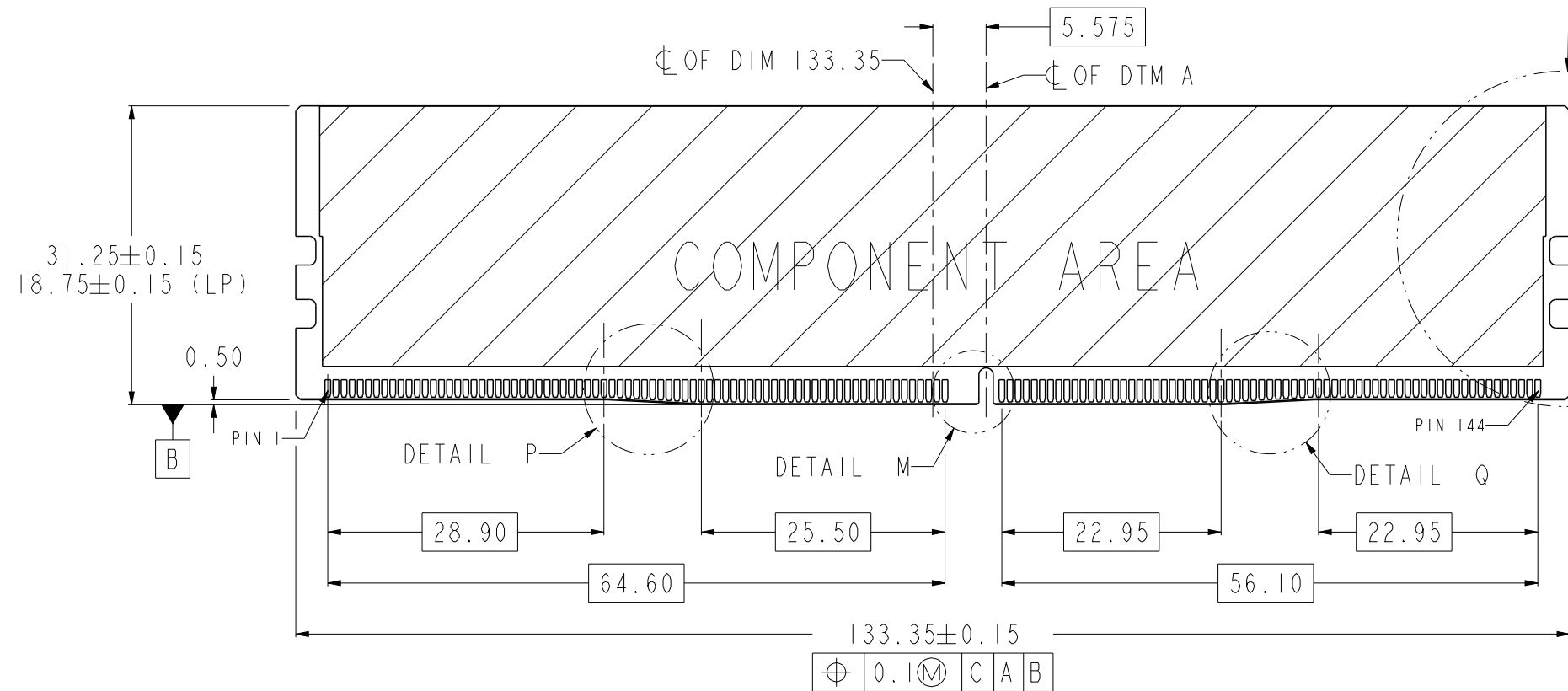
Amphenol
FCi

© 2016 AFCI



| | | | | | | | | | | |
|---------------------------------------|---------------------|-------|------------|-------------------------|-----------------------------|----|--------|----------------|-----------|----------|
| spec ref | - | dr | Nickor Zuo | 2013/05/30 | projection | mm | size | A3 | scale | 1:1 |
| tolerance std | ISO 406 ISO 1101 | eng | Jeny Ren | 2016/05/27 | | | ecn no | ELX-DG-24075-1 | rel level | Released |
| TOLERANCES UNLESS OTHERWISE SPECIFIED | | chr | Nickor Zuo | 2016/05/27 | | | | | | |
| surface | linear | 0.X | ±0.30 | Amphenol FCi | DDR4 288 PIN DIMM CONNECTOR | | dwg no | 10124677 | rev | D |
| | | 0.XX | ±0.20 | | SMT TERMINATION | | | | | |
| | | 0.XXX | ±0.10 | | cat. no. | - | | | | |
| | angular | 0° | ±2° | | | | | | | |

DDR4 MODULE
MORE INFORMATION REFER TO JEDEC MO-309

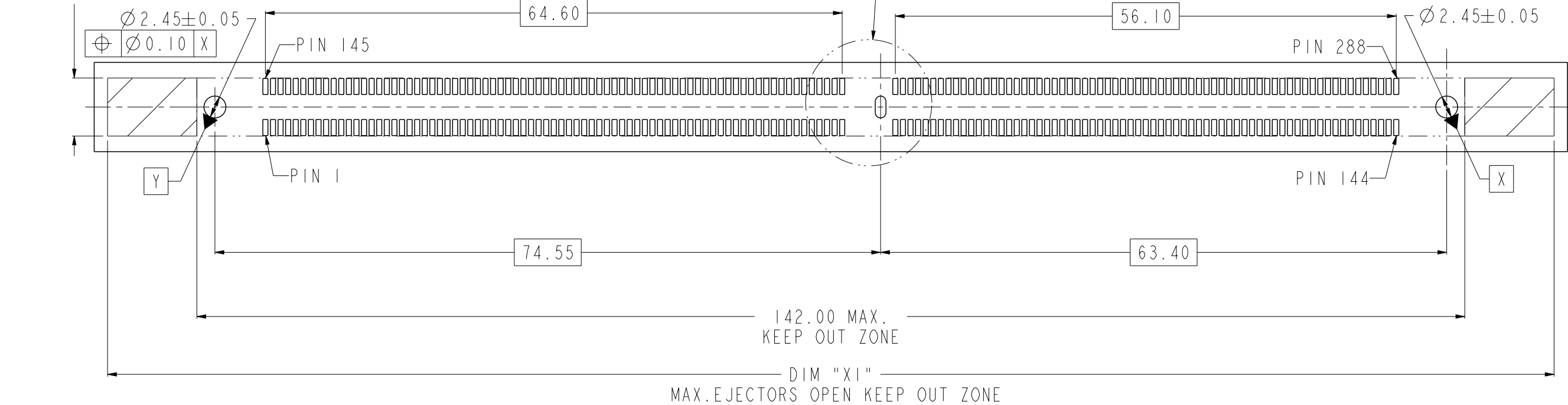


| | | | | | | | | | | | |
|---------------------------------------|---------------------|------|----------------|------------|----------------|-----|------------------------|----------------|-------|-----|---|
| spec ref | - | dr | Nickor Zuo | 2013/05/30 | projection | mm | size | A3 | scale | 3:2 | |
| tolerance std | ISO 406 ISO 1101 | eng | Jeny Ren | 2016/05/27 | | ← → | ecn no | ELX-DG-24075-1 | | | |
| TOLERANCES UNLESS OTHERWISE SPECIFIED | | chr | Nickor Zuo | 2016/05/27 | | | rel level | Released | | | |
| surface | linear | appr | Pei-Ming Zheng | 2016/05/27 | product family | - | dwg no | 10124677 | | rev | D |
| ISO 1302 | angular | | | | cat. no. | - | Product - Customer Drw | sheet 2 of 5 | | | |

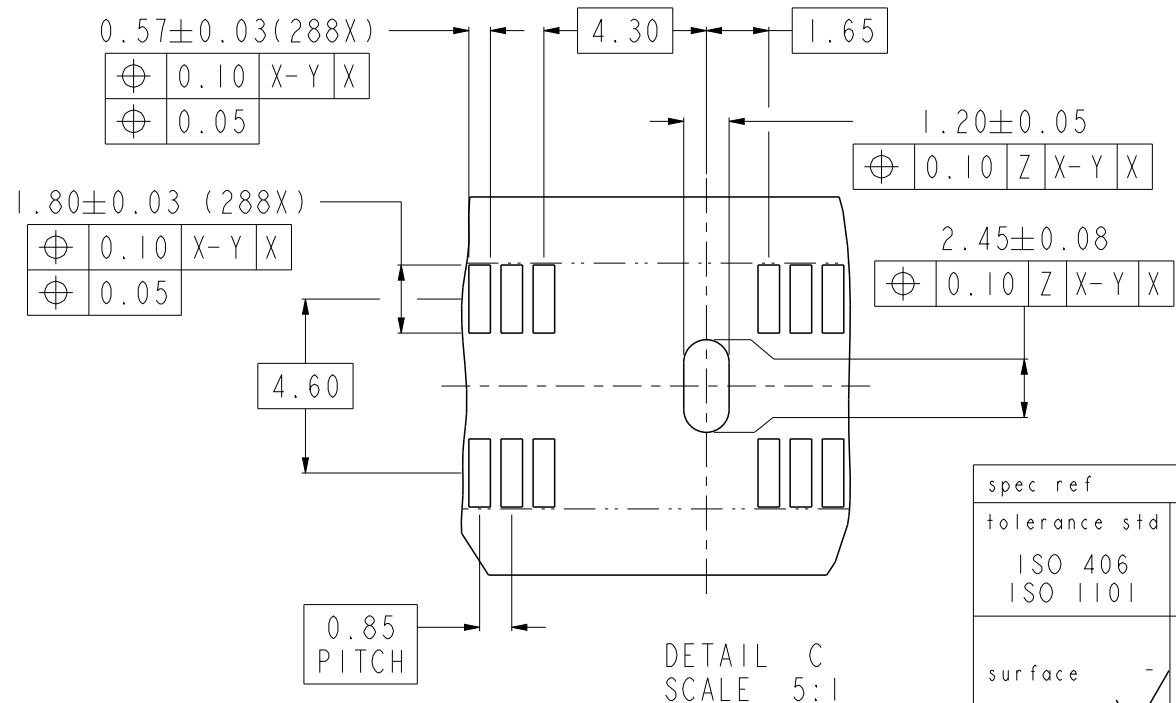
© 2016 AFCI
Amphenol FCI

RECOMMENDED PCB LAYOUT
MORE INFORMATION REFER TO JEDEC SO-017

6.50 MAX.
KEEP OUT ZONE



THICKNESS
1.6~3.2mm



ADDITIONAL NOTES:

1. RECOMMENDED STENCIL THICKNESS IS NOT LESS THAN 0.15mm

| | | | | | | | | | | | |
|---------------|---------------------|--------------|-----------------------------|------------|----------------|----------|-----------|------------------------|--------------|-----|---|
| spec ref | - | dr | Nickor Zuo | 2013/05/30 | projection | mm | size | A3 | scale | 1:1 | |
| tolerance std | ISO 406 ISO 1101 | eng | Jeny Ren | 2016/05/27 | | | ecn no | ELX-DG-24075-1 | | | |
| surface | ISO 1302 | chr | Nickor Zuo | 2016/05/27 | | | rel level | Released | | | |
| | | appr | Pei-Ming Zheng | 2016/05/27 | product family | - | rel level | Released | | | |
| | | Amphenol FCI | DDR4 288 PIN DIMM CONNECTOR | | | dwg no | 10124677 | | | rev | D |
| | | | SMT TERMINATION | | | cat. no. | - | Product - Customer Drw | sheet 3 of 5 | | |

PRODUCT PART NUMBER

10124677-□□□□□□□□

ADDITIONAL REQUIREMENTS

0: DEFAULT

HOLD DOWNS CONFIGURATIONS

- 0: 3 FORKLOCKS, DIM "Y"=4.00±0.25
- 1: 3 FORKLOCKS, DIM "Y"=2.50±0.25
- 2: 3 FORKLOCKS, DIM "Y"=3.78±0.25
- 3: 3 SOLDER TABS, DIM"S"=2.00
- 5: 2 SOLDER TABS AT BOTH END +1 FORKLOCK AT MIDDLE
DIM "Y"=4.00±0.25
- 6: 3 SOLDER TABS, DIM"S"=1.50

MYLAR AND PACKAGE

- 0. WITH MYLAR(LENGTH=30mm),HARD TRAY PACKAGE
- 1. WITH MYLAR(LENGTH=90mm),HARD TRAY PACKAGE
- 2. WITHOUT MYLAR, HARD TRAY PACKAGE
- 3. WITHOUT MYLAR, SPECIFIED HARD TRAY PACKAGE (OMIT FOUR CORNERS)

HOUSING COLOR

- 0: NATURAL
- 1: BLACK
- 2: BLUE

SMT TAIL PLATING

LF: 100u" MIN. MATTE TIN
TL: 100u" MIN. TIN LEAD

CONTACT AREA PLATING

CONTACTS LUBRICATION

- 0: WITHOUT
- 1: WITH

EJECTOR TYPE

| CODE | CONTACT AREA | UNDERPLATING |
|------|---------------|-----------------|
| 1 | 15u" MIN.GOLD | 50u" MIN.NICKEL |
| 3 | 30u" MIN.GOLD | |
| 4 | 30u" MIN.GXT | |
| 5 | 15u" MIN.GXT | 90u" MIN.NICKEL |
| 6 | 30u" MIN.GOLD | |
| 7 | 15u" MIN.GOLD | |

| CODE | COLOR | DIM"X1" MAX.EJECTORS OPEN DISTANCE | DIM"X2" MAX.EJECTORS CLOSE DISTANCE | DIM"W" EJECTOR WIDTH | EJECTOR FIGURE |
|--------|------------|--|---|-------------------------|-------------------|
| 0 | NATURAL | 162.00 | 149.00 | (6.42) | |
| 1 | BLACK | | | | |
| D | BLUE | | | | |
| 3 | NATURAL | 152.00 | 142.00 | (6.42) | |
| 4 | BLACK | | | | |
| S | SEE NOTE 7 | | | | |
| H | GREEN | | | | |
| B | NATURAL | 152.00 | 142.00 | (6.42) | |
| C | BLACK | | | | |
| 6 | NATURAL | 157.00 | 145.00 | (4.00) | |
| 7 | BLACK | | | | |
| E OR J | NATURAL | 155.00 | 145.00 | (6.42) | |
| F OR K | BLACK | | | | |
| U | BLUE | | | | |

| CODE | COLOR | DIM"X1" MAX.EJECTORS OPEN DISTANCE | DIM"X2" MAX.EJECTORS CLOSE DISTANCE | DIM"W" EJECTOR WIDTH | EJECTOR FIGURE |
|------|---------|--|---|-------------------------|-------------------|
| R | NATURAL | 156.00 | 145.00 | (6.42) | |
| P | BLACK | | | | |
| V | BLUE | | | | |

| | | | | | | | | | | |
|---------------------------------------|---------------------|-------|----------------|---------------------|--|----------|-----------|------------------------|--------------|-----------------|
| spec ref | - | dr | Nickor Zuo | 2013/05/30 | projection | | size | A3 | scale | 1:1 |
| tolerance std | ISO 406 ISO 1101 | eng | Jeny Ren | 2016/05/27 | | | ecn no | ELX-DG-24075-1 | | |
| TOLERANCES UNLESS OTHERWISE SPECIFIED | | chr | Nickor Zuo | 2016/05/27 | | | rel level | Released | | |
| | | appr | Pei-Ming Zheng | 2016/05/27 | product family | - | | | | |
| surface | linear | 0.X | ±0.30 | Amphenol FCI | DDR4 288 PIN DIMM CONNECTOR SMT TERMINATION | cat. no. | - | Product - Customer Drw | sheet 4 of 5 | rev D |
| | 0.XX | ±0.20 | | | | | | | | |
| | 0.XXX | ±0.10 | | | | | | | | |
| | angular | 0° | ±2° | | | | | | | |

Amphenol FCI

© 2016 AFCI

PRODUCT PART NUMBER

10124677-□□□□□□□□

ADDITIONAL REQUIREMENTS

1: LOW HALOGEN

HOLD DOWNS CONFIGURATIONS

- 0: 3 FORKLOCKS, DIM "Y"=4.00±0.25
- 1: 3 FORKLOCKS, DIM "Y"=2.50±0.25
- 2: 3 FORKLOCKS, DIM "Y"=3.78±0.25
- 3: 3 SOLDER TABS, DIM"S"=2.00
- 5: 2 SOLDER TABS AT BOTH END +1 FORKLOCK AT MIDDLE
DIM "Y"=4.00±0.25
- 6: 3 SOLDER TABS, DIM"S"=1.50

MYLAR AND PACKAGE

- 0. WITH MYLAR(LENGTH=30mm),HARD TRAY PACKAGE
- 1. WITH MYLAR(LENGTH=90mm),HARD TRAY PACKAGE
- 2. WITHOUT MYLAR, HARD TRAY PACKAGE
- 3. WITHOUT MYLAR, SPECIFIED HARD TRAY PACKAGE (OMIT FOUR CORNERS)

HOUSING COLOR

- 0: NATURAL
- 1: BLACK
- 2: BLUE

EJECTOR TYPE

| CODE | COLOR | DIM"X1" MAX.EJECTORS OPEN DISTANCE | DIM"X2" MAX.EJECTORS CLOSE DISTANCE | DIM"W" EJECTOR WIDTH | EJECTOR FIGURE |
|------|---------|--|---|-------------------------|-------------------|
| 0 | NATURAL | 162.00 | 149.00 | (6.42) | |
| 1 | BLACK | | | | |
| 3 | NATURAL | 152.00 | 142.00 | | |
| 4 | BLACK | | | | |

SMT TAIL PLATING

LF: 100u" MIN. MATTE TIN
TL: 100u" MIN. TIN LEAD

CONTACT AREA PLATING

CONTACTS LUBRICATION

- 0: WITHOUT
- 1: WITH

| CODE | CONTACT AREA | UNDERPLATING |
|------|---------------|-----------------|
| 1 | 15u" MIN.GOLD | 50u" MIN.NICKEL |
| 3 | 30u" MIN.GOLD | |
| 4 | 30u" MIN.GXT | |
| 5 | 15u" MIN.GXT | 90u" MIN.NICKEL |
| 6 | 30u" MIN.GOLD | |
| 7 | 15u" MIN.GOLD | |

NOTES:

1. MATERIALS:
HOUSING: HIGH PERFORMANCE RESINS, GLASS FIBER FILLED, UL94 V-0 RATED.
EJECTOR: HIGH PERFORMANCE RESINS, GLASS FIBER FILLED, UL94 V-0 RATED.
TERMINAL: COPPER ALLOY
FORKLOCK: COPPER ALLOY
SOLDER TAB: COPPER ALLOY
2. STENCIL THICKNESS IS NOT LESS THAN 0.15mm.
3. DATE CODE "MMDDYYL", MMDDYY IS ASSEMBLY DATE, L IS FCI PRODUCTION LINE.
4. SPECIFICATION:
PRODUCTION SPECIFICATION: FCI GS-12-1092.
PACKAGE SPECIFICATION: FCI GS-14-2267.
APPLICATION SPECIFICATION: FCI GS-20-0353.
5. LEAD FREE PRODUCT MEETS EUROPEAN UNION DIRECTIVES AND OTHER COUNTRY REGULATIONS AS DESCRIBED IN FCI GS-22-008.
6. THIS PRODUCT WILL WITHSTAND EXPOSURE TO 260°C PEAK TEMPERATURE FOR 10 SECONDS IN REFLOW SOLDERING APPLICATION.
7. NATURE EJECTOR NEAR PIN 1#+BLACK EJECTOR NEAR PIN 288#

| | | | | | | | | | | | |
|---------------|---------------------|------|----------------|------------|----------------|------------------------|--------------|-----------|----------------|-------|-----|
| spec ref | - | dr | Nickor Zuo | 2013/05/30 | projection | | mm | size | A3 | scale | 1:1 |
| tolerance std | ISO 406 ISO 1101 | eng | Jeny Ren | 2016/05/27 | product family | - | ←→ | ecn no | ELX-DG-24075-1 | | |
| surface | linear | chr | Nickor Zuo | 2016/05/27 | | | | rel level | Released | | |
| | | appr | Pei-Ming Zheng | 2016/05/27 | | | | rev | D | | |
| ISO 1302 | angular | 0° | ±2° | cat. no. | - | Product - Customer Drw | sheet 5 of 5 | | | | |



DDR4 288 PIN DIMM CONNECTOR
SMT TERMINATION

dwg no 10124677

Amphenol FCI

© 2016 AFCI

X-ON Electronics

Largest Supplier of Electrical and Electronic Components

Click to view similar products for [DIMM Connectors](#) category:

Click to view products by [Amphenol](#) manufacturer:

Other Similar products are found below :

[1-1932649-2](#) [1-1761024-0](#) [2309411-5](#) [1932180-2](#) [0783590111](#) [0783590001](#) [0877051053](#) [10079248-11103LF](#) [10086891-052TSLF](#)
[10116658-252ASLF](#) [59355-052FSLF](#) [5390471-1](#) [10074146-13211LF](#) [10079248-10202LF](#) [2309407-3](#) [10033853-052ASLF](#) [87782-6003](#) [KIT-](#)
[SODIMM-1X16GB/01](#) [0780350001](#) [0878030012](#) [75.963AT.G020C](#) [78.B1GDE.AF1](#) [10078239-11103LF](#) [6-390322-1](#) [2013311-1](#) [2309410-1](#)
[10116658-052FSLF](#) [10116658-152FSLF](#) [1-1735438-3](#) [78730-1002](#) [78726-1002](#) [2013310-1](#) [390111-1](#) [1735438-3](#) [78373-0011](#) [2308107-1](#) [2-](#)
[2308107-1](#) [2309411-1](#) [5-1746530-4](#) [2309408-1](#) [2309409-1](#) [2309412-1](#) [151134-0001](#) [2309413-1](#) [296406200001856+](#) [2309407-1](#) [FCN-](#)
[074J240-G/1D](#) [FCN-074B288-G/2D](#) [2309414-1](#) [10081530-12208LF](#)