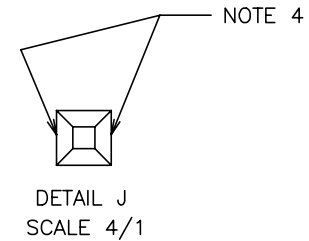
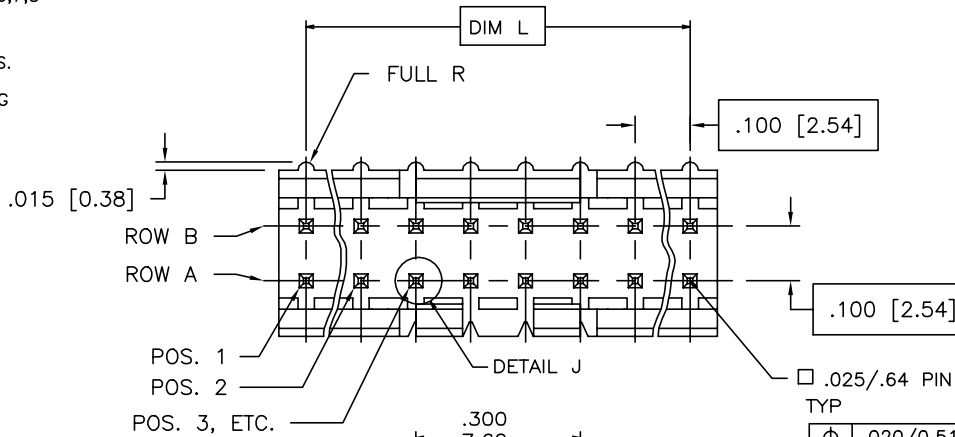


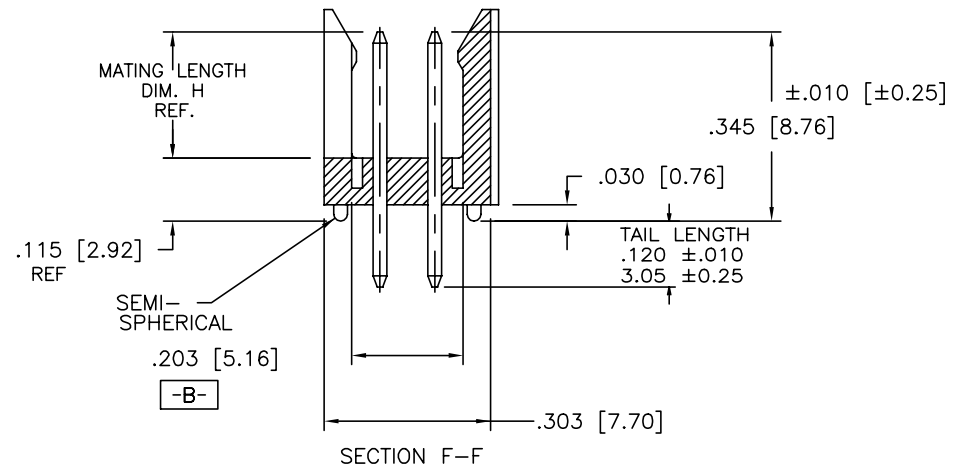
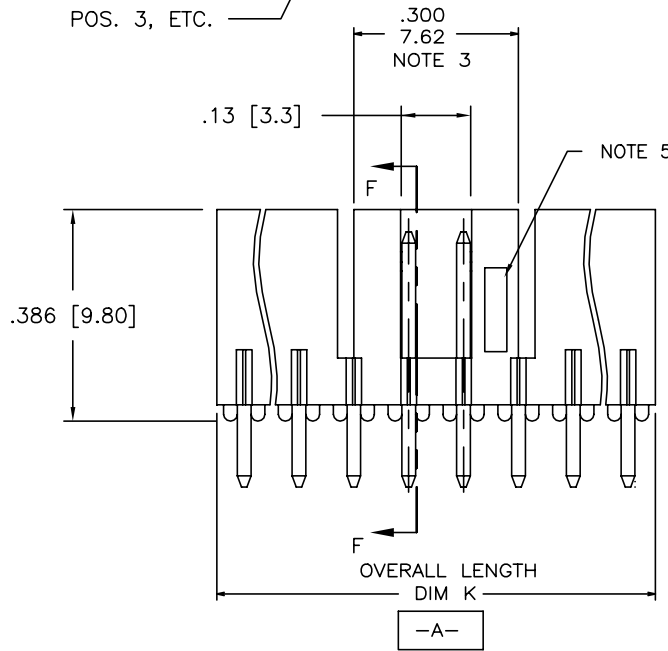
PRODUCT NUMBER
10126114-XYHLF

LEAD FREE OPTION
SEE NOTE 6,7,8

NO. OF POS.
SEE TABLE
PIN PLATING
BASE P/N



□ .025/.64 PIN
TYP
⊕ .020/0.51 (M) A (S) B (S)
AT TIPS
BOTH ENDS



mat'l. code		surface ISO 1302 ✓		tolerance ISO 406 ISO 1101		projection ⊕		product family HEADER	
ltr ecn nldr date		tolerances unless otherwise specified		angles		INCH/MM		title	
A	NEW	ZK	06/14/13	linear	XXX±.01/XXX±.03	scale 3:1		FRICITION LATCH HEADER DOUBLE ROW VERTICAL	
				0°±2'	XXX±.005/XXX±0.13			dwg no 10126114 sheet 1 of 2 size A3	
				dr	ZK HU 06/14/13			type Product Customer Drawing	
				enr	ZK HU 06/14/13				
				chr	RICK BIAN 06/14/13				
				app	RICK BIAN 06/14/13				
sheet index	revision	A	A						
	sheet	1	2						

FCIconnect.com
FCI
Copyright FCI

PRODUCT NUMBER	NO.OF POS.	MATING LENGTH DIM H	OVERALL LENGTH DIM K	DIM L
10126114-X06	2 X 3	0.230/5.84	0.300/7.62	0.200/5.08
-X08	2 X 4	0.230/5.84	0.400/10.16	0.300/7.62
-X10	2 X 5	0.230/5.84	0.500/12.70	0.400/10.16
-X12	2 X 6	0.230/5.84	0.600/15.24	0.500/12.70
-X14	2 X 7	0.230/5.84	0.700/17.78	0.600/15.24
-X16	2 X 8	0.230/5.84	0.800/20.32	0.700/17.78
-X18	2 X 9	0.230/5.84	0.900/22.86	0.800/20.32
-X20	2 X 10	0.230/5.84	1.000/25.40	0.900/22.86
-X22	2 X 11	0.230/5.84	1.100/27.94	1.000/25.40
-X24	2 X 12	0.230/5.84	1.200/30.48	1.100/27.94
-X26	2 X 13	0.230/5.84	1.300/33.02	1.200/30.48
-X28	2 X 14	0.230/5.84	1.400/35.56	1.300/33.02
10126114-X30	2 X 15	0.230/5.84	1.500/38.10	1.400/35.56

NOTES:

- MOLDING MAT'L: GLASS REINFORCED PCT, COLOR: BLACK
FLAME RETARDANT PER UL 94 V-0
MAXIMUM OPERATING TEMPERATURE: 130° C
OR
MINERAL FILLED LCP, COLOR BLACK
FLAME RETARDANT PER UL 94 V-0
- PIN MATERIAL: 3/4 HD PHOS. BRZ.
- NO SLOTS ON 2 X 5 POSITION OR SMALLER PRODUCT. THE CENTER KEY SLOT WILL BE ON ALL HEADERS REGARDLESS OF SIZE.
- TWO NON-CRITICAL SIDES OF PIN TIP NOT PLATED, BOTH ENDS.
- COMPANY LOGO MAY APPEAR IN THIS AREA.
- ADD "HLF" SUFFIX AT THE END OF PART NUMBER FOR LEAD FREE OPTION.
- PART NUMBERS WITH "H" SUFFIX WILL WITHSTAND EXPOSURE TO 260°C PEAK TEMPERATURE FOR 20 SECONDS IN WAVE SOLDER, INFRA-RED OR VAPOR PHASE SOLDER PROCESS.

PART NUMBERS WITHOUT "H" SUFFIX WILL WITHSTAND EXPOSURE TO 260°C PEAK TEMPERATURE FOR WAVE SOLDER PROCESS.
- THIS PRODUCT MEETS EUROPEAN UNION DIRECTIVES AND OTHER COUNTRY REGULATION AS DESCRIBED IN GS-22-008.

PIN PLATING CODES

-1YY	30u"/.76u Au MIN. ON 50u"/1.27u Ni
-2YY	15u/.38u Au MIN. ON 50u"/1.27u Ni

mat'l. code		surface ISD 1302 ✓	tolerance ISD 406 ISD 1101	projection 	product family HEADER
ltr	ecr	ndr	date	tolerances unless otherwise specified	
A				angles linear	INCH/MM
				0'±2'	scale 3:1
				dr	ZK HU 06/14/13
				enr	ZK HU 06/14/13
				chr	RICK BIAN 06/14/13
				appd	RICK BIAN 06/14/13
sheet index	revision sheet				
				title FRICION LATCH HEADER DOUBLE ROW VERTICAL	
				dwg no 10126114	
				sheet 2 of 2 size A3	
				type Product Customer Drawing	

X-ON Electronics

Largest Supplier of Electrical and Electronic Components

Click to view similar products for [Headers & Wire Housings](#) category:

Click to view products by [Amphenol](#) manufacturer:

Other Similar products are found below :

[95000-104TRLF](#) [10135584-644402LF](#) [DF62W-EP2022PCA](#) [95000-106TRLF](#) [DF62W-2022SCA](#) [DF62W-EP2022PC](#) [2203348](#) [DF62W-2022SC](#) [1084018](#) [1029039](#) [1084017](#) [802-10-012-10-002000](#) [1112640](#) [1112639](#) [891-007-9SS-BST1T](#) [000-34000](#) [0008550134](#) [0009482033](#) [0009507031](#) [57102-F02-18ULF](#) [57102-S06-03LF](#) [57202-S52-04LF](#) [PCN6-15S-2.5E](#) [0039019024](#) [58102-G61-06LF](#) [582553-1](#) [0009485154](#) [0009508121](#) [009176003701906](#) [0022285053](#) [0050291907](#) [018731A](#) [LY20-4P-DT1-P1E-BR](#) [02.125.8002.8](#) [60101931](#) [60598-1 \(Cut Strip\)](#) [M1625-3R/100](#) [61062-3](#) [61082-181009](#) [CSU011177004](#) [636-1427](#) [638009-1](#) [641938-9](#) [641991-4](#) [644168-1](#) [644827-2](#) [647662-1](#) [65039-019ELF](#) [65692-001LF](#) [65781-018](#)