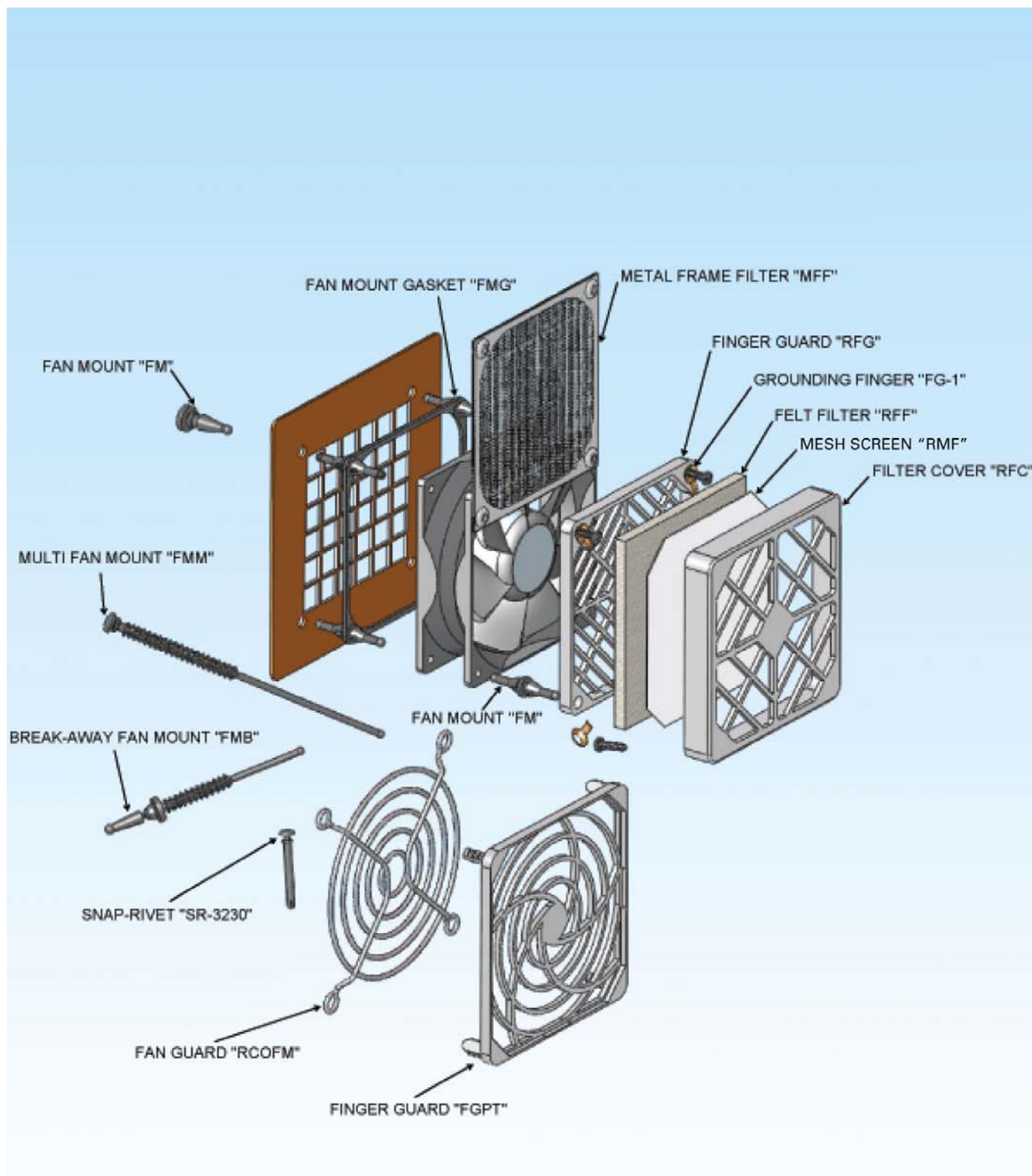
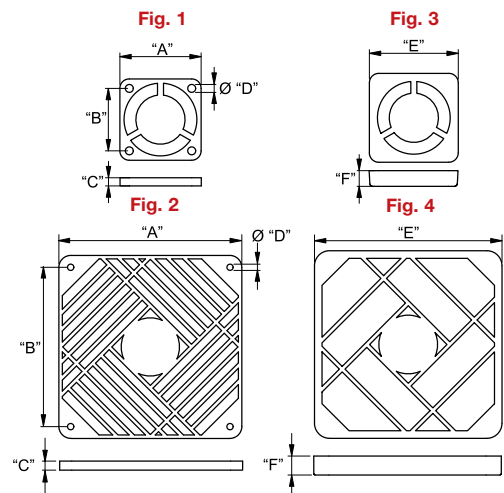
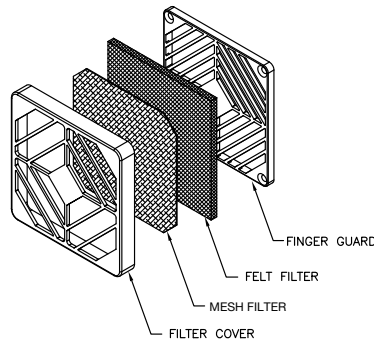
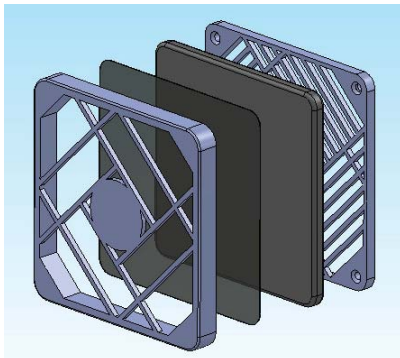


TYPICAL FAN ASSEMBLY



RCP/RFG/RFC/RFF/RMF Fan Filters



Features

- Filter set (RCP) provides IP30 protection

*Filter Set Part No.	Finger Guard					Filter Cover (not sold separately, reference only)					
	Finger Guard Part No.	"A"	"B"	"C"	"D" Hole Ø Min.	Fig.	Filter Cover Part No.	"E"	"F"	Fig.	
RCP-040-T	RFG-040-T	43	32.2	4.3	4.1	1	RFC-040-T	46.5	8.4	3	
RCP-060-T	RFG-060-T	60.5	50.1	6			2	RFC-060-T	64.9		12.5
RCP-080-T	RFG-080-T	80.6	71.8					RFC-080-T	84.8		
RCP-092-T	RFG-092-T	92.3	82.4					RFC-092-T	96.9		
RCP-120-T	RFG-120-T	120.6	105.5					6.2	RFC-120-T		

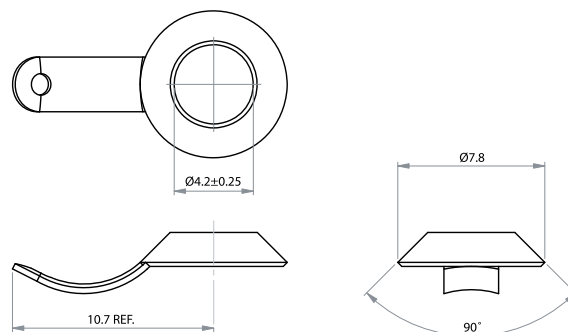
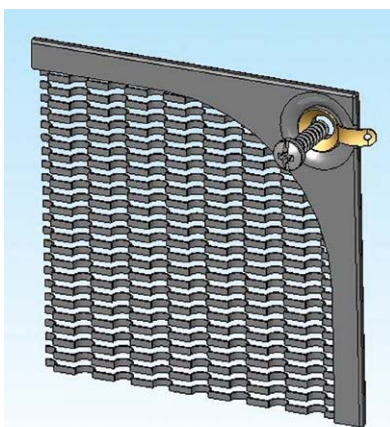
*Filter Set includes finger guard, filter cover, mesh filter and felt filter

Material: Filter Cover & Guard: Nylon 6/6 25% Glass Filled UL94 V0, RMS-27 Color: Black;
Felt Filter: Polyester, RMS-28 Color: White;
Mesh Filter: Stainless Steel AISI 304, RMS-29

	40 x 40	60 x 60	80 x 80	92 x 92	120 x 120
Finger Guard Only	RFG-040-T (160 per Bag)	RFG-060-T (60 per Bag)	RFG-080-T (30 per Bag)	RFG-092-T (20 per Bag)	RFG-120-T (30 per Bag)
*Filter Set	RCP-040-T (50 per Box)	RCP-060-T (20 per Box)	RCP-080-T (10 per Box)	RCP-092-T (10 per Box)	RCP-120-T (10 per Box)
Felt Filter Only	RFF-040-T (10 per Bag)	RFF-060-T (10 per Bag)	RFF-080-T (10 per Bag)	RFF-092-T (10 per Bag)	RFF-120-T (10 per Bag)
Mesh Filter Only	RMF-040-T (10 per Bag)	RMF-060-T (10 per Bag)	RMF-080-T (10 per Bag)	RMF-092-T (10 per Bag)	RMF-120-T (10 per Bag)

Available by special order only.

FG-1 Grounding Finger



FG-1

Material: 0.3 Thick Brass, RMS-373; Tin Plated, RMS-246

Standard Pack: 1,000 per bag

Features

- Helps to eliminate static electricity that is created when air passes through a metallic filter

X-ON Electronics

Largest Supplier of Electrical and Electronic Components

Click to view similar products for [Circuit Board Hardware - PCB category](#):

Click to view products by [Richco manufacturer](#):

Other Similar products are found below :

[8919-0-00-15-00-00-03-0](#) [0132-0-15-01-30-27-04-0](#) [0135-0-15-01-30-27-04-0](#) [5970-1-15-01-32-14-04-0](#) [0132-0-15-15-30-27-04-0](#) [0135-0-15-15-30-27-04-0](#) [0149-0-15-15-30-27-04-0](#) [MBI 1 BLUE](#) [7305-0-15-15-47-14-10-0](#) [MKU 1 BLACK](#) [MLN 150/1 BLACK](#) [8579-0-15-80-11-27-10-0](#) [8579-1-15-15-11-27-10-0](#) [8637-0-15-15-21-14-10-0](#) [8830-0-15-01-22-14-10-0](#) [8836-0-00-21-00-00-03-0](#) [PRUEF 2 RED](#) [9976-0-00-00-00-00-03-0](#) [1178-0-01-80-00-00-03-0](#) [PW1616](#) [1215-3-05-00-00-00-01-0](#) [1303-0-15-15-47-14-04-0](#) [1404-3](#) [1404-4](#) [1406-4](#) [1407-3](#) [1406-3](#) [1407-4](#) [1408-3](#) [1424-4](#) [1426-3](#) [1427-3](#) [1427-4](#) [1428-3](#) [1419-4](#) [1424-3](#) [1426-4](#) [1428-4](#) [MPS 1 BLACK](#) [1520150-1](#) [1548-103](#) [1801-0-15-15-30-27-04-0](#) [1938-0-00-00-00-00-03-0](#) [1942-0-00-00-00-00-03-0](#) [2101-3-00-44-00-00-07-0](#) [2104-2-01-44-00-00-07-0](#) [2108-2-00-50-00-00-07-0](#) [2108-3-00-44-00-00-07-0](#) [2109-2-00-44-00-00-07-0](#) [2110-2-00-44-00-00-07-0](#)