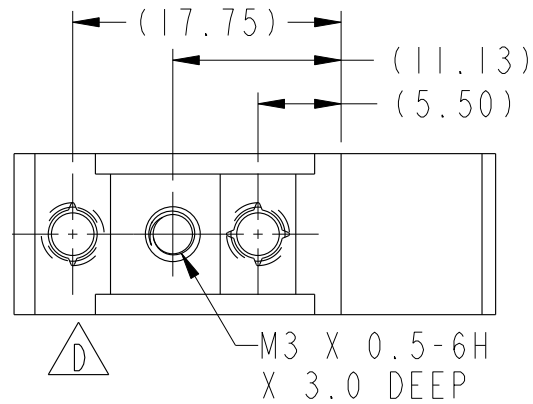
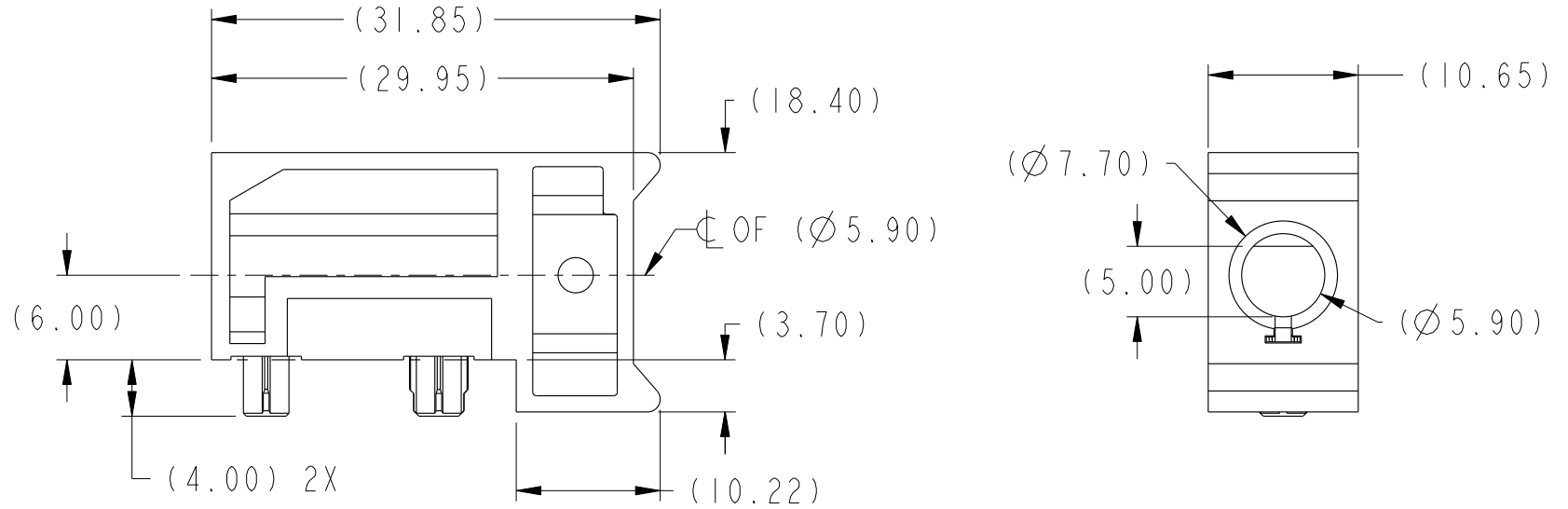


PRODUCT NUMBER

10084609-111LF



Copyright FCI.

| rev | ecn no   | dr | date       |
|-----|----------|----|------------|
| A   | S08-0174 | CH | 2008-06-02 |
| B   | S08-0187 | CH | 2008-06-13 |
| C   | S08-0336 | CH | 2008-10-13 |
| D   | S10-0118 | YK | 2010-06-02 |
| -   | -        | -  | -          |
| -   | -        | -  | -          |
| -   | -        | -  | -          |

|                                       |           |  |                                   |                  |
|---------------------------------------|-----------|--|-----------------------------------|------------------|
| www.fciconnect.com                    |           | surface 3.200<br>ASME Y14.5                              | tolerance std<br>ASME Y14.5       | projection<br>MM |
| TOLERANCES UNLESS OTHERWISE SPECIFIED |           | ANGULAR  | LINEAR                            | size A4          |
| Dr                                    | C. H. TAN | 2008-06-02   | 0.X ±.3                           | Scale 1:1        |
| Eng                                   | Y. K. LIM | 2010-06-02   | 0.XX ±.10                         | ECN S10-0118     |
| Chr                                   | C. H. TAN | 2010-06-02   | 0.XXX ±.050                       | Spec ref         |
| Appr                                  | JOEY NG   | 2010-06-02   | Product family AirMax Accessories |                  |
| FCI                                   |           | title 10.8mm GUIDE MODULE HOUSING<br>WITH KEYING OPTIONS |                                   | dwg no 10084609  |
| catalog no                            |           | CUSTOMER   |                                   | Rev. D           |
|                                       |           | sheet 1 of 3   |                                   |                  |

1

2

3

4

A

B

C

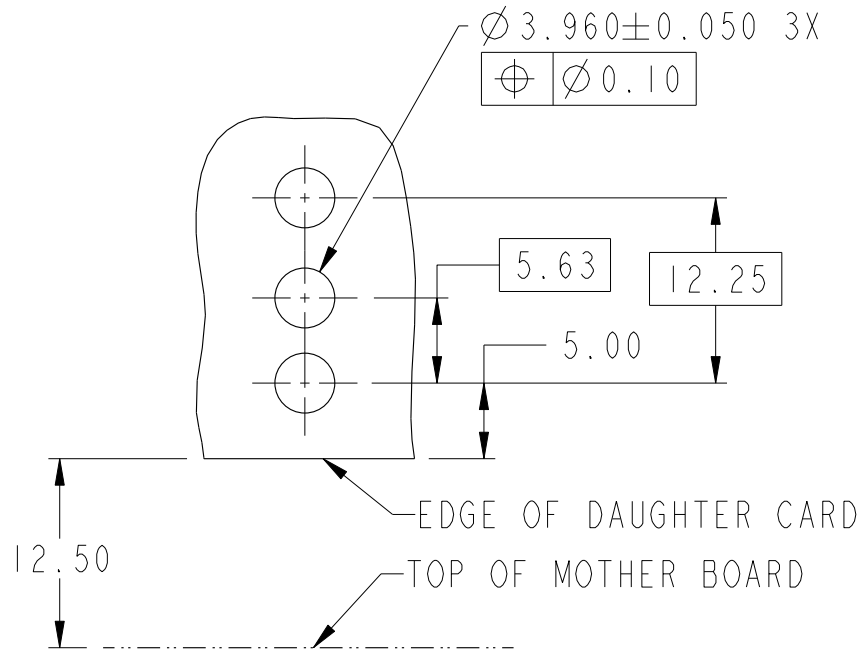
D

A

B

C

D



SCALE 2:1

RECOMMENDED PCB LAYOUT NOTES 4 & 5



Copyright FCI.



|   |                    |           |
|---|--------------------|-----------|
| title<br>10.8mm GUIDE MODULE HOUSING<br>WITH KEYING OPTIONS | dwg no<br>10084609 | Rev.<br>D |
|   |                    |           |

REV E - 2006-03-28

2

PDM: Rev:D

STATUS:Released

4Printed: Dec 01, 2010

1

2

3

4

A

B

C

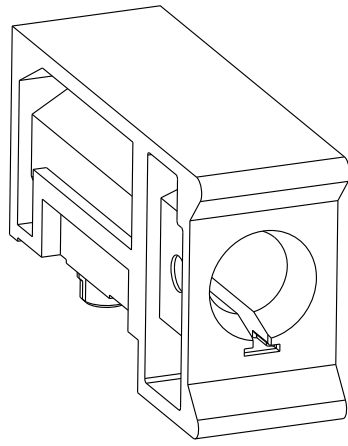
D


A

B

C

D



- ①. MATERIAL: ZINC ALLOY
- ②. FINISH: TRIVALENT CHROMATE IRIDESCENT
- 3. APPLICATION SPEC: GS-20-045
- ④. THRU HOLE PLATING AND ANNULAR RINGS MUST BE ADDED AS APPROPRIATE FOR APPLICATIONS WITH THE ESD GROUNDING OPTION. FINISHED HOLE SIZE IS THE SAME REGARDLESS OF PLATED BARREL OR NOT
- ⑤. REFER TO CUSTOMER DRAWING 10035911 FOR INFORMATION REGARDING PCB LAYOUT OF POWER AND GUIDE MODULES RELATIVE TO SIGNAL MODULES
- 6. THIS PRODUCT MEETS EUROPEAN UNION DIRECTIVES AND OTHER COUNTRY REGULATIONS AS DESCRIBED IN GS-22-008.
- 7. PACKAGING MEETS GS-14-920 LEAD FREE LABELING SPECIFICATION.
- 8. A  SYMBOL WILL BE NEXT TO ANY DIMENSION, VIEW OR NOTE WHICH HAS BEEN MODIFIED WITH THE CURRENT DRAWING REVISION



Copyright FCI.

|   |   |                    |              |
|---|---|--------------------|--------------|
|  | title<br>10.8mm GUIDE MODULE HOUSING<br>WITH KEYING OPTIONS | dwg no<br>10084609 | Rev.<br>D    |
|   | catalog no<br>-   | CUSTOMER           | sheet 3 of 3 |

## X-ON Electronics

Largest Supplier of Electrical and Electronic Components

*Click to view similar products for [High Speed/Modular Connectors](#) category:*

*Click to view products by [FCT Electronics](#) manufacturer:*

Other Similar products are found below :

[2332816-1](#) [89006-1137LF](#) [650827-1](#) [65762-001LF](#) [73474-201LF](#) [74040-1346](#) [74075-0267](#) [88911-201LF](#) [9514M0C20D](#) [1410191-1](#)  
[1410337-1](#) [1410368-3](#) [1410964-2](#) [1410326-3](#) [1410367-3](#) [1410971-4](#) [1467833-1](#) [2000877-1](#) [2000878-1](#) [2041314-1](#) [2065387-1](#) [2187307-1](#)  
[2187462-1](#) [2226278-6](#) [KA81-07](#) [91290-101LF](#) [1934290-1](#) [2000875-1](#) [2065917-1](#) [2102736-2](#) [FSR-40](#) [2169868-2](#) [2226279-2](#) [22354-8](#) [437-](#)  
[5040-000](#) [5-1393565-0](#) [532449-3](#) [532803-2](#) [34745-0001](#) [0740618502](#) [0760151403](#) [0760551105](#) [0760551608](#) [0761451128](#) [0761651124](#)  
[0761655108](#) [0761659807](#) [0769853208](#) [0736440217](#) [0758324203](#)