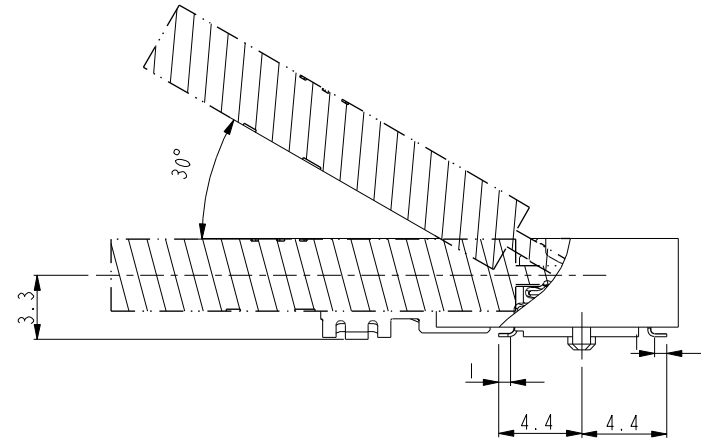
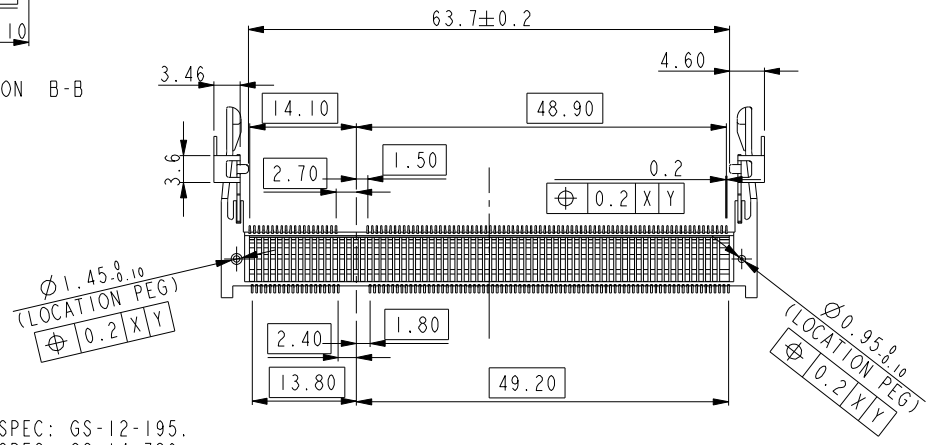
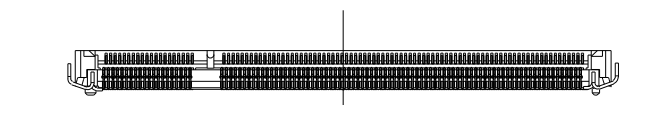
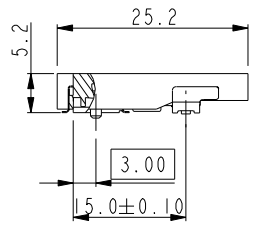
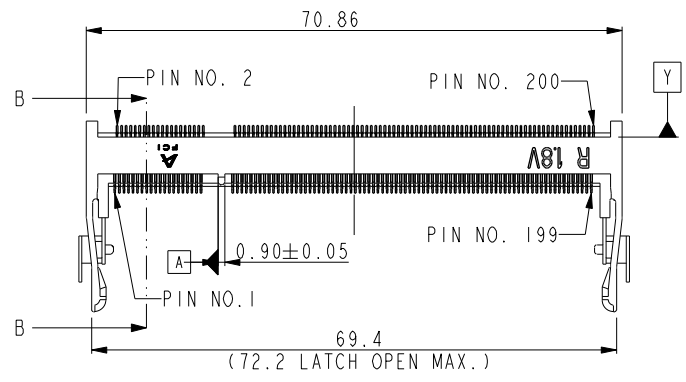




Copyright FCI.



- NOTE:
1. PRODUCT SPEC: GS-12-195.
  2. PACKAGE SPEC: GS-14-786.
  3. MATERIAL  
HOUSING: LCP, UL94V-0, BLACK COLOR.  
CONTACT: COPPER ALLOY  
HOLDDOWN: BRASS
  4. FINISH  
TERMINAL :SEE TABLE  
HOLDDOWN: SEE TABLE
  5. COPLANARITY: 0.1MAX. (INCLUDING HOLDDOWN)
  6. THIS PRODUCT MEETS EUROPEAN UNION DIRECTIVES AND OTHER COUNTRY REGULATIONS AS DESCRIBED IN GS-22-008.
  7. THE HOUSING WILL WITHSTAND EXPOSE TO 260° PEAK TEMPERATURE FOR 10 SECENDS IN WAVE SOLDER APPLICATION.
  8. A  $\Delta$  SYMBOL WILL BE NEXT TO ANY DIMENSION, VIEW, OR NOTE WHICH HAS BEEN MODIFIED WITH THE CURRENT DRAWING REVISION.

rev	ecn no	dr	date
A	DG08-0107	J W	05/05/08
B	DG08-0204	B L	09/09/08

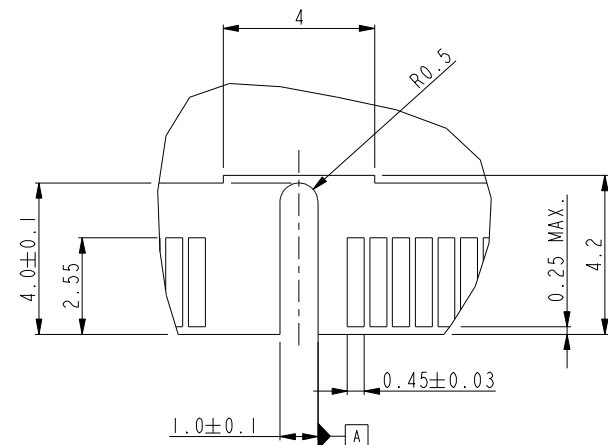
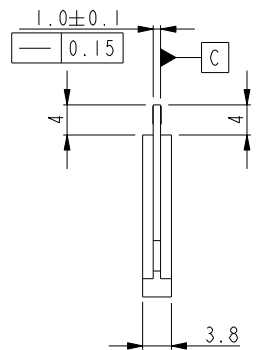
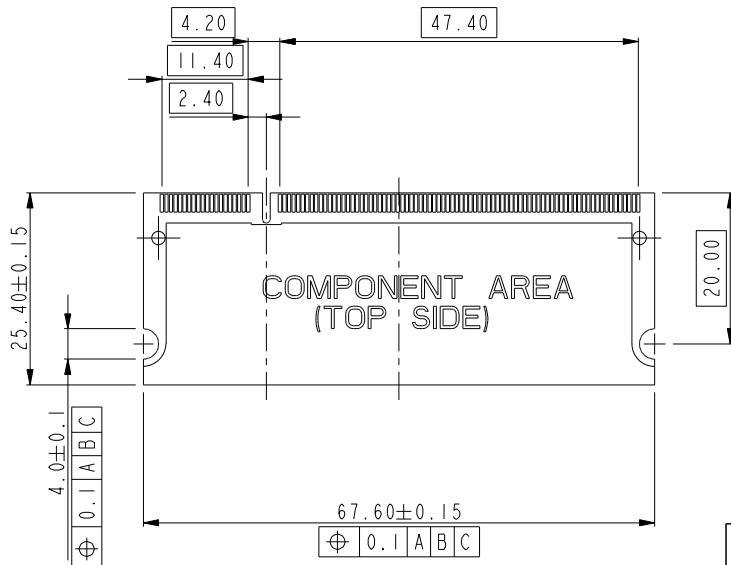
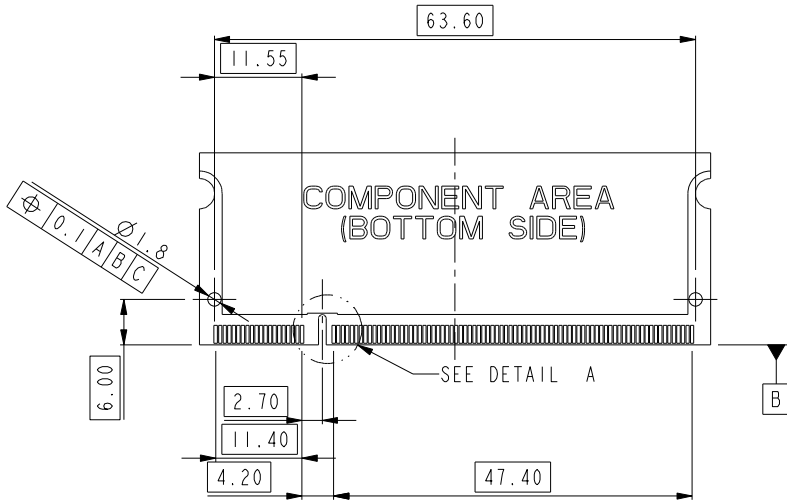
www.fciconnect.com			surface <input checked="" type="checkbox"/>	tolerance std	projection	MM
TOLERANCES UNLESS OTHERWISE SPECIFIED			ANGULAR	LINEAR	size A4	Scale 1.000
Dr	JULIA WANG	05/05/08	0° ± 2°	0.X ± 0.3	ECN	DG08-0204
Eng	JULIA WANG	05/05/08	0.XX ± 0.10	0.XXX ± 0.05	Spec ref	*
Chr	GARY HSIEH	05/05/08	Product family			
Appr	JOSEPH HSIA	05/05/08				
FCI			title	dwg no		Rev.
			DDR2 0.6mm PITCH 200 POS.	10086891		B
			REVERSE TYPE ASS'Y	CUSTOMER		sheet 1 of 4
			catalog no			

REV F - 2006-04-17



Copyright FCI.

A  
B  
C  
D



DETAIL A  
SCALE 5.000

REV F - 2006-04-17

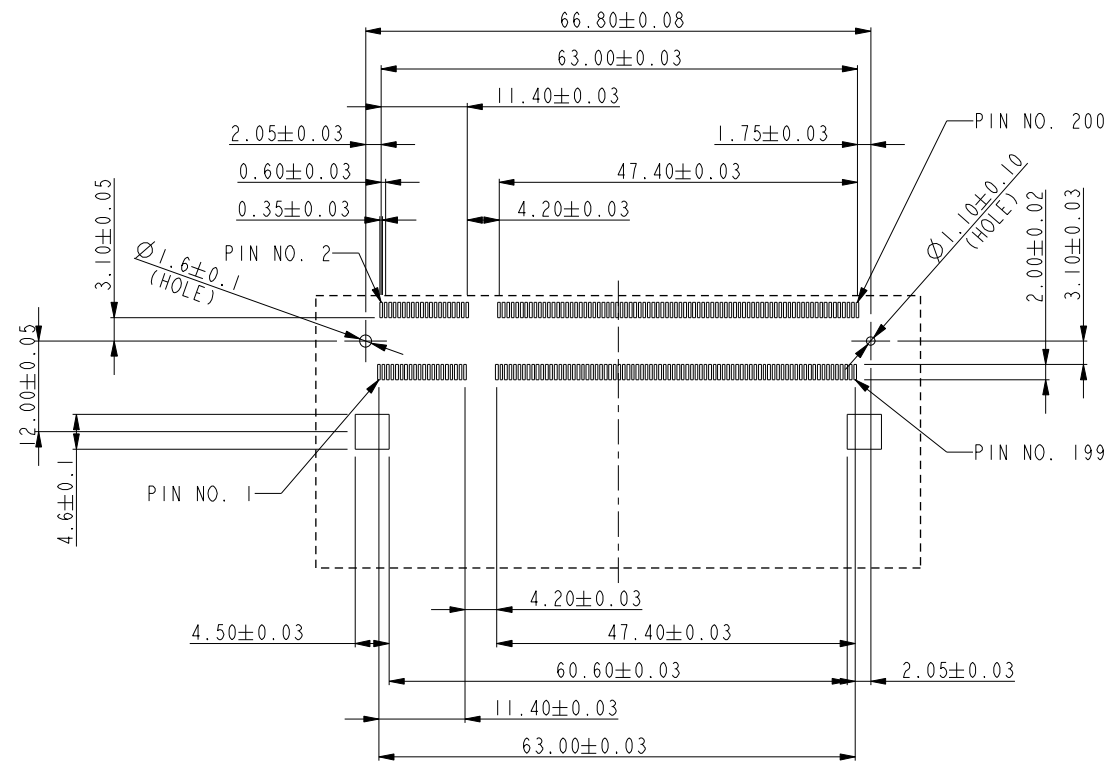


title DDR2 0.6mm PITCH 200 POS.  
REVERSE TYPE ASS'Y

dwg no 10086891

Rev. B

catalog no \* CUSTOMER sheet 2 of 4



RECOMMENDED MOUNTING P.C.B LAYOUT

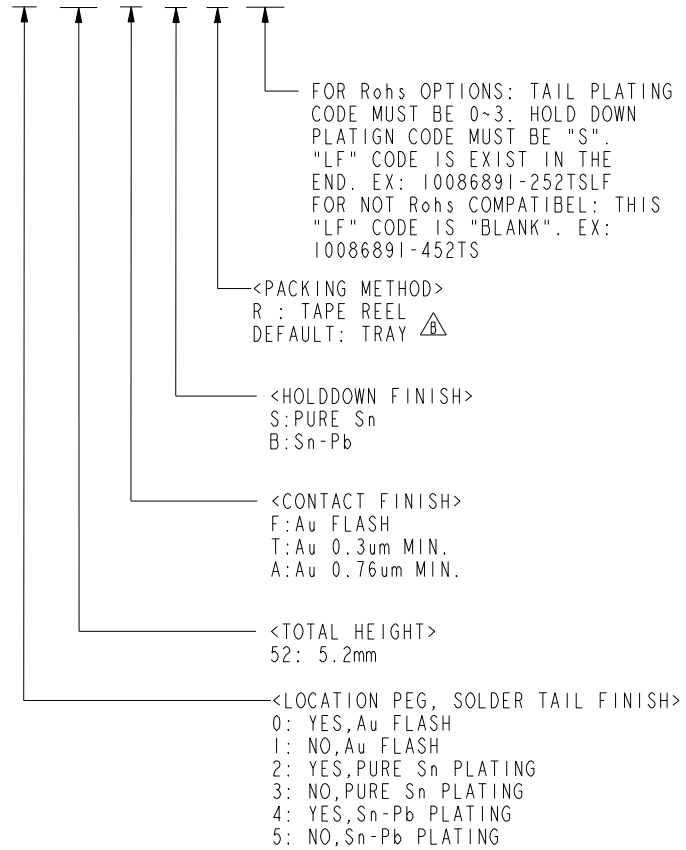


Copyright FCI.

www.fciconnect.com		surface <input checked="" type="checkbox"/>	tolerance std	projection
TOLERANCES UNLESS OTHERWISE SPECIFIED				
Dr		ANGULAR	0.X ±	size A4
Eng	JULIA WANG	LINEAR	0.XX ±	Scale 1.000
Chr		0° ±°	0.XXX ±	ECN DG08-0204
Appr		Product family	Spec ref *	
	title	DDR2 0.6mm PITCH 200 POS. REVERSE TYPE ASS'Y		Rev. B
	catalog no	*	CUSTOMER	sheet 3 of 4

PRODUCT NO.	LOCATION PEG	TERMINAL CONTACT AREA FINISH	HOLD DOWN FINISH	SOLDER TAIL FINISH								
10086891-052FSLF	YES	Au FLASH	PURE Sn PLATING	Au FLASH								
10086891-152FSLF	NO											
10086891-052TSLF	YES	Au 0.3um MIN.			PURE Sn PLATING	Au FLASH						
10086891-052TSRLF	△ YES											
10086891-152TSLF	NO											
10086891-052ASLF	YES	Au 0.76um MIN.					PURE Sn PLATING	Au FLASH				
10086891-052ASRLF	△ YES											
10086891-152ASLF	NO											
10086891-052FB	YES	Au FLASH							Sn-Pb PLATING	Au FLASH		
10086891-152FB	NO											
10086891-052TB	YES		Au 0.3um MIN.	Sn-Pb PLATING							Au FLASH	
10086891-152TB	NO											
10086891-052AB	YES	Au 0.76um MIN.			Sn-Pb PLATING	Au FLASH						
10086891-152AB	NO											
10086891-252FSLF	YES		Au FLASH									PURE Sn PLATING
10086891-352FSLF	NO											
10086891-252TSLF	YES	Au 0.3um MIN.	PURE Sn PLATING				PURE Sn PLATING					
10086891-352TSLF	NO											
10086891-252ASLF	YES							Au 0.76um MIN.	PURE Sn PLATING	PURE Sn PLATING		
10086891-352ASLF	NO											
10086891-252FB	YES	Au FLASH		Sn-Pb PLATING							PURE Sn PLATING	
10086891-352FB	NO											
10086891-252TB	YES				Au 0.3um MIN.	Sn-Pb PLATING		Sn-Pb PLATING				
10086891-352TB	NO											
10086891-252AB	YES	Au 0.76um MIN.										Sn-Pb PLATING
10086891-352AB	NO											
10086891-452FS	YES		Au FLASH		PURE Sn PLATING		Sn-Pb PLATING					
10086891-552FS	NO											
10086891-452TS	YES	Au 0.3um MIN.	PURE Sn PLATING						Sn-Pb PLATING			
10086891-552TS	NO											
10086891-452AS	YES			Au 0.76um MIN.						Sn-Pb PLATING	Sn-Pb PLATING	
10086891-552AS	NO											
10086891-452FB	YES	Au FLASH				Sn-Pb PLATING		Sn-Pb PLATING				
10086891-552FB	NO											
10086891-452TB	YES			Au 0.3um MIN.								Sn-Pb PLATING
10086891-552TB	NO											
10086891-452AB	YES	Au 0.76um MIN.			Sn-Pb PLATING		Sn-Pb PLATING					
10086891-552AB	NO											

10086891-X XX X X X LF



Copyright FCI.



title	DDR2 0.6mm PITCH 200 POS.		dwg no	10086891		Rev.	B
	REVERSE TYPE ASS'Y						
catalog no			*	CUSTOMER	sheet 4 of 4		

## X-ON Electronics

Largest Supplier of Electrical and Electronic Components

*Click to view similar products for [DIMM Connectors](#) category:*

*Click to view products by [Amphenol](#) manufacturer:*

Other Similar products are found below :

[1-1932649-2](#) [1-1761024-0](#) [2309411-5](#) [1932180-2](#) [0783590111](#) [0783590001](#) [0877051053](#) [10079248-11103LF](#) [10086891-052TSLF](#)  
[10116658-252ASLF](#) [59355-052FSLF](#) [5390471-1](#) [10074146-13211LF](#) [10079248-10202LF](#) [2309407-3](#) [10033853-052ASLF](#) [87782-6003](#) [KIT-](#)  
[SODIMM-1X16GB/01](#) [0780350001](#) [0878030012](#) [75.963AT.G020C](#) [78.B1GDE.AF1](#) [10078239-11103LF](#) [6-390322-1](#) [2013311-1](#) [2309410-1](#)  
[10116658-052FSLF](#) [10116658-152FSLF](#) [1-1735438-3](#) [78730-1002](#) [78726-1002](#) [2013310-1](#) [390111-1](#) [1735438-3](#) [78373-0011](#) [2308107-1](#) [2-](#)  
[2308107-1](#) [2309411-1](#) [5-1746530-4](#) [2309408-1](#) [2309409-1](#) [2309412-1](#) [151134-0001](#) [2309413-1](#) [296406200001856+](#) [2309407-1](#) [FCN-](#)  
[074J240-G/1D](#) [FCN-074B288-G/2D](#) [2309414-1](#) [10081530-12208LF](#)