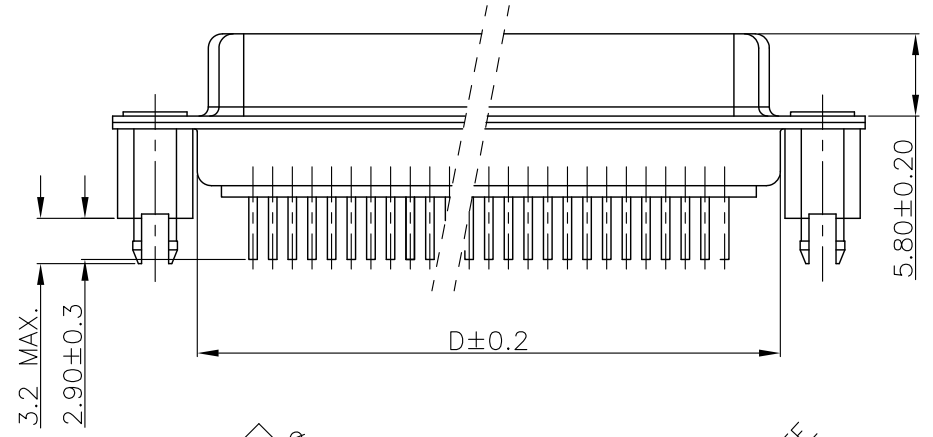


SEE TABLE FOR
THREAD TYPE ▽

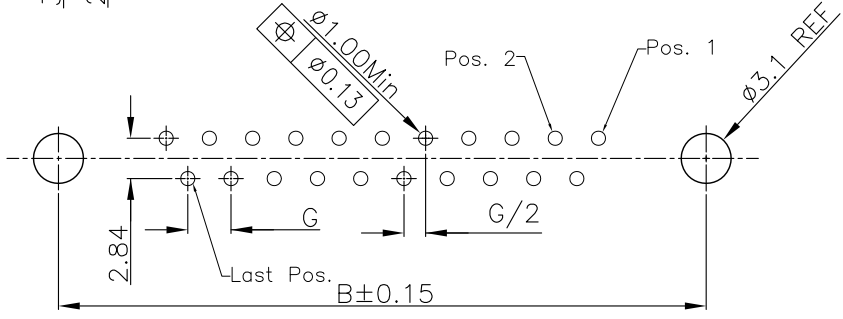
Last Pos.



3.2 MAX.
2.90±0.3

5.80±0.20

D±0.2



P.C.B LAYOUT
t: 1.6±0.1MM

REMARK:

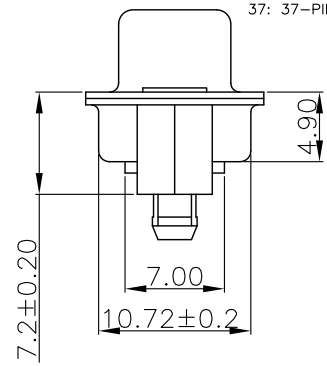
1. CHARACTERISTICS:
 RATED VOLTAGE: 250V
 RATED CURRENT: 5AMP
 CONTACT RESISTANCE: 25mohms MAX. INITIAL; 40mohms MAX. AFTER.
 INSULATION RESISTANCE: 5000Mohms MIN. at 500V DC
 DIELECTRIC STRENGTH: 1000VRMS
 OPERATING TEMPERATURE RANGE: -55°C ~ 105°C
 INSERTION/EXTRACTION FORCE PER CONTACT: 5N Max. / 0.3N Min.
 MATING/UNMATING CYCLES: 50MATINGS MIN.

2. MATERIAL:

- INSULATORS: GLASS-FILLED THERMOPLASTIC UL94V-0, COLOR IN BLACK.
 CONTACTS: COPPER ALLOY, SELECTIVE GOLD ON CONTACT AREA,
 100u" Min MATTE TIN TOP OVER SOLDER AREA,
 30u" Min NICKEL UNDER PLATE.
 SHELL: STEEL, 100u" Min NICKEL TOP OVER,
 50u" Min COPPER UNDER PLATE.
 CLINCH NUT: COPPER ALLOY, 100u" Min MATTE TIN PLATED.

3. PART NUMBER DESCRIPTION: **10090098-S XX X X LF**

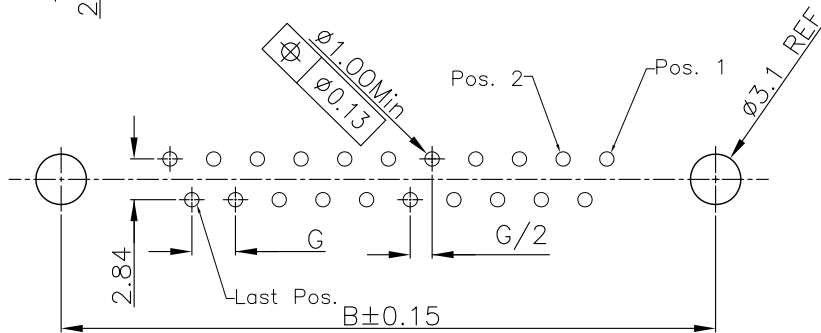
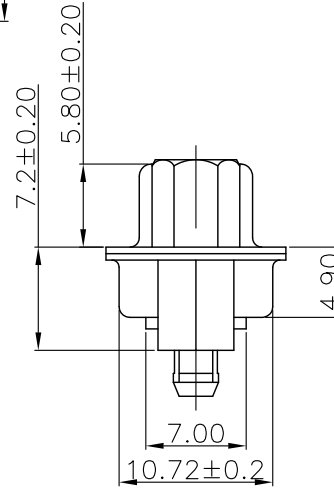
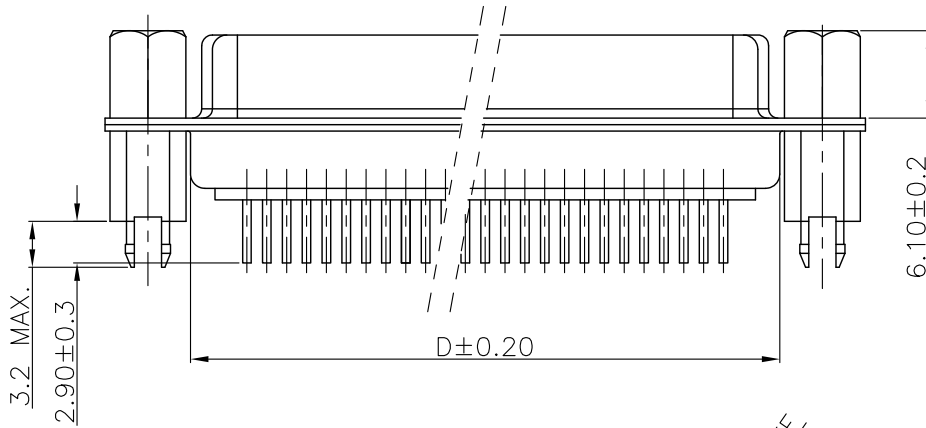
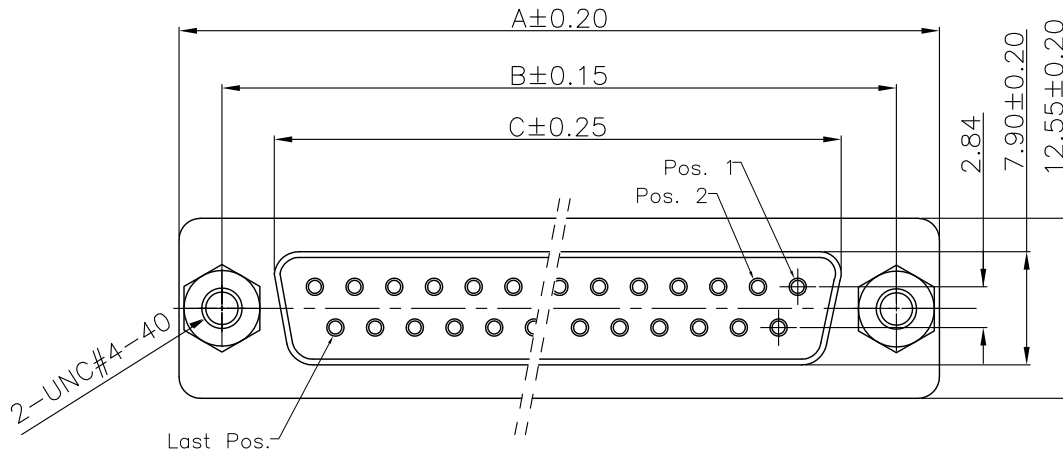
- SERIES NO. _____ LF: ROHS COMPLIANT
 TYPE _____ FLANGE MOUNTING OPTION
 S: SOCKET (FEMALE) X: UNC #4-40 CLINCHNUTS
 L: M3 CLINCHNUTS
 NUMBER OF CONTACTS _____ CONTACT FINISH
 09: 9-PIN 4: GOLD FLASH
 15: 15-PIN 6: 30u" PLATING OPTION
 25: 25-PIN AVAILABLE ON REQUEST
 37: 37-PIN



| POS. | PART NO. | THREAD TYPE |
|------|------------------|-------------|
| 9 | 10090098-S09*LLF | M3X0.5 |
| 15 | 10090098-S15*LLF | M3X0.5 |
| 25 | 10090098-S25*LLF | M3X0.5 |
| 37 | 10090098-S37*LLF | M3X0.5 |
| 9 | 10090098-S09*XLF | UNC 4-40 |
| 15 | 10090098-S15*XLF | UNC 4-40 |
| 25 | 10090098-S25*XLF | UNC 4-40 |
| 37 | 10090098-S37*XLF | UNC 4-40 |

| POS. | A | B | C | D | G |
|------|-------|-------|-------|-------|------|
| 09 | 30.81 | 24.99 | 16.33 | 19.28 | 2.74 |
| 15 | 39.24 | 33.32 | 24.66 | 27.75 | 2.74 |
| 25 | 53.04 | 47.04 | 38.38 | 41.30 | 2.77 |
| 37 | 69.32 | 63.50 | 54.84 | 57.40 | 2.77 |

| | | | | | | | | | | |
|-------------|----------------|-----|----------|---------------------------------------|-------------|----------|---------------|-------------------------------|---------------------------|--------|
| mat'l. code | | | | tolerances unless otherwise specified | | | CUSTOMER COPY | | FCI www.fciconnect.com | |
| ltr | ecn no | dr | date | linear | .X ± 0.38 | | projection | title | | |
| A | T09-1033 | J.H | 3/13/09 | | .XX ± 0.25 | | | D-SUB FEMALE STRAIGHT | | |
| B | T09-1044 | J.H | 4/2/09 | | .XXX ± 0.10 | | | product family D-SUB code TWN | | |
| C | ELX-I-15340 | MP | 07/25/13 | angles | 0° ± 2° | | MM | size | | |
| | | | | dr | JASON HSU | 3/12/09 | | D-SUB | | code |
| | | | | enr | JASON HSU | 3/12/09 | | D-SUB | | code |
| | | | | chr | MITHUN PAUL | 07/25/13 | scale | 10090098 | | sheet |
| | | | | appd | BIJU K PAUL | 07/25/13 | | A4 | | 1 of 2 |
| sheet index | revision sheet | C 1 | C 2 | | | | | | | |



P.C.B LAYOUT
t: 1.6±0.1MM

REMARK:

1. CHARACTERISTICS:

RATED VOLTAGE: 250V
RATED CURRENT: 5AMP
CONTACT RESISTANCE: 25mohms MAX. INITIAL; 40mohms MAX. AFTER.
INSULATION RESISTANCE: 5000Mohms MIN. at 500V DC
DIELECTRIC STRENGTH: 1000VRMS
OPERATING TEMPERATURE RANGE: -55°C~105°C
INSERTION/EXTRACTION FORCE PER CONTACT: 5N Max. /0.3N Min.
MATING/UNMATING CYCLES: 50MATINGS MIN.

2. MATERIAL:

INSULATORS: GLASS-FILLED THERMOPLASTIC UL94V-0, COLOR IN BLACK.
CONTACTS: COPPER ALLOY, SELECTIVE GOLD ON CONTACT AREA,
100u" Min MATTE TIN TOP OVER SOLDER AREA,
30u" Min NICKEL UNDER PLATE.
SHELL: STEEL, 100u" Min NICKEL TOP OVER,
50u" Min COPPER UNDER PLATE.
CLINCH NUT: COPPER ALLOY, 100u" Min MATTE TIN PLATED.
SCREW LOCK: COPPER ALLOY, 100u" Min BRIGHT NICKEL PLATED.

3. PART NUMBER DESCRIPTION: 10090098-S XX X X LF

SERIES NO. LF: ROHS COMPLIANT
TYPE FLANGE MOUNTING OPTION
S: SOCKET (FEMALE) v: UNC #4-40 SCREWLOCKS
NUMBER OF CONTACTS CONTACT FINISH
09: 9-PIN 4: FLASH GOLD
15: 15-PIN 6: 30u" PLATING OPTION AVAILABLE
25: 25-PIN ON REQUEST
37: 37-PIN

| POS. | PART NO. | A | B | C | D | G |
|------|------------------|-------|-------|-------|-------|------|
| 09 | 10090098-S09*VLF | 30.81 | 24.99 | 16.33 | 19.28 | 2.74 |
| 15 | 10090098-S15*VLF | 39.24 | 33.32 | 24.66 | 27.75 | 2.74 |
| 25 | 10090098-S25*VLF | 53.04 | 47.04 | 38.38 | 41.30 | 2.77 |
| 37 | 10090098-S37*VLF | 69.32 | 63.50 | 54.84 | 57.40 | 2.77 |

| | | | | | | | | | | |
|-------------|----------------|----|------|---------------------------------------|----------------------|------------|-----------------------|----------|---------------------------|--|
| mat'l. code | | | | tolerances unless otherwise specified | | | CUSTOMER COPY | | FCI www.fciconnect.com | |
| ltr | ecn no | dr | date | linear | .X ± 0.38 | projection | title | | | |
| c | | | | | .XX ± 0.25 | | D-SUB FEMALE STRAIGHT | | | |
| | | | | angles | .XXX ± 0.10 | | | | | |
| | | | | | 0° ± 2° | | product family | | code | |
| | | | | dr | JASON HSU 3/12/09 | | D-SUB | | TWN | |
| | | | | enr | JASON HSU 3/12/09 | size | | sheet | | |
| | | | | chr | MITHUN PAUL 07/25/13 | dwg no | | 2 of 2 | | |
| | | | | appd | BIJU K PAUL 07/25/13 | scale | | | | |
| sheet index | revision sheet | | | | | A4 | | 10090098 | | |

X-ON Electronics

Largest Supplier of Electrical and Electronic Components

Click to view similar products for [D-Sub Standard Connectors](#) category:

Click to view products by [Amphenol](#) manufacturer:

Other Similar products are found below :

[DCM37S732N](#) [DAM15P500](#) [DEV09S364GTLF](#) [DEM09P032N](#) [DDM50P732N](#) [DAM15S332N](#) [173109-2218](#) [173109-2466](#) [173109-2436](#)
[173109-2435](#) [56F706-005-LI](#) [56F711-015](#) [015-0341-000](#) [015-0372-008](#) [015-8544-011](#) [017041-0005](#) [020419-0104](#) [012-0515-000](#) [012-9507-](#)
[034](#) [012-9507-114](#) [012-9534-001](#) [020745-0008](#) [609-25P](#) [M24308/2-23Z](#) [M243082310F](#) [M243082410F](#) [M243082411F](#) [M24308/4-21](#)
[CT1A18-11PSA206](#) [CT1N36-5SC](#) [CT2-16S-17PS](#) [CT2-20-15PCAU](#) [CT2-24-12PS](#) [CT2-24-28PSF127A206](#) [CT2-32-9PC](#) [CT6F9767-14-4-](#)
[14S-5PC](#) [CT6FA10SL-4PS](#) [CT7-18-10SC](#) [CT7-18-10SCAU](#) [CT7-18-12SCAU](#) [CT7-18-1PC](#) [CT7-18-1PCAU](#) [CT7-18-21SCAU](#) [M83513/01-](#)
[FC](#) [M83723/76W24619 L/C](#) [M85049/48-3-2F](#) [69001-865](#) [6STD09PCM99B70X](#) [6STD09SCM99B30X](#) [6STD09SCT99S40X](#)